

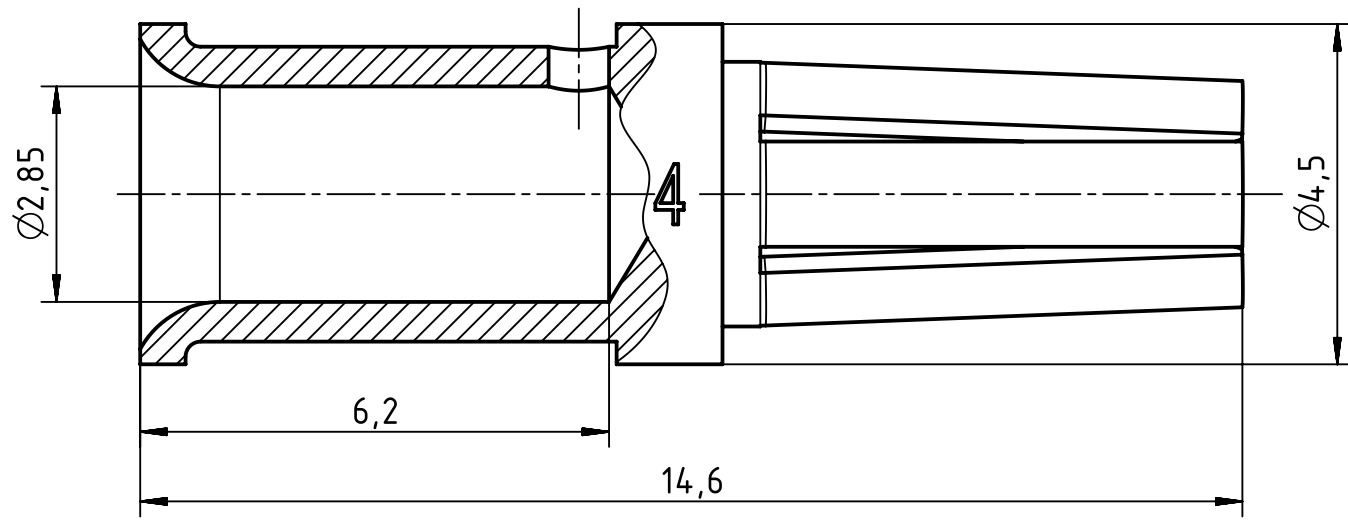
1 2 3 4 5 6

A

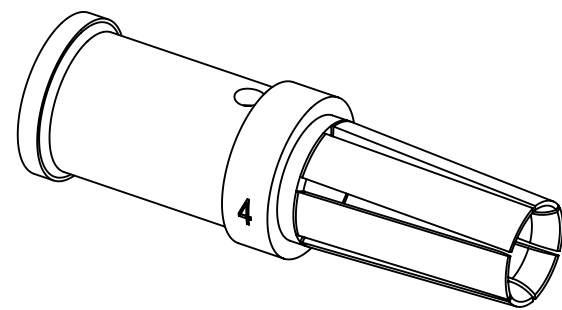
B


C

D



wire gauge: 4mm<sup>2</sup> / AWG 12  
 stripping length 6,5mm  
 coating: silver plated



	All Dimensions in mm Original Size DIN A4		Scale 10:1	Free size tol.		Ref.	
	All rights reserved Department EL PD - DE		Created by HOLLERT	Inspected by RIEPE	Standardisation TIEMANNA	Date 2013-11-28	State Final Release
HARTING Electric GmbH & Co. KG D-32339 Espelkamp		Title Han-Yellock Crimp contact female 4mm <sup>2</sup>				Doc-Key / ECM-Nr. 100188831/UGD/006/E 500000068615	
		Type TB	Number 11 05 000 6208			Rev. E	Page 1/1