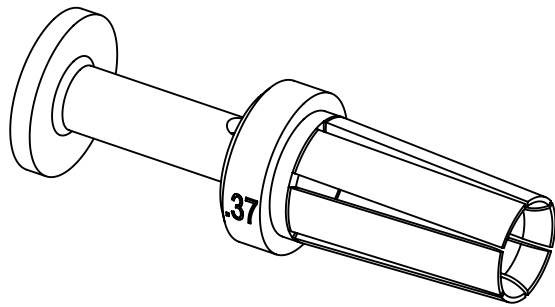



wire gauge: 0,37 mm² / AWG 22
 stripping length: 6,5 mm
 coating: silver plated



	All Dimensions in mm Original Size DIN A4		Scale 10:1	Free size tol.		Ref.	
	All rights reserved Department EL PD - DE		Created by HOLLERT	Inspected by RIEPE	Standardisation TIEMANNA	Date 2013-11-28	State Final Release
HARTING Electric GmbH & Co. KG D-32339 Espelkamp			Title Han-Yellock Crimp contact female 0.37mm ²			Doc-Key / ECM-Nr. 100189029/UGD/006/E 500000068615	
			Type TB	Number 11 05 000 6201		Rev. E	Page 1/1