

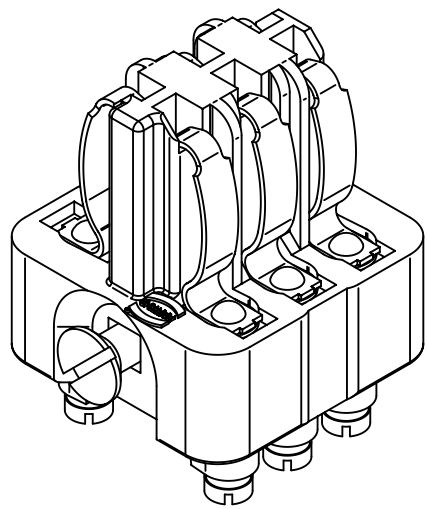
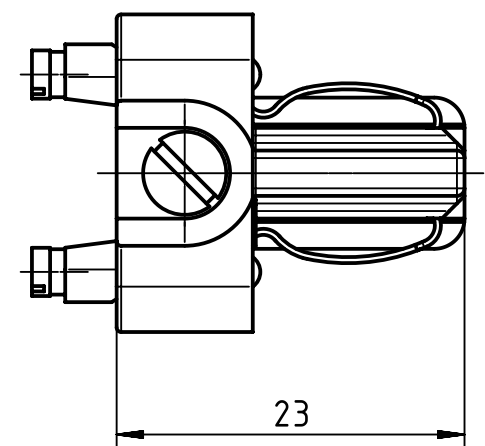
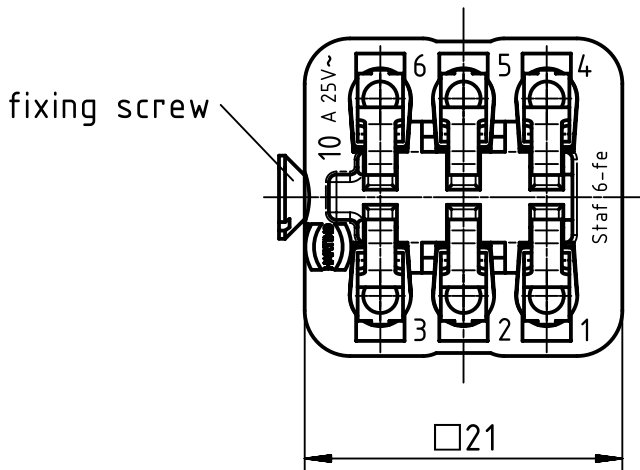
1 2 3 4 5 6

A

B

C

D



	All Dimensions in mm Original Size DIN A4		Scale 2:1	Free size tol.		Ref.	
						Sub.	
	All rights reserved		Created by FINKEV	Inspected by MOOR	Standardisation SCHMIDTM	Date 2015-07-06	State Final Release
	Department EL PD - DE		Title Staf 06 Pos. F Insert Screw			Doc-Key / ECM-Nr. 100131681/UGD/004/A 500000091203	
HARTING Electric GmbH & Co. KG D-32339 Espelkamp			Type TB	Number 09 70 006 2813		Rev. A	Page 1/1