

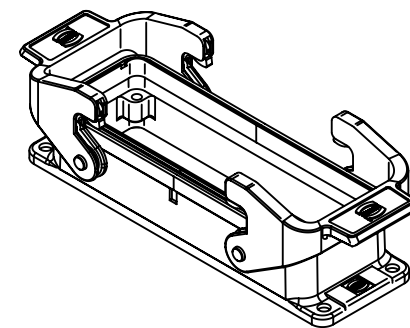
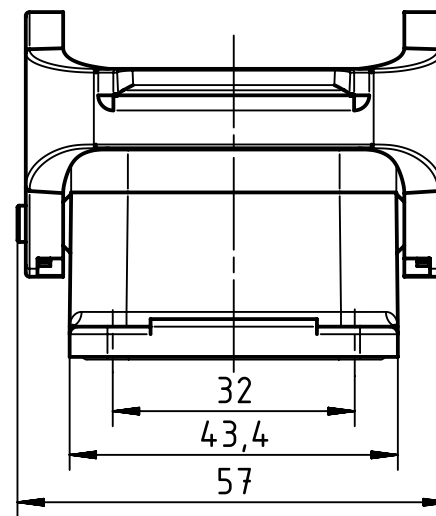
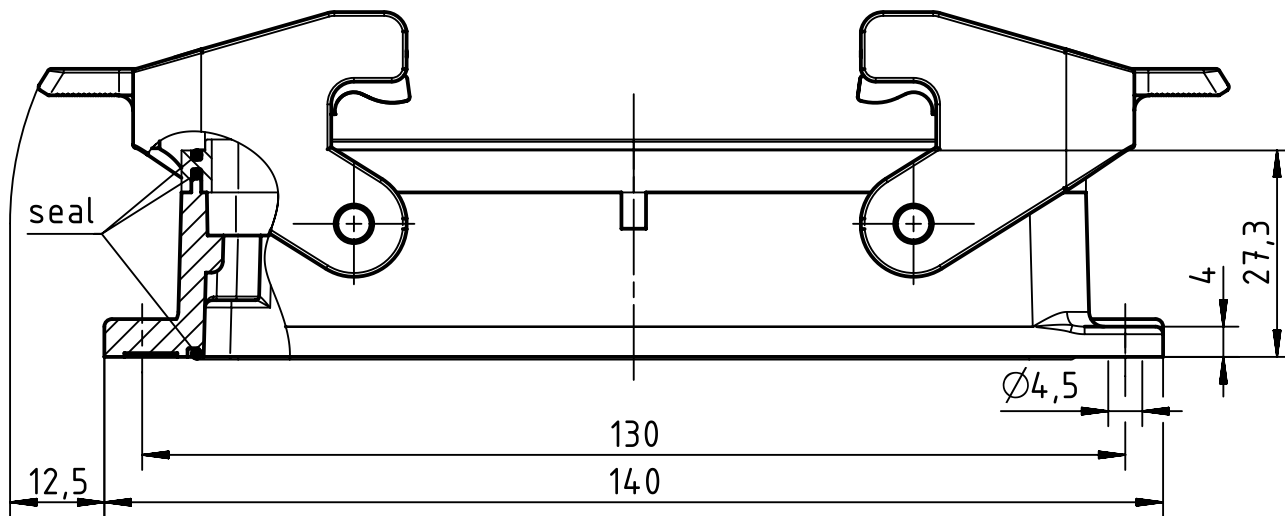
1 2 3 4 5 6

A

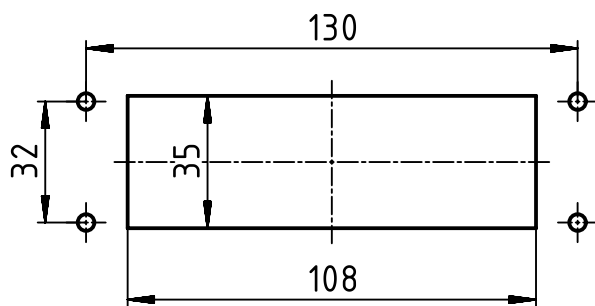
B


C

D



(1:2) panel cut out



	All Dimensions in mm Original Size DIN A4		Scale 1:1		Free size tol.		Ref.			
	All rights reserved Department EL PD - DE		Created by PRIESTER		Inspected by SCHNIEDER		Standardisation TIEMANNA			
HARTING Electric GmbH & Co. KG D-32339 Espelkamp			Title Han EMC/B 24 Base Panel				Date 2014-04-25		State Final Release	
			Type TB		Number 09 62 824 0301			Doc-Key / ECM-Nr. 100197753/UGD/004/A 500000074001		
						Rev. A		Page 1/1		