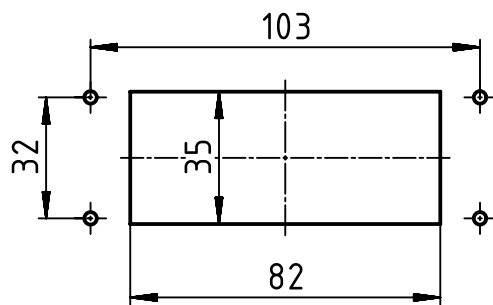



(1:2) panel cut out



	All rights reserved Department EL PD - DE HARTING Electric GmbH & Co. KG D-32339 Espelkamp	All Dimensions in mm Original Size DIN A4		Scale 1:1	Free size tol.	Ref. Sub.
		Created by PRIESTER	Inspected by SCHNIEDER	Standardisation TIEMANNA	Date 2014-04-25	State Final Release
Title Han EMC/B 16 Base Panel					Doc-Key / ECM-Nr. 100196950/UGD/004/A 500000074001	
Type TB				Number 09 62 816 0301		Rev. A
						Page 1/1