

1 2 3 4 5 6

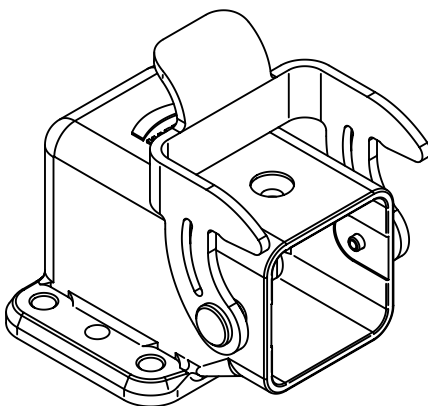
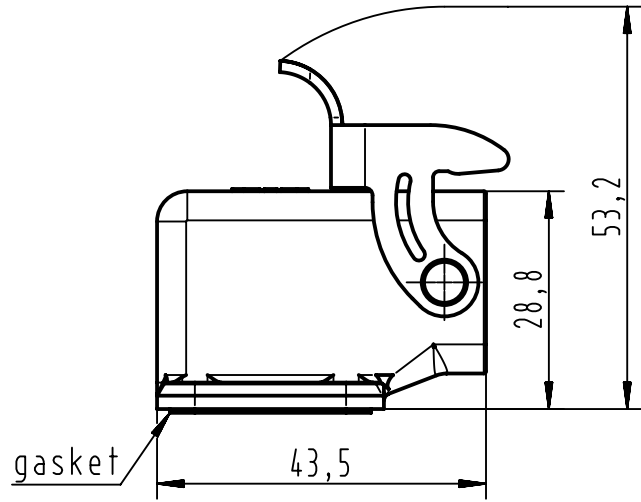
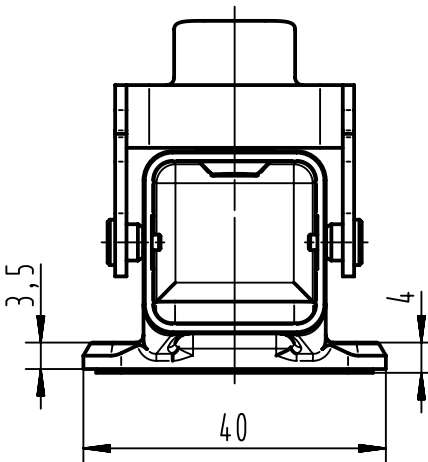
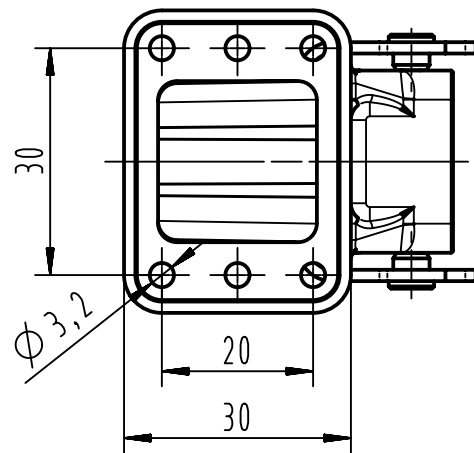
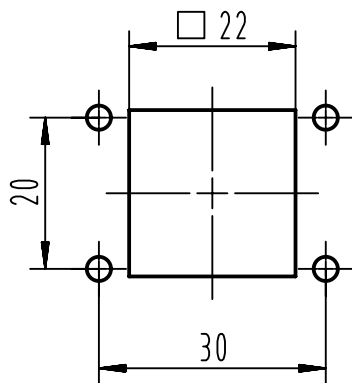
A

B

C

D

panel cut out



	All rights reserved Department EL PD - DE HARTING Electric GmbH & Co. KG D-32339 Espelkamp	All Dimensions in mm Original Size DIN A4		Scale 1:1	Free size tol.	Ref. Sub.
		Created by FINKEV	Inspected by MOOR	Standardisation TIEMANNA	Date 2013-04-24	State Final Release
Title Han 3EMC Base Angled 1Lever						Doc-Key / ECM-Nr. 100184470/UGD/008/A
Type TB				Number 09 62 003 0810		Rev. A
						Page 1/1