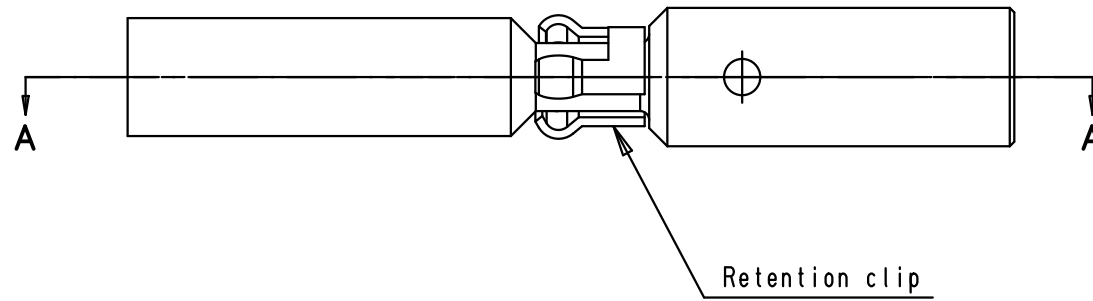
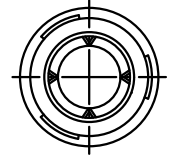
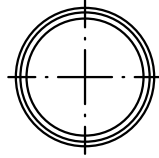
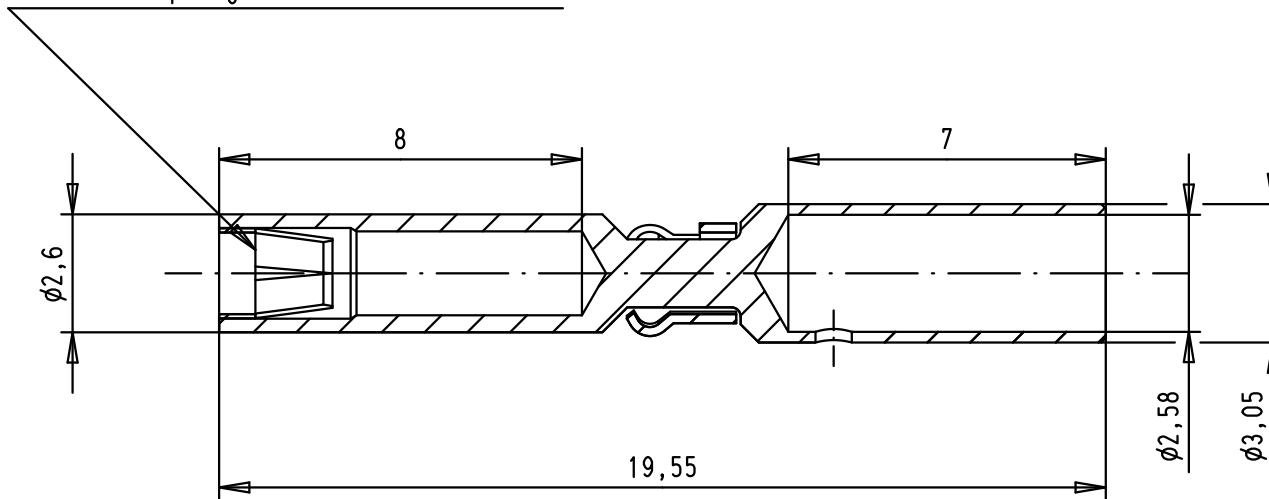


Alle Rechte vorbehalten/ All rights reserved



SECTION A-A:

Standard spring for contact retention



STRIPPING LENGTH: 7mm

MATERIAL:

contact: brass

standard spring: CuBe

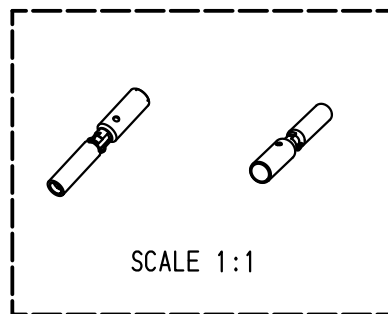
retention clip: stainless stell

PLATING:

contact: Sn/Ni

standard spring: Au/Ni

retention clip: raw material



All dimensions are before plating

			Det.	Name		FEMALE POWER CONTACT CRIMP AWG 12	Maßstab/ Scale
		Detail.	22/08/08	AB			6:1
		Insp.					
		Stand.			All Dim. in mm Orig. Size DIN A 3		
35287	22/08/08	AB	HARTING EURL F-95972 Paris			TB 09 46 500 0406	Blatt/ Page
Mod.	Det.	Name				Sub.	1/1