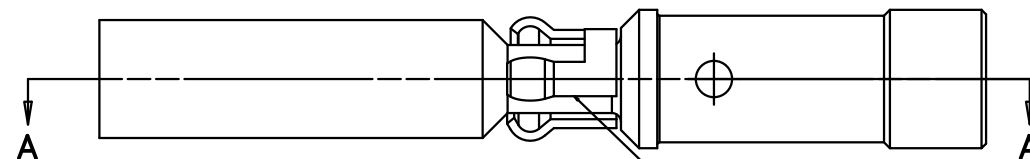
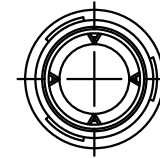
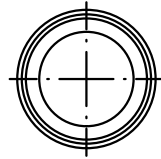
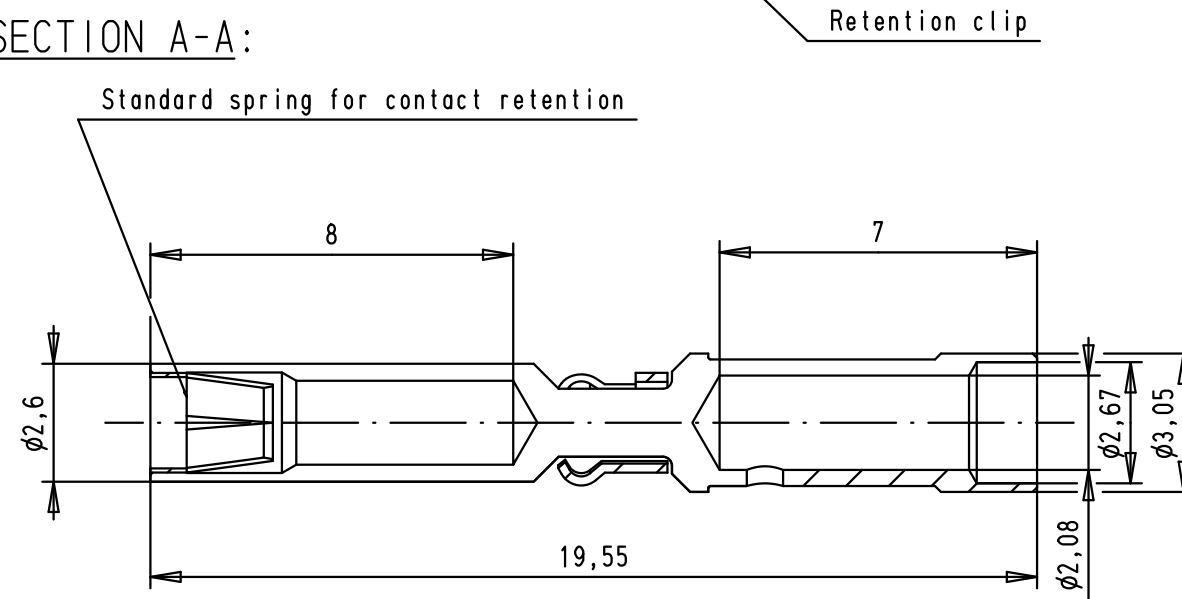


Alle Rechte vorbehalten. All rights reserved



SECTION A-A:



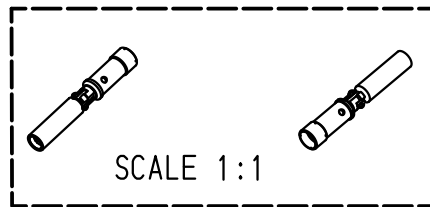
STRIPPING LENGTH: 6mm

MATERIAL:

- contact: brass
- standard spring: CuBe
- retention clip: stainless steel

PLATING:

- contact: Ni/Sn
- standard spring: Ni/Au
- retention clip: raw material



			Det.	Name		FEMALE POWER CONTACT CRIMP AWG 16-14	Maßstab/ Scale
		Detail.	22/08/08	AB			6:1
		Insp.	10/05/11	JMV			
		Stand.			All Dim. in mm Orig. Size DIN A 3		
36242	09/05/11	AB	HARTING EURL F-95972 Paris				TB 09 46 500 0402
35287	22/08/08	AB					Blatt/ Page 1 / 1
Mod.	Det.	Name				Sub.	