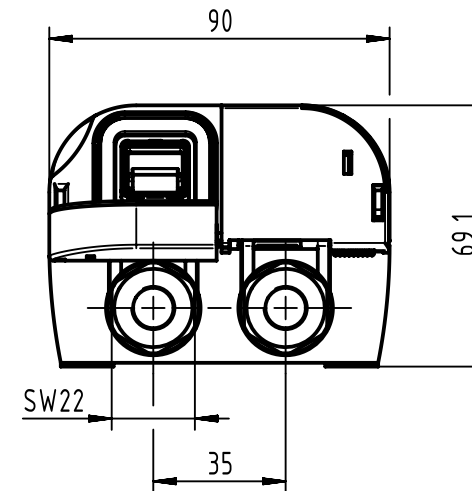
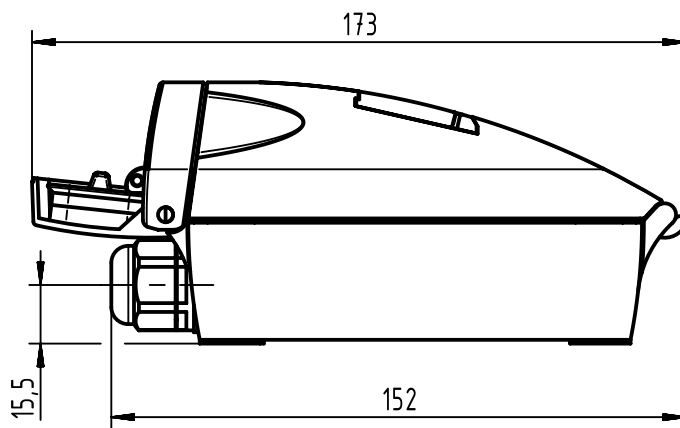
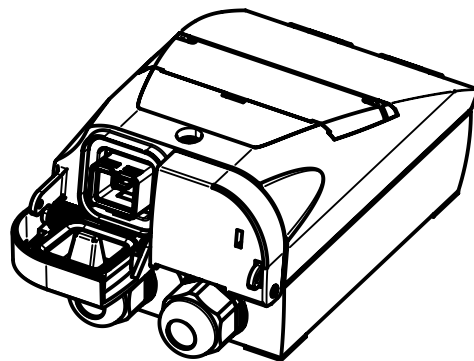



Included in delivery:

1. 2x RJ45 jack
2. 1x assembly instruction
3. drilling template
4. blind grommet



For cable diameter 6-9mm, AWG 22-24



| | | | | | | | |
|---|--|--|-----------------------|-----------------------|---------------------------|--|------------------------|
|  | All Dimensions in mm Original Size DIN A4 | | Scale 1:2 | Free size tol. | | Ref. | |
| | All rights reserved Department EC PD - RO | | Created by TAMAS | Inspected by AVRAM | Standardisation KOHLER | Date 2015-02-11 | State Final Release |
| HARTING Electronics GmbH D-32339 Espelkamp | | Title RJ Industrial PushPull Outlet | | | | Doc-Key / ECM-Nr. 100198441/UGD/002/B 500000084913 | |
| | | Type TB | Number 09458451501 | | | Rev. B | Page 1/1 |