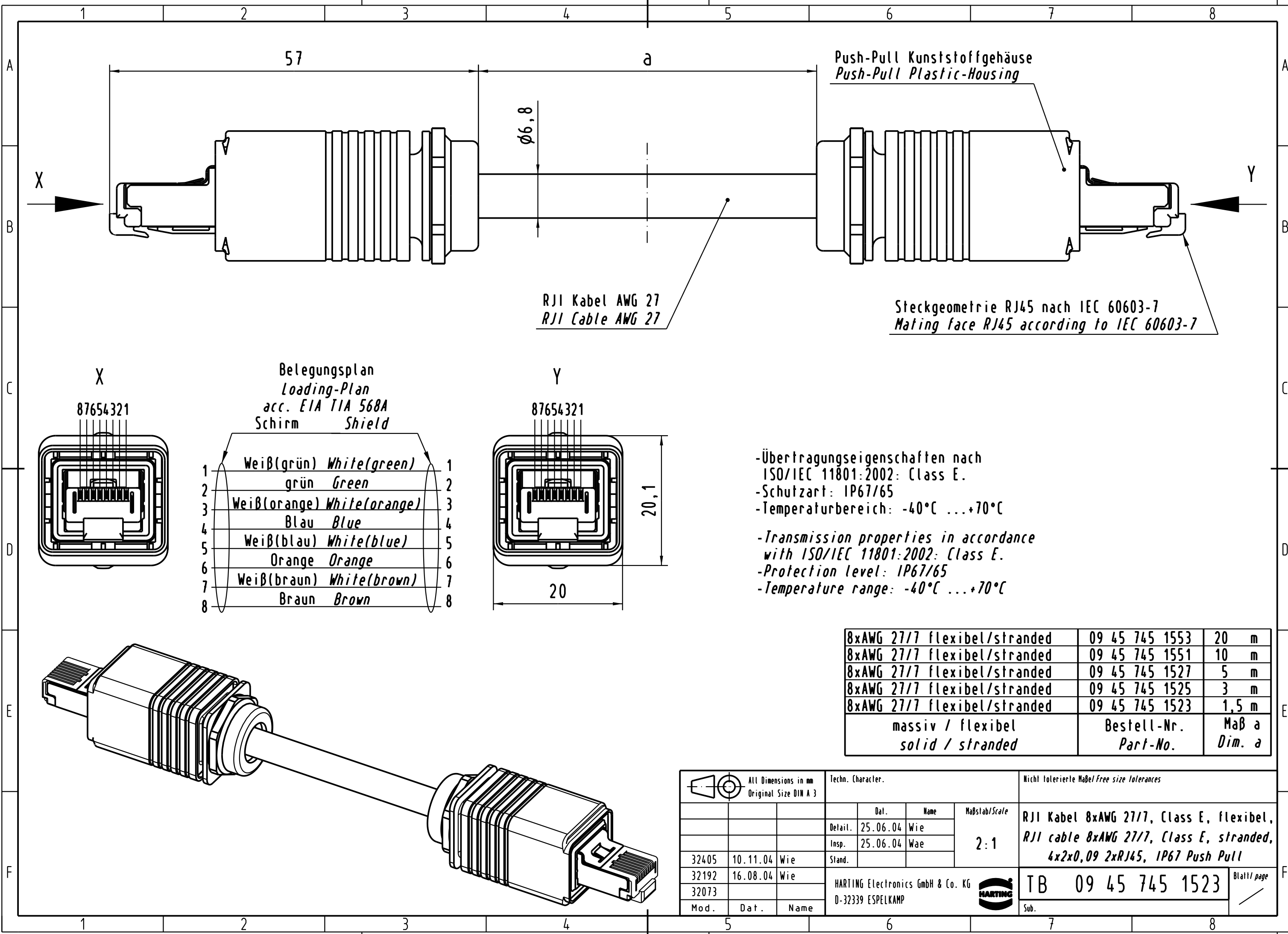


Alle Rechte vorbehalten. All rights reserved

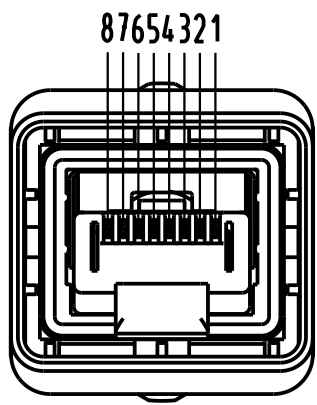


Push-Pull Kunststoffgehäuse
Push-Pull Plastic-Housing

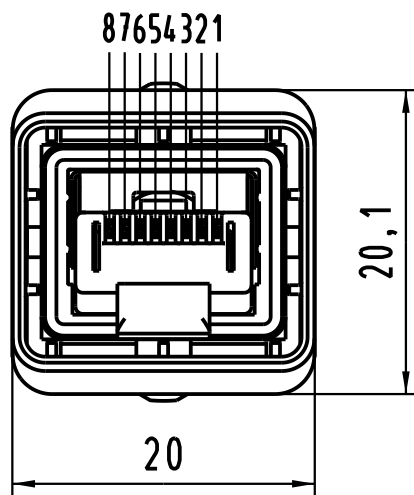
RJI Kabel AWG 27
RJI Cable AWG 27

Steckgeometrie RJ45 nach IEC 60603-7
Mating face RJ45 according to IEC 60603-7

Belegungsplan
Loading-Plan
acc. EIA TIA 568A
Schirm Shield



1	Weiß(grün) White(green)	1
2	grün Green	2
3	Weiß(orange) White(orange)	3
4	Blau Blue	4
5	Weiß(blau) White(blue)	5
6	Orange Orange	6
7	Weiß(braun) White(brown)	7
8	Braun Brown	8



- Übertragungseigenschaften nach ISO/IEC 11801:2002: Class E.
- Schutzart: IP67/65
- Temperaturbereich: -40°C ...+70°C

- Transmission properties in accordance with ISO/IEC 11801:2002: Class E.
- Protection level: IP67/65
- Temperature range: -40°C ...+70°C

8xAWG 27/7 flexibel/stranded	09 45 745 1553	20 m
8xAWG 27/7 flexibel/stranded	09 45 745 1551	10 m
8xAWG 27/7 flexibel/stranded	09 45 745 1527	5 m
8xAWG 27/7 flexibel/stranded	09 45 745 1525	3 m
8xAWG 27/7 flexibel/stranded	09 45 745 1523	1,5 m
massiv / flexibel solid / stranded	Bestell-Nr. Part-No.	Maß a Dim. a

All Dimensions in mm Original Size DIN A 3			Techn. Character.			Nicht tolerierte Maß/Free size tolerances		
				Dat.	Name	Maßstab/Scale 2:1	RJI Kabel 8xAWG 27/7, Class E, flexibel, RJI cable 8xAWG 27/7, Class E, stranded, 4x2x0,09 2xRJ45, IP67 Push Pull	
				Detail.	Wie			
				Insp.	Wae			
32405	10.11.04	Wie		Stand.				
32192	16.08.04	Wie						
32073								
Mod.	Dat.	Name	HARTING Electronics GmbH & Co. KG D-32339 ESPELKAMP				TB 09 45 745 1523	
							Sub.	Blatt/page