

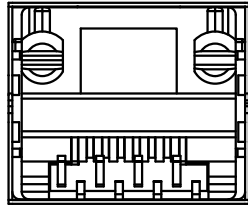
5

4

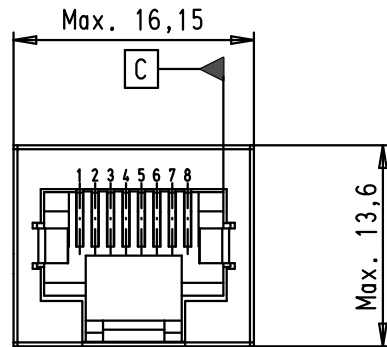
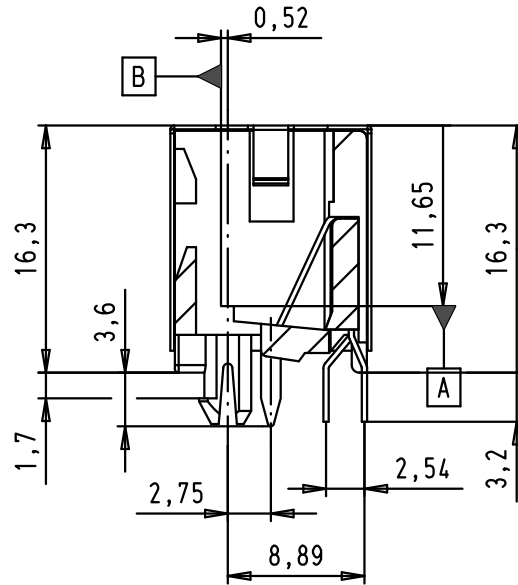
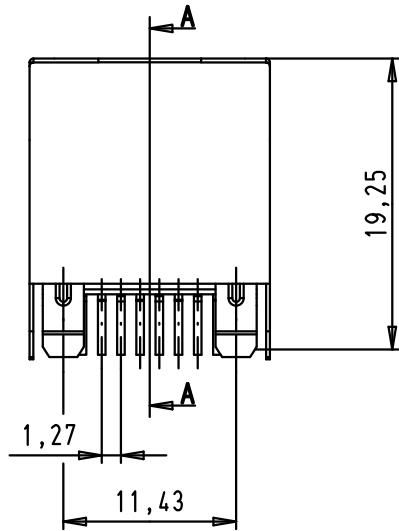
3

2

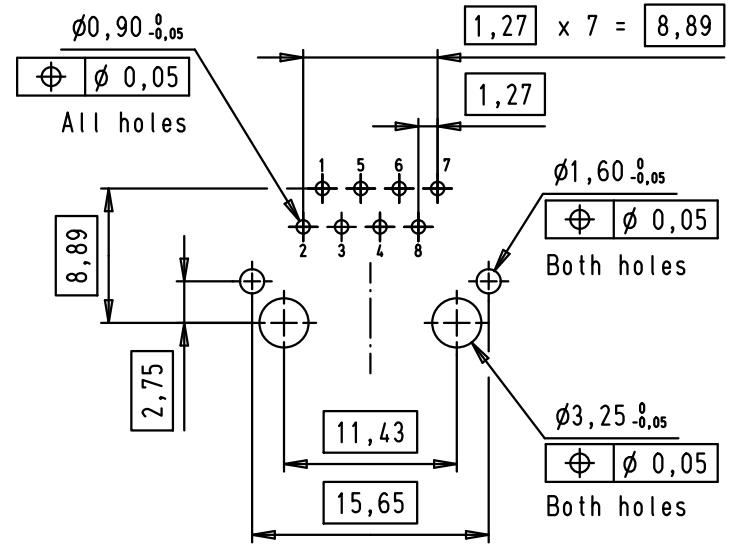
1



A-A





PCB layout, component side



Material:

- Shielding: Copper alloy with nickel plating
- Housing: PBT, UL-94-V0, black
- Insert: PBT, UL-94-V0, black
- Contact: -Phosphor bronze, selective gold plating over nickel in contact area
-Tin plating over nickel in solder area

			Detail.	Dat.	Name	 All Dim. in mm Orig. Size DIN A 4	HARTING RJ industrial [®] RJ45 jack THT with 8 signal terminations and 2 grounding terminations	Maßstab/ Scale	
			Insp.	09/01/12	JB			2:1	Blatt/ Page 1 / 1
			Stand.						
36286	09/01/12	SD	HARTING EURL F-95972 Paris				TB 09 45 551 1103 Sub. MB 00 45 0139		
35070	06/08/08	PK							
34910	09/04/08	LP							
Mod.	Dat.	Name							