

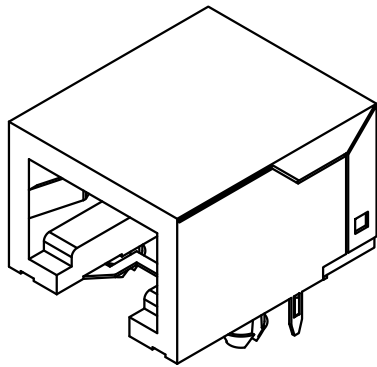
5

4

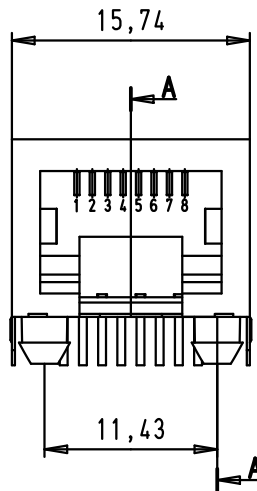
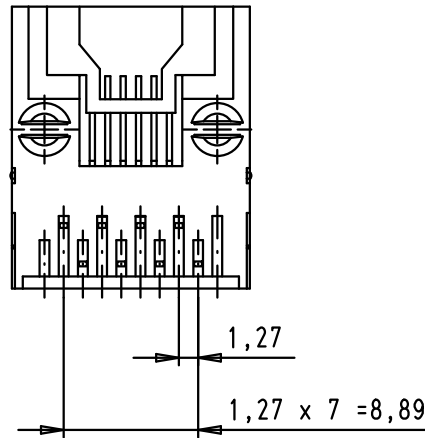
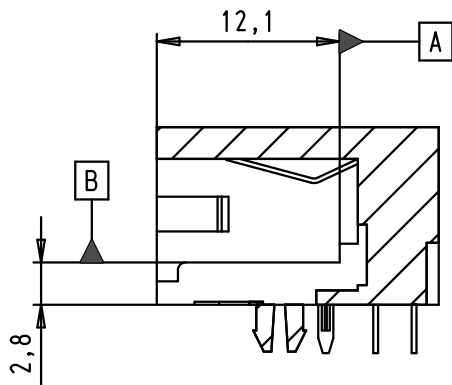
3

2

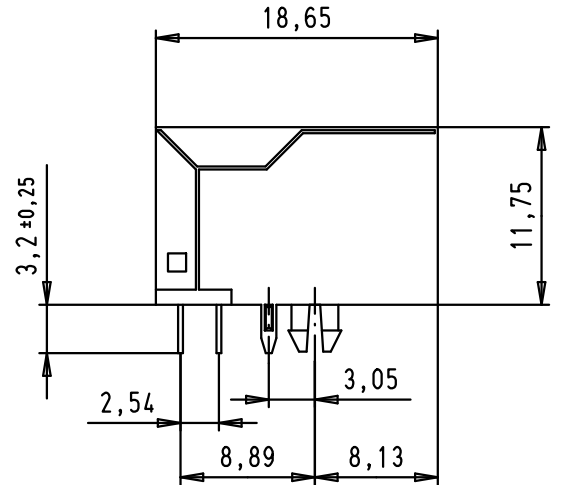
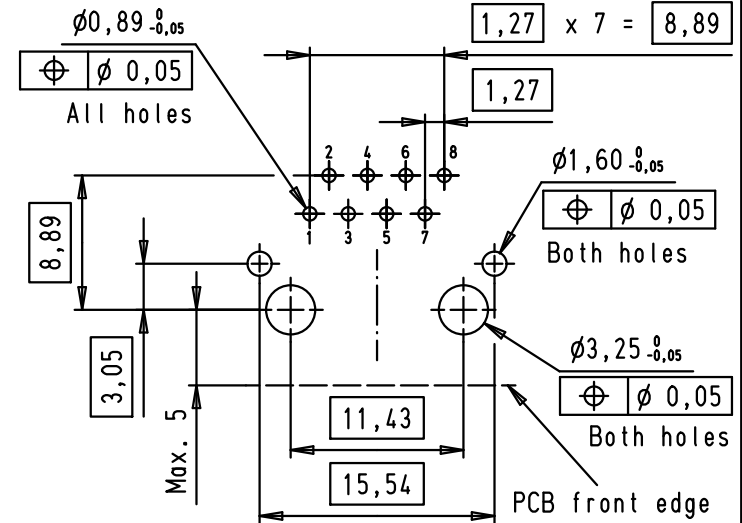
1



A-A



PCB layout, component side



Material:
 Shielding: Copper alloy with nickel plating
 Insert: PBT, UL-94-V0, black
 Contact: -Phosphor Bronze, selective gold plating
 15 μ m, over nickel in contact area
 -Tin plating over nickel in solder area

| | | |
|-------|----------|------|
| 36299 | 20/04/12 | SD |
| 35070 | 06/08/08 | PK |
| 34885 | 21/02/08 | LP |
| 33488 | 02/06/06 | AM |
| 33468 | 10/05/06 | JFB |
| 33426 | 08/02/06 | AM |
| 33107 | 23/09/05 | AM |
| Mod. | Dat. | Name |

| | | |
|---------|----------|------|
| | Dat. | Name |
| Detail. | 23/09/05 | AM |
| Insp. | 23/09/05 | JMV |
| Stand. | | |



HARTING EURL
 F-95972 Paris



HARTING RJ Industrial®
 RJ 45 Jack
 with 8 signal solder pins and
 2 rear grounding solder pins

TB 09 45 551 1102

Maßstab/
 Scale
 2:1
 Blatt/ Page
 1 / 1