

5

4

3

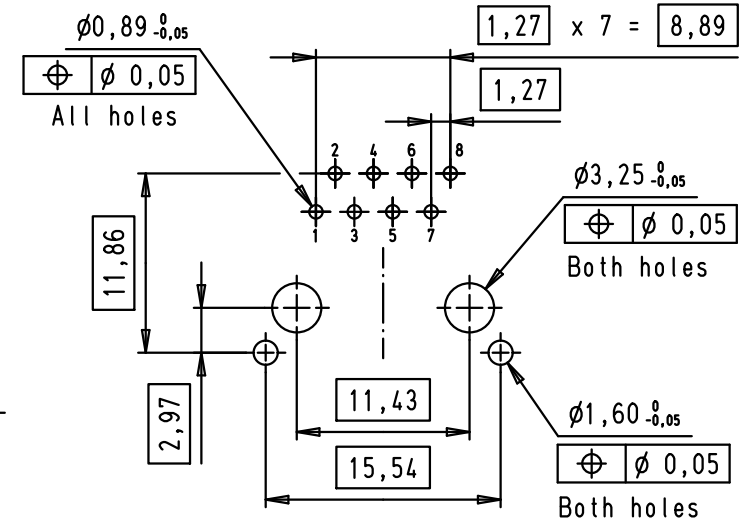
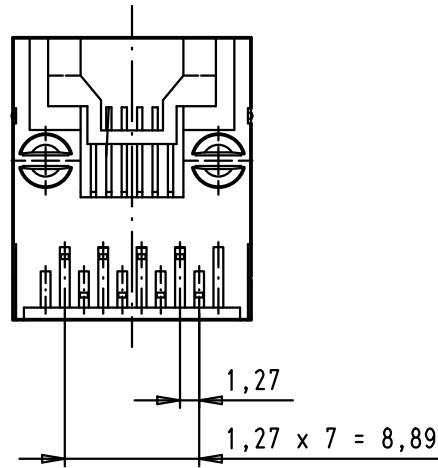
2

1

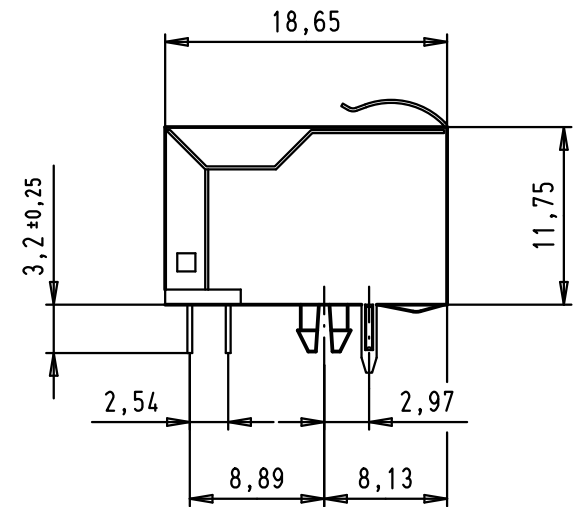
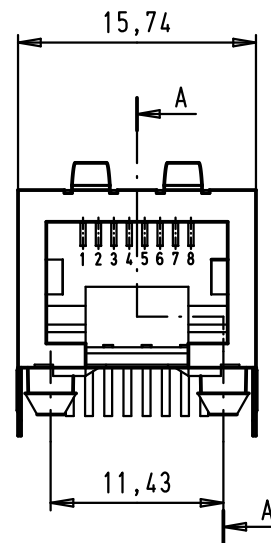
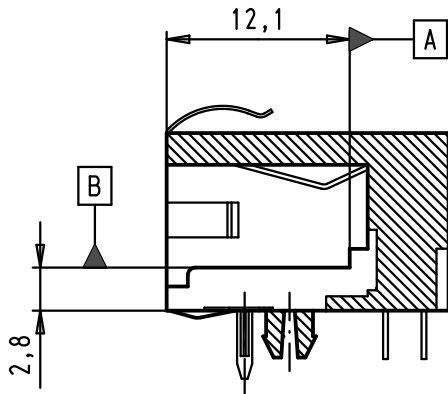
Material:

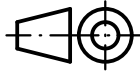
Shielding: Copper alloy with nickel plating
 Housing: PBT, UL-94-V0, black
 Insert: PBT, UL-94-V0, black
 Contact: -Phosphor bronze, selective gold plating
 over nickel in contact area
 -Tin plating over nickel in solder area

PCB layout, component side



A-A



Mod.	Dat.	Name	Dat.	Name	 All Dim. in mm Orig. Size DIN A 4	HARTING RJ Industrial® RJ 45 Jack with 8 signal solder pins and 2 grounding solder pins	Maßstab/ Scale 2:1
36299	20/04/12	SD	Detail.	01/04/04			
35070	06/08/08	PK	Insp.	01/04/04	JMV		
34885	21/02/08	LP	Stand.				
32489	16/12/04	JFB	HARTING EURL F-95972 Paris			TB 09 45 551 1101	Blatt/ Page 1 / 1
31884	01/04/04	JH					
						Sub.	

D

C

B

A