

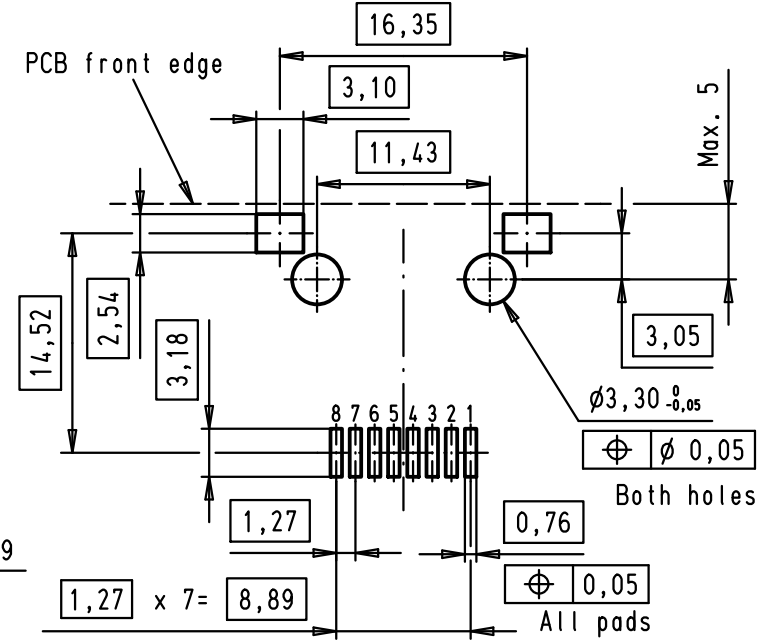
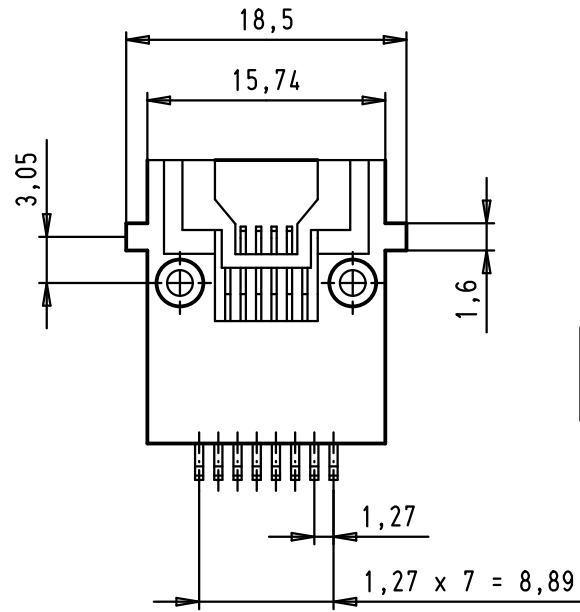
Material:

Shielding: Copper alloy with nickel plating

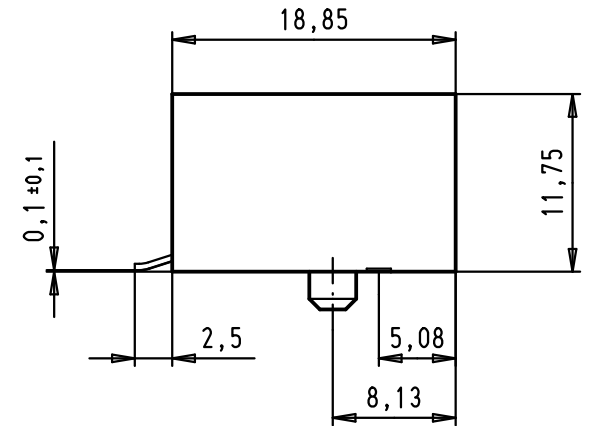
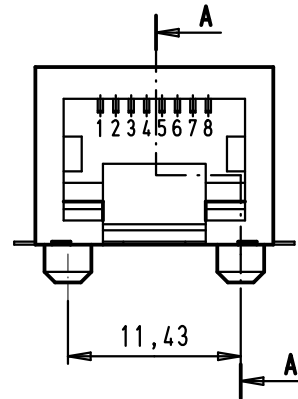
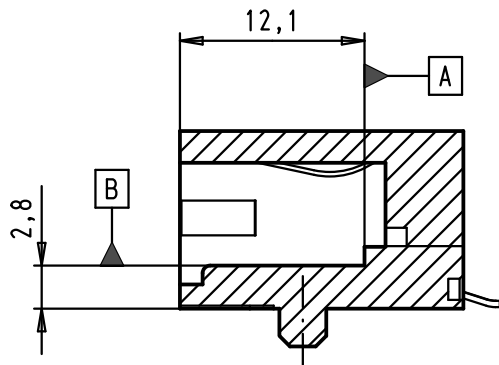
Insert: NY-46, UL-94-V0, black

Contact: -Alloy, C5210, selective gold plating over nickel in contact area
-Tin plating over nickel in solder area

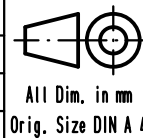
PCB layout, component side



A-A



36299	20/04/12	SD		Dat.	Name
35070	06/08/08	PK	Detail.	31/03/04	JH
34885	21/02/08	LP	Insp.	31/03/04	JMV
33468	10/05/06	JFB	Stand.		
32489	15/12/04	JFB	HARTING EURL F-95972 Paris		
31884	31/03/04	JH			
Mod.	Dat.	Name			



HARTING RJ Industrial®
RJ 45 Jack
with 8 SMT signal terminations
and 2 grounding SMT terminations

Maßstab/
Scale

2:1



TB 09 45 551 1100

Blatt/ Page

1 / 1

Sub.