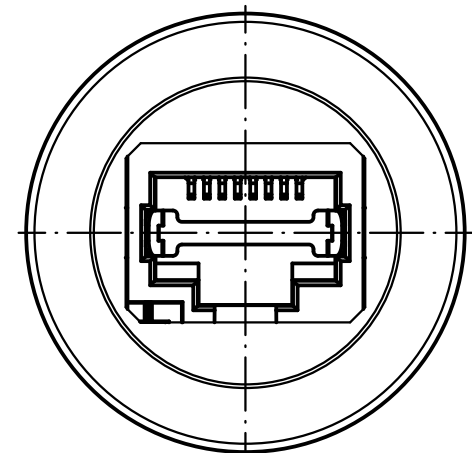
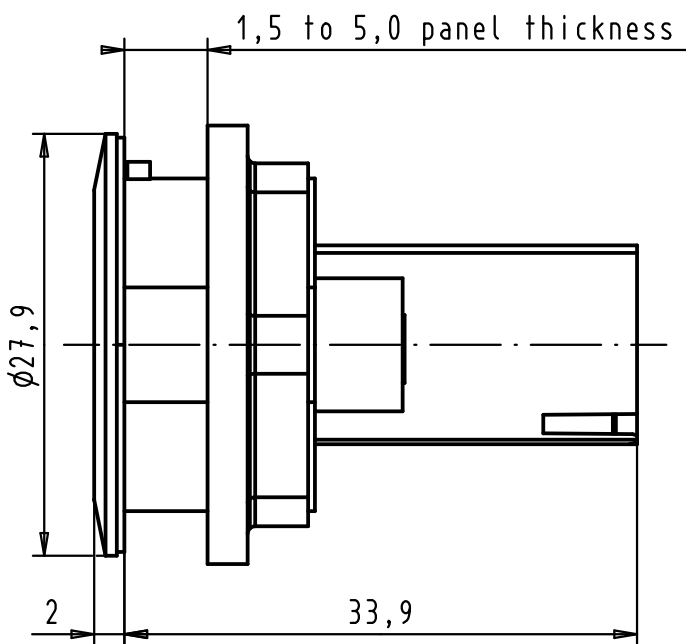
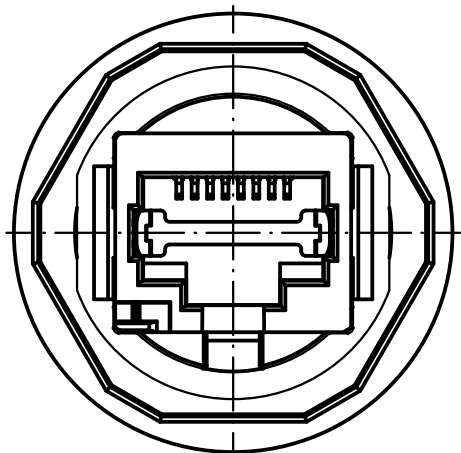


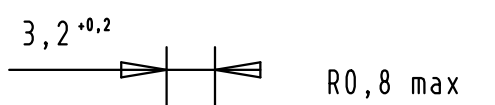
1 2 3 4 5 6

A

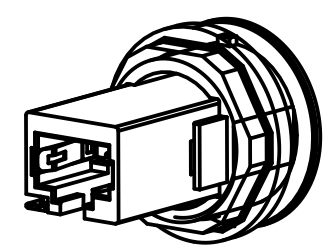
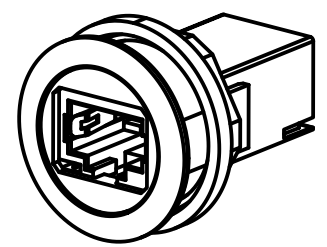
B



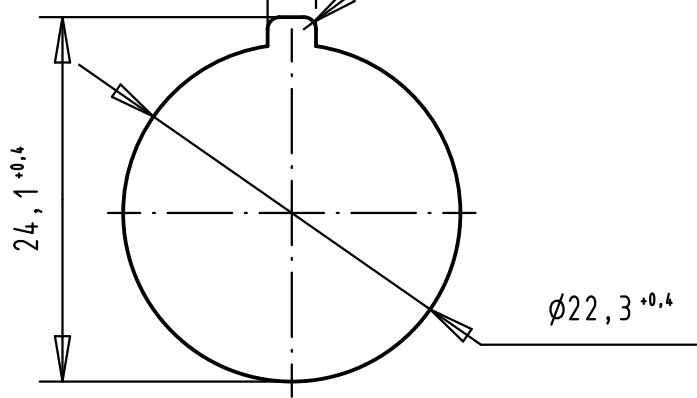
PANEL CUT DIMENSIONS:





C



D



|       |           |      |               |         |   |   |  |                          |    |
|-------|-----------|------|---------------|---------|---|---|--|--------------------------|----|
|       |           |      |               | Dot.    | Name  | <br>All Dim. in mm<br>Orig. Size DIN A 4 | har-port<br>RJ45 IP20 coupler<br>Cat.6 | Maßstab/<br>Scale<br>2:1 |    |
|       |           |      |               | Detail. | 26/JAN/11   |   |  |                          | BH |
|       |           |      |               | Insp.   | 26/JAN/11   |   |  |                          | JB |
|       |           |      |               | Stand.  |   |   |  |                          |    |
| 36227 | 15-FEB-11 | BH   | HARTING EURL  |         |  | TB 09 45 452 1560   | Blatt/ Page<br>1 / 1                   |                          |    |
| 36224 |           |      | F-95972 Paris |         |   |   |  |                          |    |
| Mod.  | Dot.      | Name |               |         | Sub.  |   |  |                          |    |