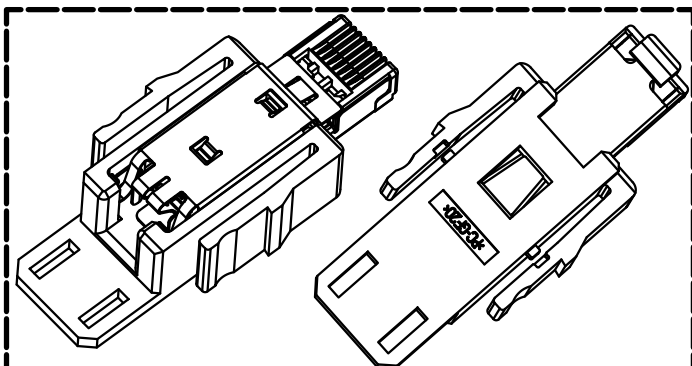
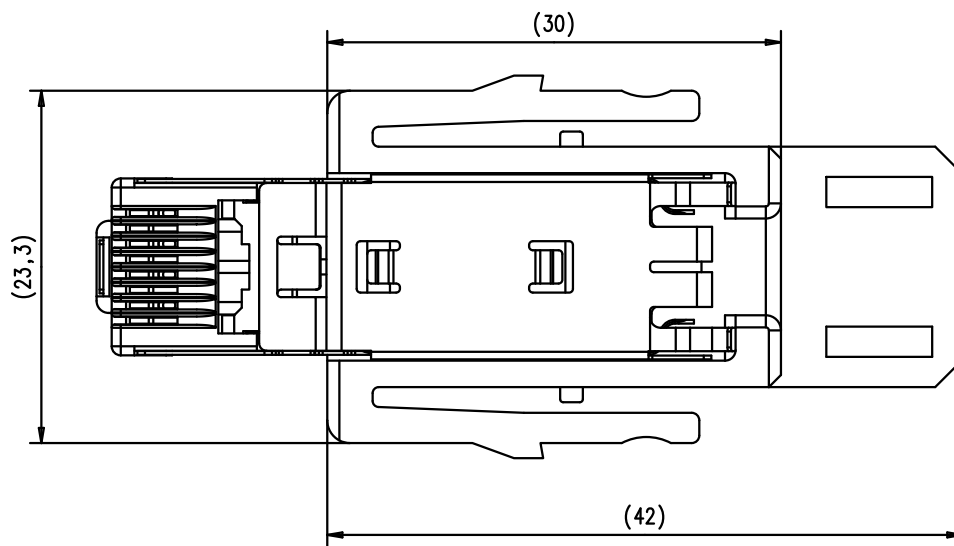




A AND B REFERENCE PLANS ACCORDING TO IEC 606033-7



SCALE 1:1

				Det.	Name	 All Dim. in mm Orig. Size DIN A 4	HARTING Han-Modular RJ45 10G plug insert	Maßstab/ Scale 1,5:1
			Detail.	31/08/10	AB			
			Insp.					
			Stand.					
36091	31/08/10	AB	HARTING EURL F-95972 Paris				TB 09 45 400 1560	Blatt/ Page 1 / 1
Mod.	Dot.	Name					Sub.	