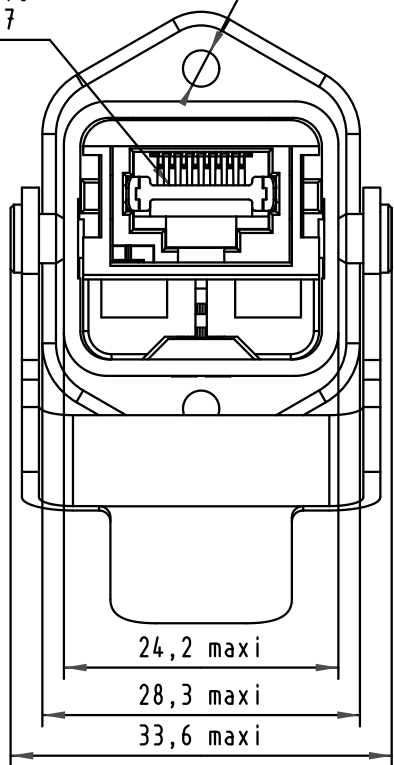


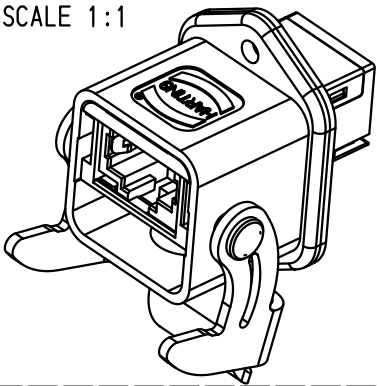
1 2 3 4 5 6

Mating face according to IEC 60603-7

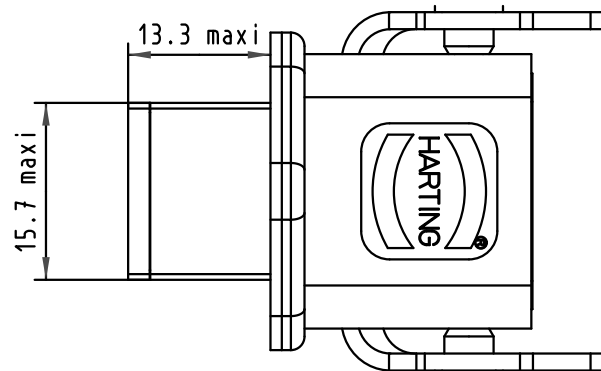
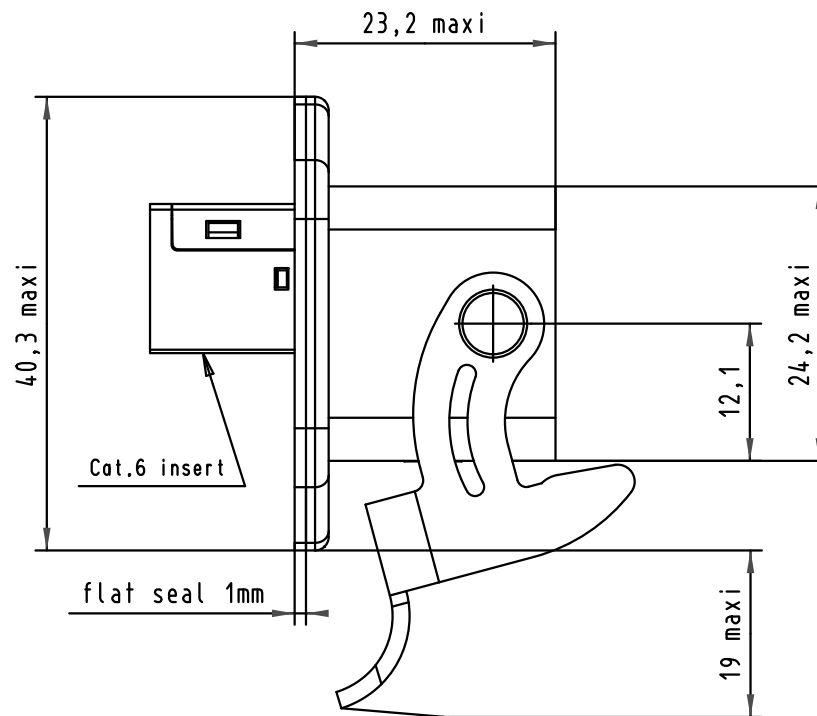
Ø3,4 maxi



SCALE 1:1

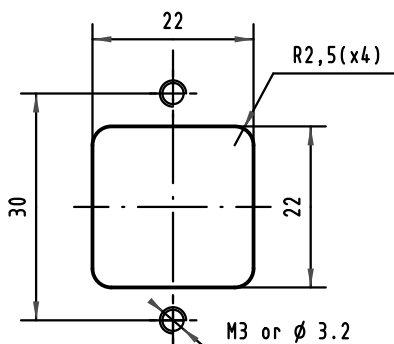


Matable with IEC 60076-3-106 variant 5  
 Connector pitches on panel:  
 axis X = 36mm  
 axis Y = 55mm



recommended panel cutout

scale 1:1



				Dot.	Name	<p>All Dim. in mm Orig. Size DIN A 4</p>	Han 3A RJ45 panel feed through Cat.6 Metal M Version	Maßstab/ Scale	
				Detail.	10/11/10			AB	1,5:1
				Insp.					
				Stand.				Blatt/ Page	
36238	10/11/10	AB	HARTING EURL F-95972 Paris				TB 09 45 215 1561	1 1	
Mod.	Dot.	Name					Sub.		