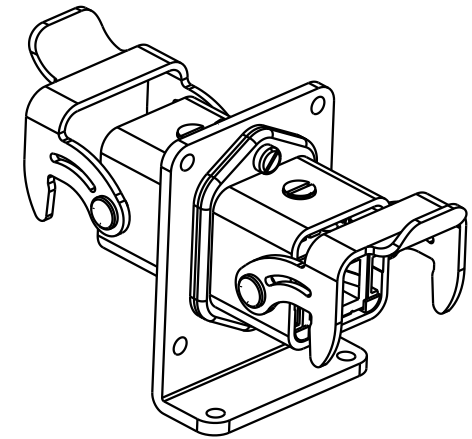
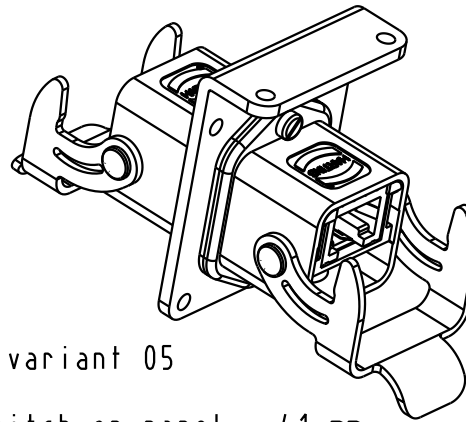
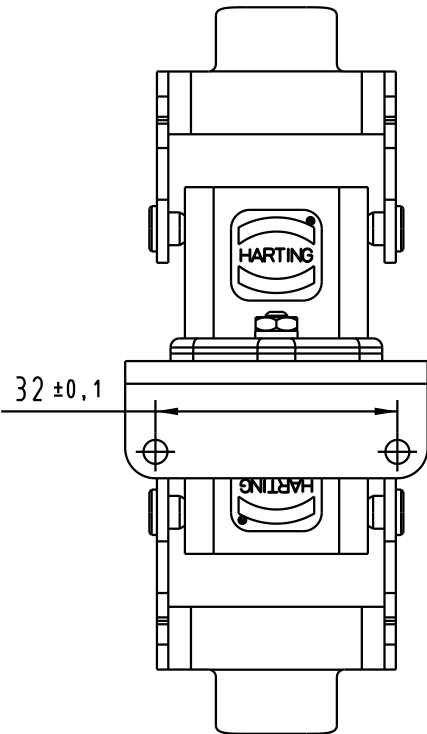
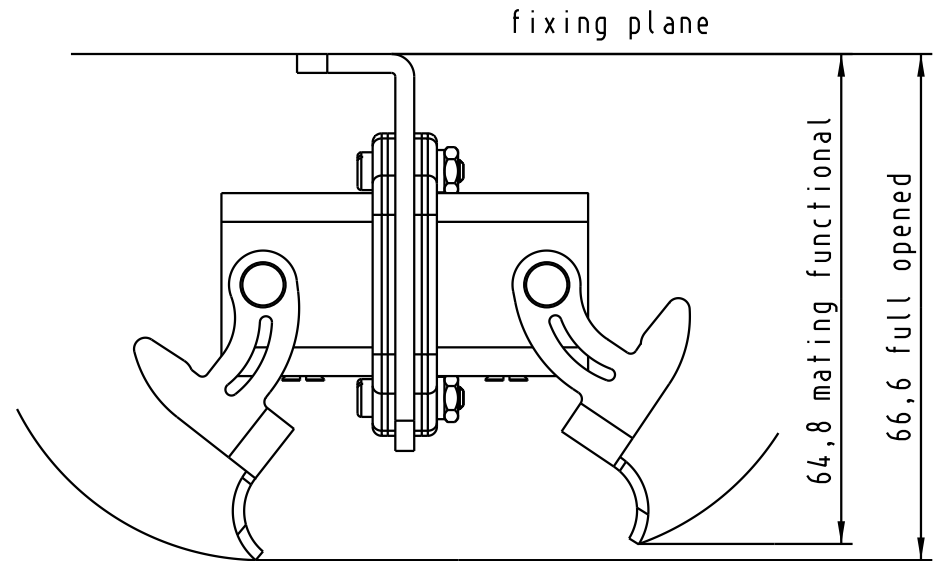




fixing to support(s)
with M3 screws (x6)

IEC 60603-7
SMC modular jacks
12 mm maxi. height
above PC-Board



matable with
IEC 61076-3-106 variant 05

Gender changer pitch on panel = 41 mm

				Dat.	Name	 All Dim. in mm Orig. Size DIN A 4	RJ Industrial Han3A Gender changer straight metal version	Maßstab/ Scale 1:1
			Detail.	01-JUN-04	JB			
			Insp.					
			Stand.					
32333	16-NOV-04	JB	HARTING EURL F-95972 Paris				TB 09 45 215 1107	Blatt/ Page 1 / 1
32330	10-NOV-04	JB						
31900	01-JUN-04	JB						
Mod.	Dat.	Name				Sub.		