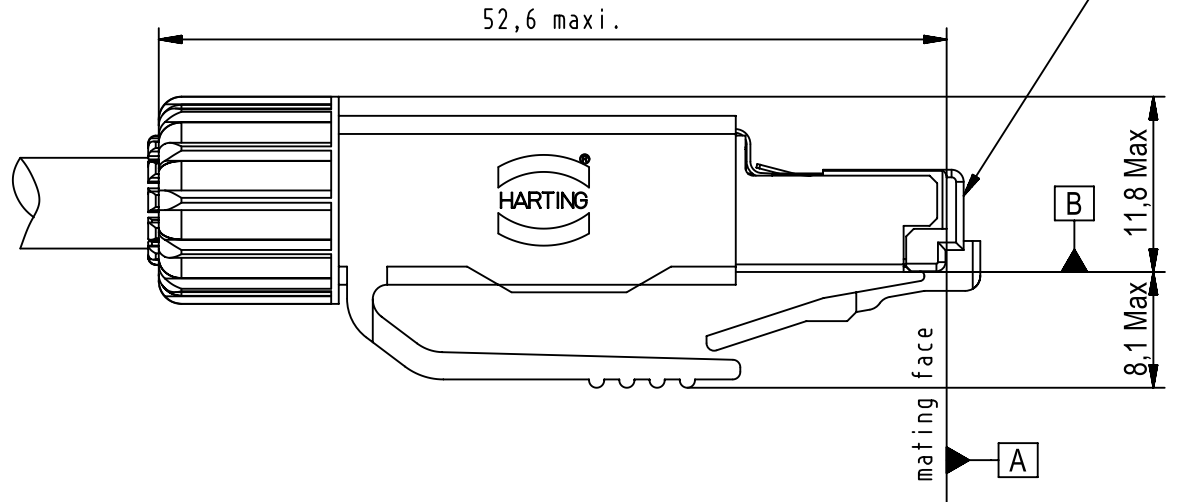
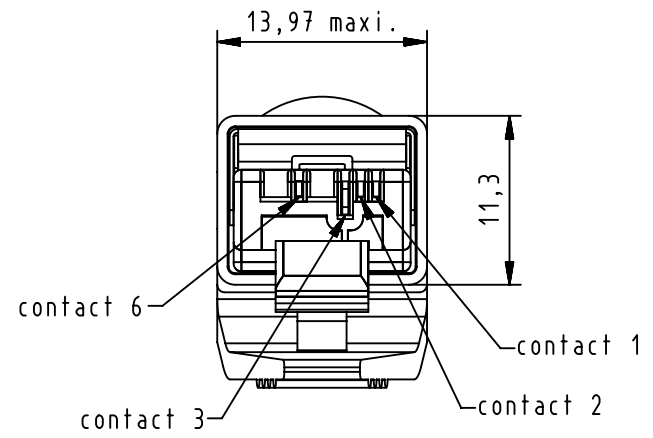
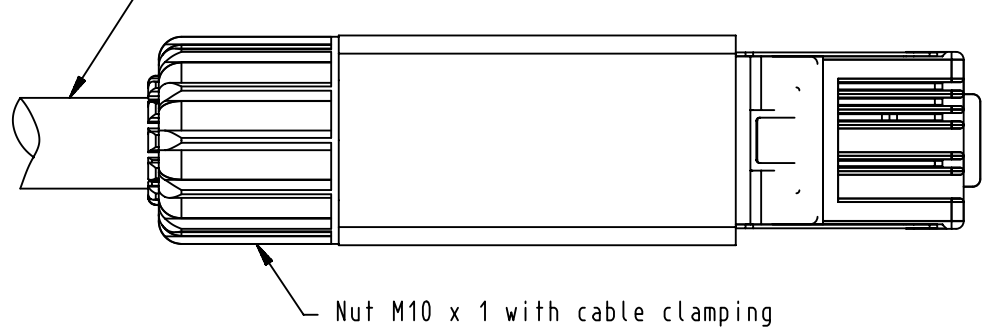


mating area compatible with IEC 60603-7



Cable $\phi 6,1 - \phi 6,9\text{mm}$
 AWG 26/7 wires with O.D. 0,98mm typ.
 AWG 24/7 wires with O.D. 1,09mm typ.



	All Dimensions in mm Original Size DIN A4	Scale 2:1	Free size tol.		Ref.	
	All rights reserved Department EC PD - FR	Created by DOUGE	Inspected by BAGDIKIAN	Standardisation KOHLER	Date 2013-05-28	State Final Release
HARTING Electronics GmbH D-32339 Espelkamp	Title RJ Industrial Thermoplastic IP20 plug harting				Doc-Key / ECM-Nr. 100228268/UGD/001/A 500000062385	
	Type TB	Number 09451511109			Rev. A	Page 1/1