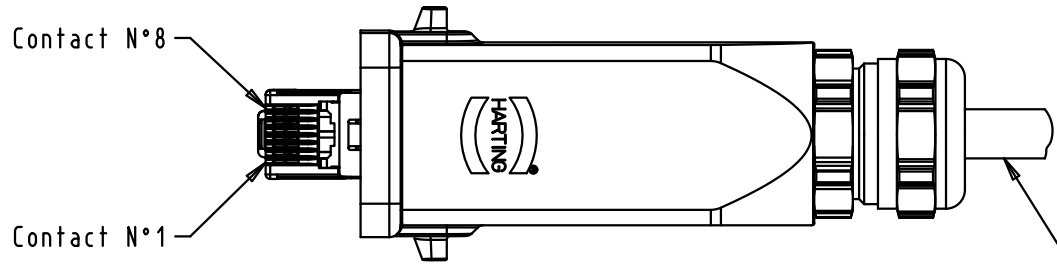
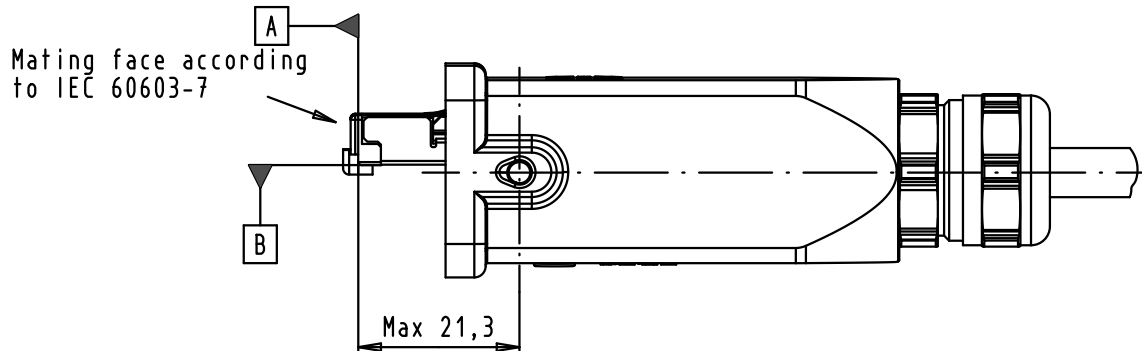
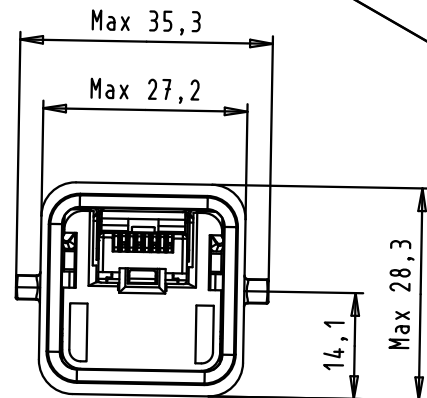
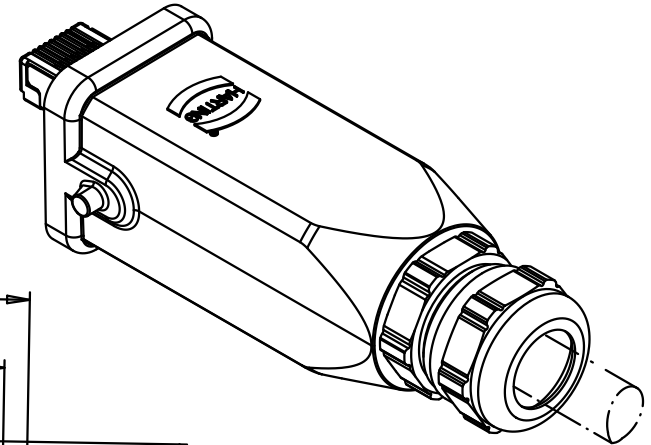




M3 screw for assembly

M20x1,5 metal cable clamp  
19 00 000 5080



- For solid and stranded conductors AWG 27 up to AWG 22
- Max. wire diameter 1.5mm
- Cable diameter 6 to 9mm
- Degree of protection IP65/IP67
- Cat.6 performance class EA suitable for 1/10 Gigabit Ethernet
- Temperature range -40°C up to +70°C
- 750 mating cycles

Data contacts plating: Au 1,27µm (50µ") over Nickel

				Dot.	Name	 All Dim. in mm Orig. Size DIN A 4	Han 3A RJ45 10G connector metal version	Maßstab/ Scale  1:1
			Detail.	20/10/09	AB			
			Insp.					
			Stand.					
36080	20/10/09	AB	HARTING EURL F-95972 Paris				TB 09 45 115 1560	Blatt/ Page 1 / 1
Mod.	Dot.	Name	Sub.					