

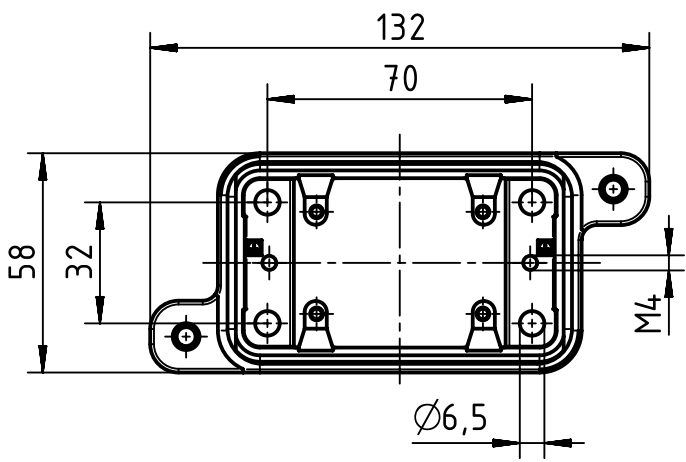
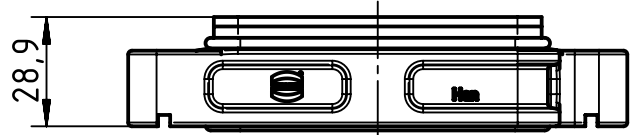
1 2 3 4 5 6

A

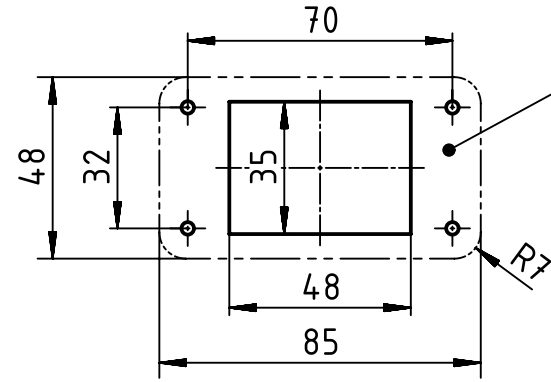
B

C

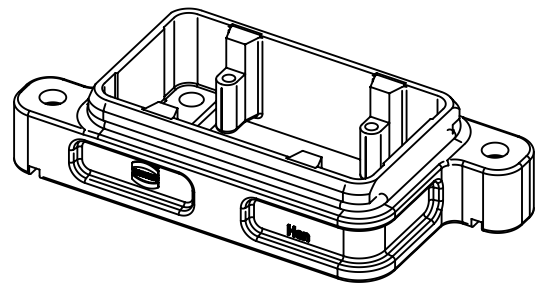
D




panel cut out



for EMC features,  
conductive surface



	All rights reserved Department EL PD - DE HARTING Electric GmbH & Co. KG D-32339 Espelkamp	All Dimensions in mm Original Size DIN A4	Scale 1:2	Free size tol.	Ref. Sub.
		Created by PENNER	Inspected by BERGHORN	Standardisation TIEMANNA	Date 2014-04-17
Title Han 6 HPR Base Panel Screw locking					Doc-Key / ECM-Nr. 100209962/UGD/004/A 500000073859
Type TB		Number 09 40 006 0311			Rev. A
					Page 1/1