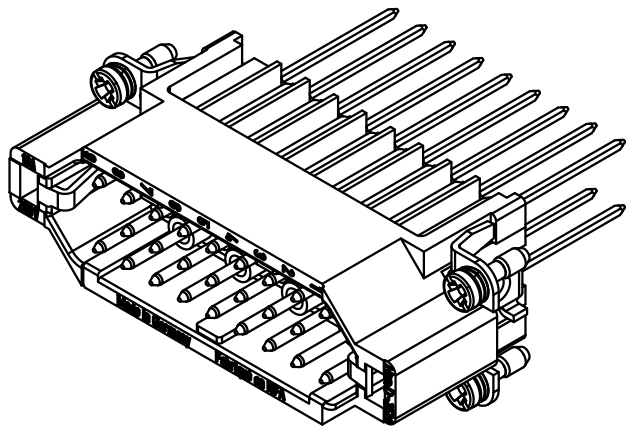
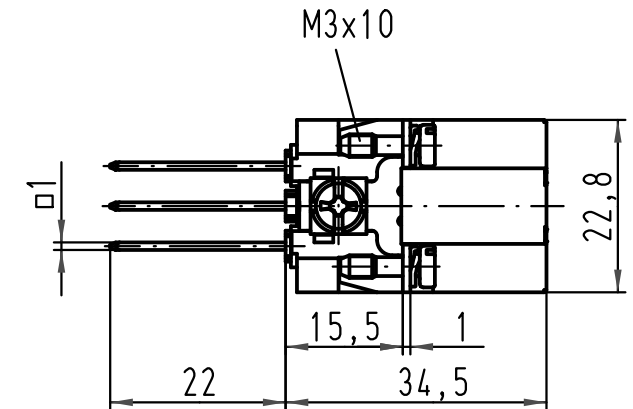
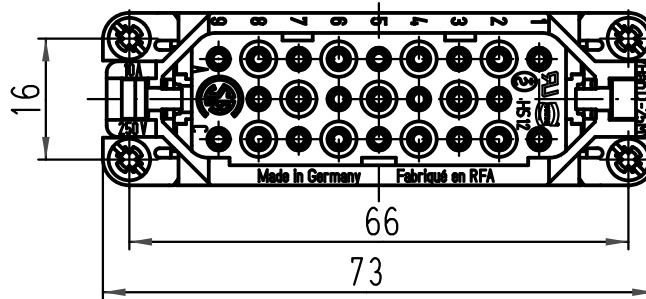
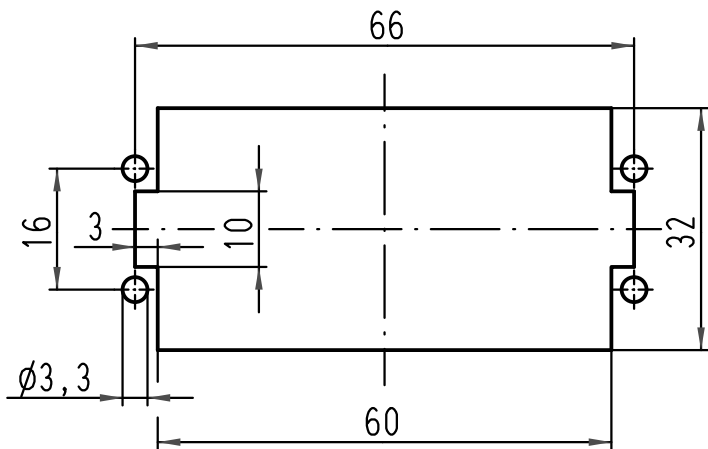


Montageausschnitt/
panel cut out



Rasterabstand zwischen den Kontakten: 5,3mm
screen line distance between the contacts: 5,3mm

| | | | | | | | | | |
|--------|----------|---|---|--|-------------------|-------------|--|--|-------------|
| | | All Dimensions in mm Original Size DIN A 4 | | | Techn. Character. | | Nicht tolerierte Masse/ Free size tolerances | | |
| | | | | | Dat. | Name | Massstab/ Scale 1:1 | Han 25D-M-ww-□1 Stiftträger/ male insert | |
| | | | | | Detail. | 12.04.99 KR | | | |
| | | | | | Insp. | SDT. | | | |
| 411417 | 18.01.05 | Loe. | | | Stand. | | | | |
| 410526 | 18.07.03 | Ho | | | | | | | |
| 25626 | | | | | | | | | |
| Mod. | Dat. | Name | HARTING Electric GmbH & Co. KG D-32339 Espelkamp | | | | | TB 09 21 025 2601 | |
| | | | | | | | | Sub. TB 09 21 0.. 2601 Bl.1/2 v. 22.03.93 | Blatt/ page |