

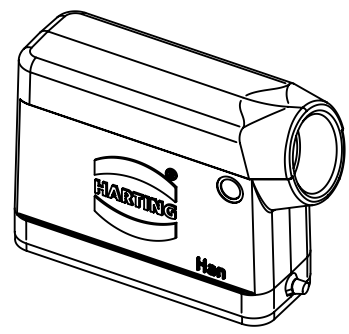
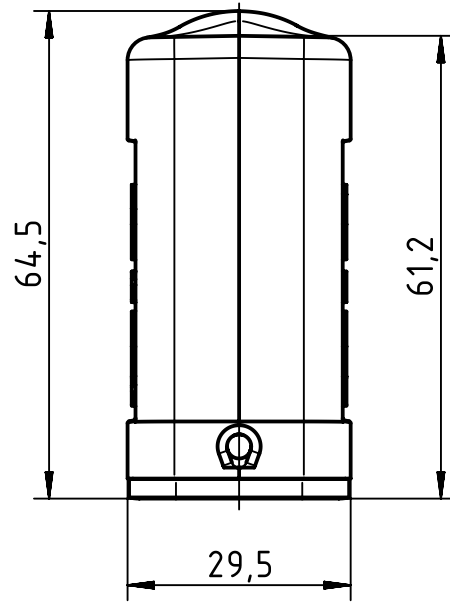
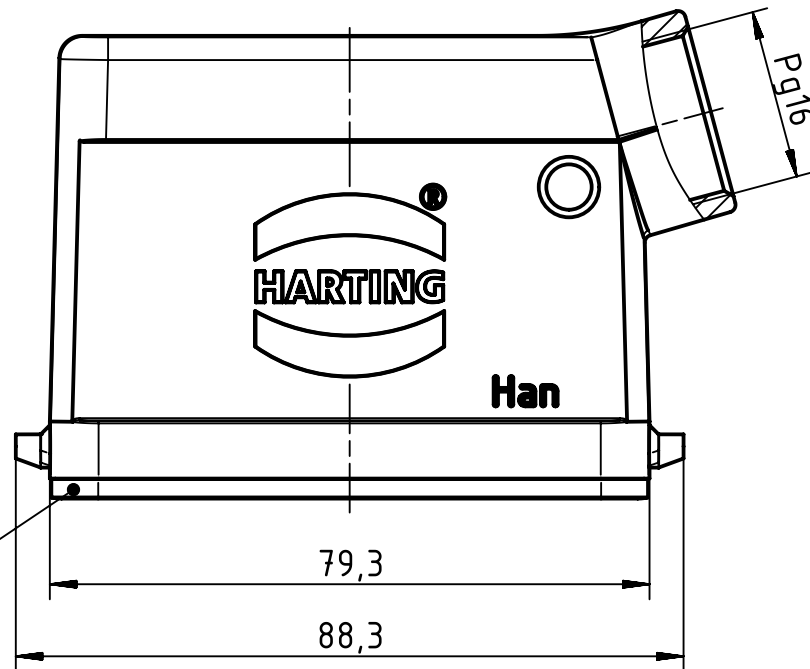
1 2 3 4 5 6

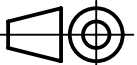

A

B

C

D



 All Dimensions in mm Original Size DIN A4		Scale 1:1		Free size tol.		Ref.	
 All rights reserved Department EL PD - DE		Created by PETERSM		Inspected by BERGHORN		Standardisation TIEMANNA	
HARTING Electric GmbH & Co. KG D-32339 Espelkamp		Title Han A Hood Side Entry LC 2 Pegs PG 16				Date 2015-07-16	
		Type TB		Number 09 20 016 1541		State Final Release	
						Doc-Key / ECM-Nr. 100120073/UGD/005/B 500000090909	
						Rev. <b>B</b>	
						Page 1/1	