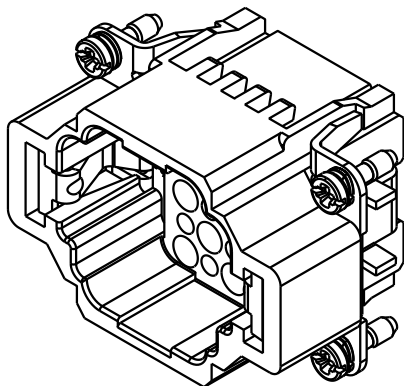
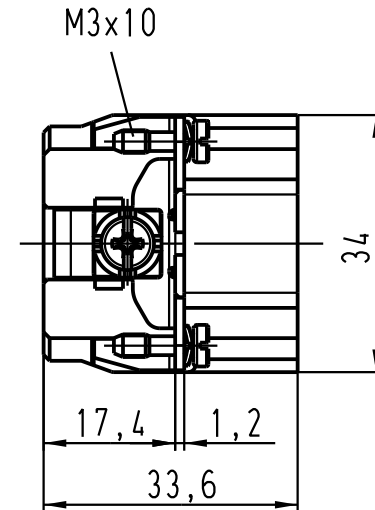
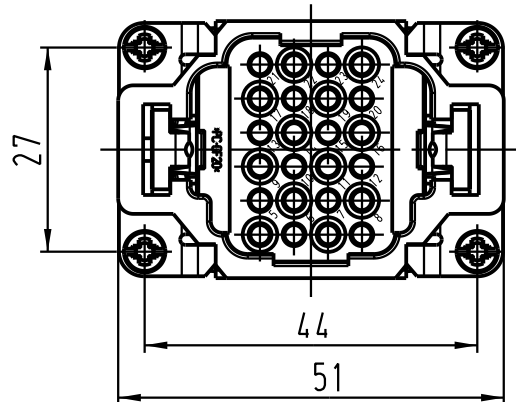
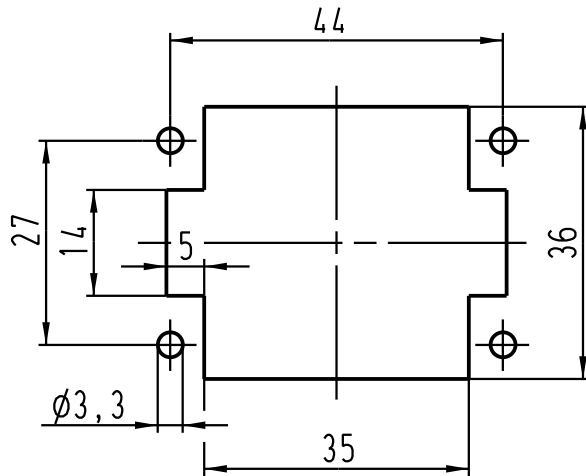


Montageausschnitt /
panel cut out



| | | | | | | |
|---|------|--------------------------------|-------------------|------|--|---|
| All Dimensions in mm Original Size DIN A 4 | | Techn. Character. | | | Nicht tolerierte Masse/ Free size tolerances | |
| | | | Dat. | Name | Massstab/Scale 1:1 | Han 24DD-M-c Stifteinsatz / male insert |
| | | Detail. | 24.06.03 | Ho | | |
| | | Insp. | | KR | | |
| | | Stand. | | | | |
| 410513 | | HARTING Electric GmbH & Co. KG | | | | TB 09 16 024 3001 |
| Mod. | Dat. | Name | D-32339 Espelkamp | | | |
| | | | | | Sub. TB 09 16 024 3001 v. 22.03.99 | |
| | | | | | | Blatt/ page |