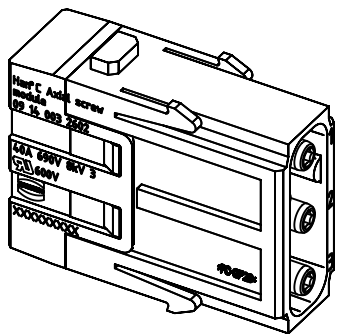


for stranded wire 6-10mm<sup>2</sup>, AWG 10-8, fine wire



	All Dimensions in mm Original Size DIN A4		Scale 2:1	Free size tol.		Ref.
			Created by RULLKOETTER	Inspected by SCHNIEDER	Standardisation TIEMANNA	Date 2014-06-11
All rights reserved Department EL PD - DE		Title <b>Han C axial module, male 6-10mm<sup>2</sup></b>			State Final Release	
HARTING Electric GmbH & Co. KG D-32339 Espelkamp		Type TB			Number 09 14 003 2602	
						Doc-Key / ECM-Nr. 100169077/UGD/007/B 500000074632
						Rev. B
						Page 1/1