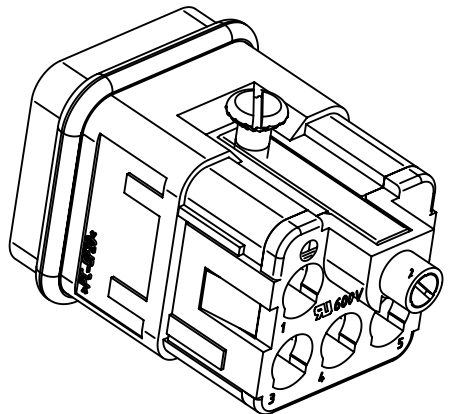
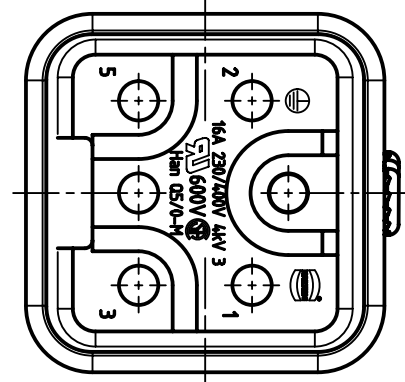
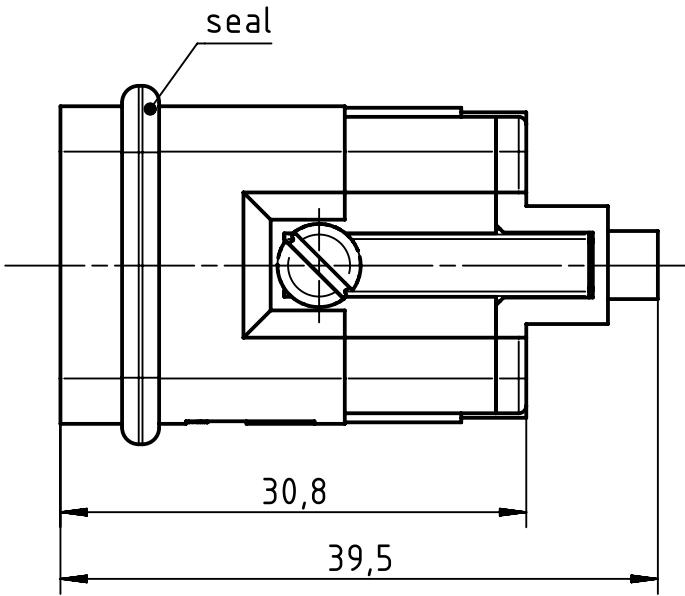


countersunk-head screw  
M3x6-4.8, enclosed separately



	All Dimensions in mm Original Size DIN A4		Scale 2:1	Free size tol.		Ref.	
						Sub.	
	All rights reserved Department EL PD - DE		Created by PRIESTER	Inspected by RIEPE	Standardisation SCHMIDTM	Date 2015-05-14	State Final Release
	HARTING Electric GmbH & Co. KG D-32339 Espelkamp		Title Han Q 5/0 Male Insert Crimp			Doc-Key / ECM-Nr. 100125021/UGD/005/B 500000087326	
			Type TB	Number 09 12 005 3001		Rev. B	Page 1/1