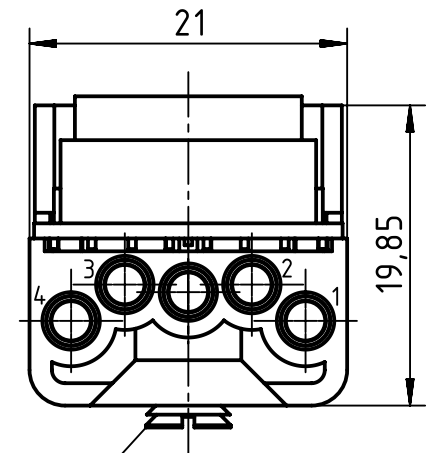
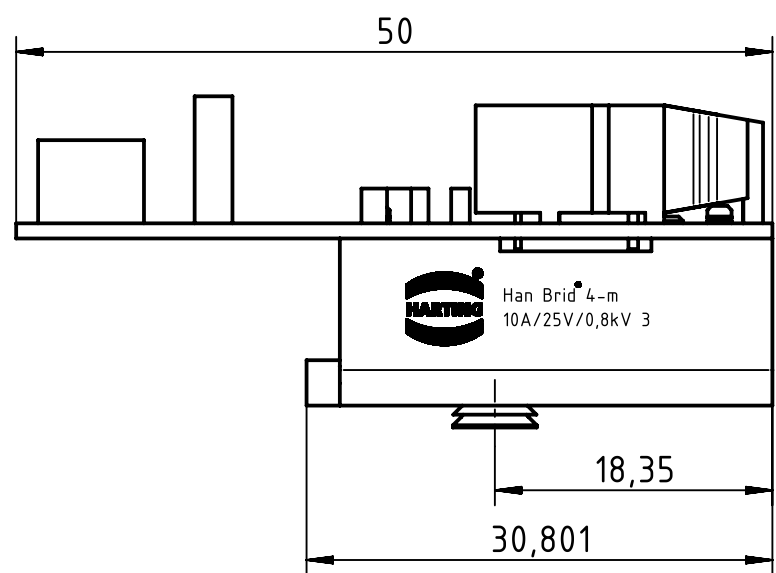
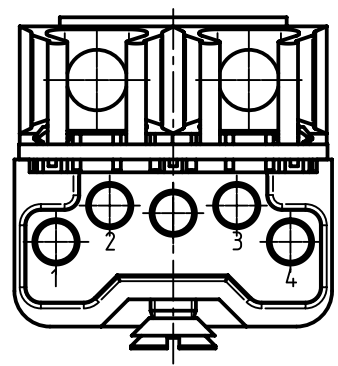


1 2 3 4 5 6

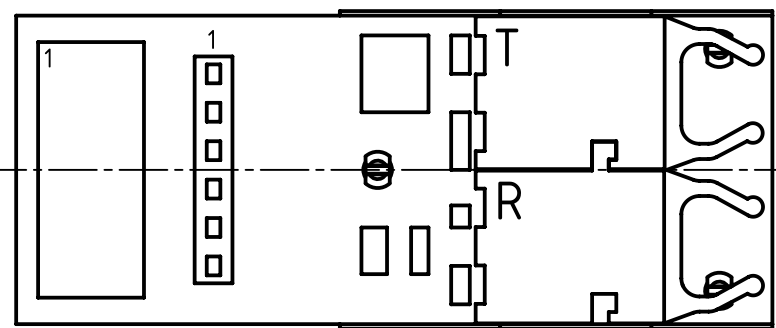
A



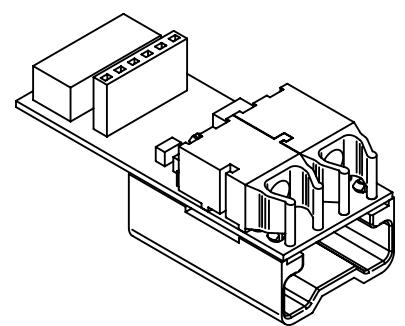
countersunk screw
M3x6 enclosed separately

B

C



pin-out				
	/R	GND	+5VDC	/T
board stacker	5	4,6	1,3	2
IDC	8,9	1,4,7,10	2,3	5,6



D

	All Dimensions in mm Original Size DIN A4		Scale 2:1	Free size tol.		Ref. Sub. TB 09 12 004 2611 v. 08.12.11	
	All rights reserved Department EL PD - DE		Created by FINKEV	Inspected by SCHNIEDER	Standardisation TIEMANNA	Date 2014-05-19	State Final Release
HARTING Electric GmbH & Co. KG D-32339 Espelkamp			Title Han Brid-M + optical module F			Doc-Key / ECM-Nr. 100096351/UGD/006/A 500000073949	
			Type TB	Number 09 12 004 2611		Rev. A	Page 1/1