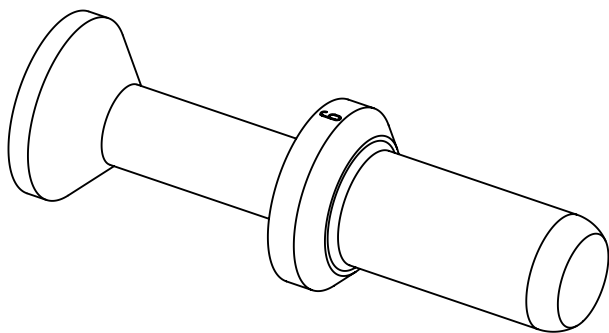
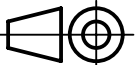



assembly notes see catalog
 crimp zone acc. to DIN EN 46235, indicator 6
 for stranded fine wire acc. to VDE 0295 class 5/ IEC 60228 class 5
 wire gauge: 10mm²
 stripping length: 19mm



	All Dimensions in mm Original Size DIN A4		Scale 2:1	Free size tol.		Ref.
						Sub.
	All rights reserved		Created by SCHULZI	Inspected by SCHNIEDER	Standardisation SCHMIDTM	Date 2015-01-27
	Department EL PD - DE		Title Han TC100 male contact 10mm ²			State Final Release
HARTING Electric GmbH & Co. KG D-32339 Espelkamp			Type TB	Number 09 11 000 6114		Doc-Key / ECM-Nr. 100176611/UGD/007/A 500000082399
					Rev. A	Page 1/1