

QLINE™ I, EMC, TYPE 4X



APPLICATION

The largest-size enclosures in the QLINE™ EMC series, the screw-cover QLINE I protects larger controls from electromagnetic interference in corrosive environments.

SPECIFICATIONS

- Body is impact-resistant polycarbonate
- Polycarbonate material is easily punched, drilled, filed or sawed
- EMC coating in base and cover
- Gasket of silver/silicone
- Mounting holes molded directly under cover screws
- Molded internal pads for mounting optional panels, rails and other components
- Molded internal rails for mounting adjustable depth panel kit
- Screws provided for mounting optional panel
- Easily removable covers attached to body with strong, durable polyamide cross-point cover screws

INDUSTRY STANDARDS

UL 508A Listed; Type 4, 4X, 12, 13; File No. E61997
 cUL Listed per CSA C22.2 No 94; Type 4, 4X, 12, 13; File No. E61997
 Enclosure flammability evaluated per UL 508A

NEMA/EEMAC Type 4, 4X, 12, 13
 IEC 60529, IP66

FINISH

Enclosure material is RAL 7035 light gray outside. Optional panels are conductive steel.

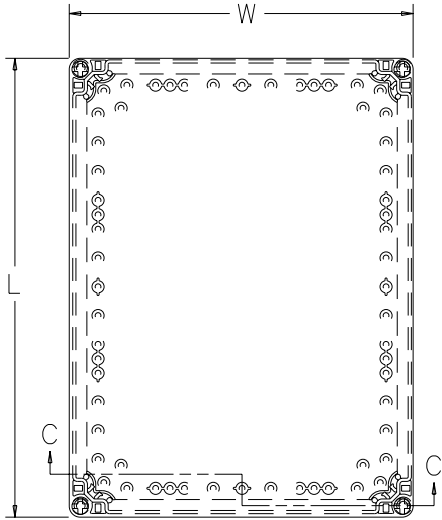
BULLETIN: Q41EM

Standard Product

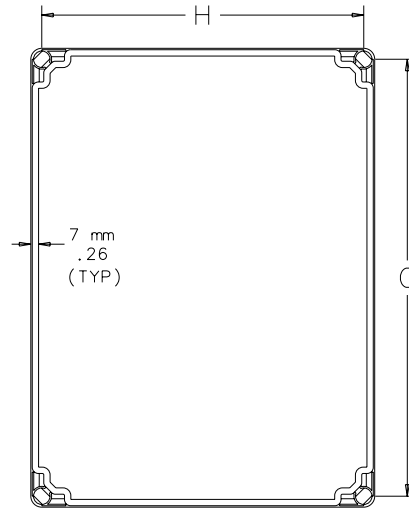
Catalog Number	AxBxC mm/in.	External Dimensions L x W mm/in.	Internal Dimensions A x B x C mm/in.	Panel	Panel Size D x E mm/in.	Mounting G x H mm/in.	F mm/in.	P mm/in.	Q mm/in.	R mm/in.	S mm/in.	T mm/in.	U mm/in.	Y mm/in.	Z mm/in.
Q202013PEMC	200 x 200 x 123 7.90 x 7.90 x 4.80	200 x 200 7.87 x 7.87	188 x 188 7.40 x 7.40	Q2020PI	160 x 160 6.30 x 6.30	180 x 180 7.09 x 7.09	115 4.53	150 5.91	150 5.91	140 5.51	140 5.51	120 4.72	110 4.33	100 3.94	100 3.94
Q302013PEMC	300 x 200 x 123 11.80 x 7.90 x 4.80	300 x 200 11.81 x 7.87	288 x 188 11.34 x 7.40	Q3020PI	260 x 160 10.24 x 6.30	280 x 180 11.02 x 7.09	115 4.53	150 5.91	250 9.84	140 5.51	240 9.45	120 4.72	210 8.27	100 3.94	200 7.87
Q402013PEMC	400 x 200 x 123 15.70 x 7.90 x 4.80	400 x 200 15.75 x 7.87	388 x 188 15.28 x 7.40	Q4020PI	360 x 160 14.17 x 6.30	380 x 180 14.96 x 7.09	115 4.53	150 5.91	350 13.78	140 5.51	340 13.39	120 4.72	310 12.20	100 3.94	300 11.81

Purchase panels separately.

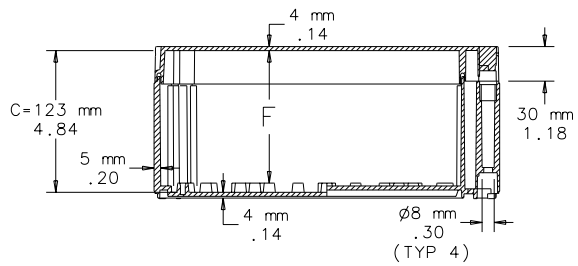
QLINE I Polycarbonate EMC Enclosures Dimension Drawing



TOP VIEW

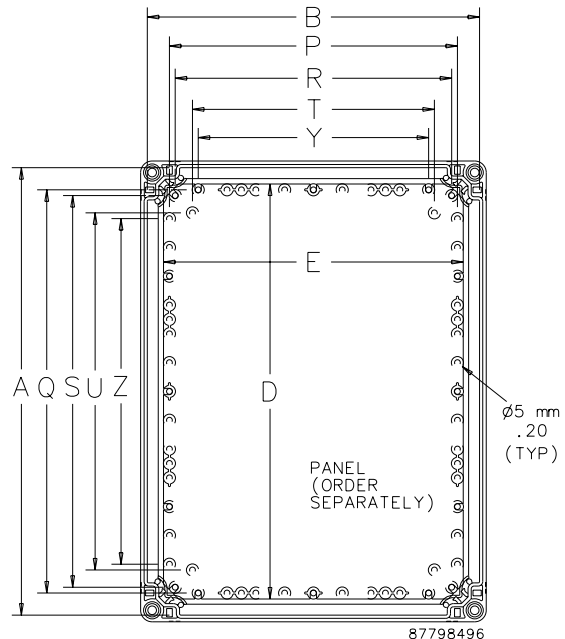


BOTTOM VIEW



SECTION C-C

Note: Panel screws are M5 pan head.



TOP VIEW WITH COVER REMOVED

87798496