

**STAINLESS STEEL PROLINE™-PC PACKAGE, TYPE 12**

**A-T-O**
**APPLICATION**

This enclosure offers effective protection for computer systems in industrial environments. Three separate compartments within the enclosure can be used to protect computer monitors, keyboards, CPUs, printers and other peripheral equipment.

The 19-in. diagonal top window door, hinged on the left, offers viewing access for a variety of monitor sizes and has a small flush swing handle with keylock for system security.

The vented frame shelf in the top compartment is constructed of 16 gauge steel and finished with RAL 7035 textured light-gray polyester powder paint.

The PROLINE™ keyboard compartment includes a locking feature, an angled palm rest, a cable access port for wiring and integral mouse pad holders for left-handed or right-handed persons.

The bottom compartment includes a solid door hinged on the left with a small flush swing handle with keylocking. This compartment can be used to install computer equipment, panel mounted equipment or rack mounted control systems.

The frame is enclosed with solid sides, a solid top and a 100-mm solid base.

A rear mounted solid door with a keylocking flush swing handle offers rear access to the computer equipment and wiring.

*For more information, see PROLINE Assembled Enclosures in the Modular Enclosure Systems chapter.*

**FINISH**

External components have a smooth #4 brushed finish.

External doors, sides, top and base are Type 304 stainless steel.

Keyboard compartment has RAL 9005 textured black polyester powder paint finish.

**ACCESSORIES**

*See also Accessories.*

Caster Kit

Thermoplastic Data Pocket

**MODIFICATION AND CUSTOMIZATION**

Hoffman excels at modifying and customizing products to your specifications. Contact your local Hoffman sales office or distributor for complete information.

**BULLETIN: P20, P20PC, P20S**

**INDUSTRY STANDARDS**

UL 508A Listed; Type 12; File No. E61997  
cUL Listed per CSA C22.2 No 94; Type 12; File No. E61997

NEMA Type 12

CSA File No. 42186; Type 12

IEC 60529, IP55

VDE IP55

**Standard Product**

Catalog Number	AxBxC mm/in.	M mm/in.	N mm/in.	P mm/in.	R mm/in.	Top Door Height mm/in.	Top Door Width mm/in.	Bottom Door Height mm/in.	Bottom Door Width mm/in.
PPC1666SS	1688 x 608 x 599 66.46 x 23.94 x 23.58	343 13.50	365 14.40	585 23.06	1363 53.66	558 21.98	536 21.11	738 29.09	536 21.11

100-mm solid base is included in "A" dimension

**Summary of Components Included in Assembled PROLINE-PC Packages**

Catalog Number	AxBxC mm/in.	Component	Qty.
PFPC1666	1580 x 599 x 588 62.20 x 23.58 x 23.15	Frame, steel	1
PT66SS	0.00	Solid top, stainless steel	1
PDS86SS	0.00	Solid door (bottom), stainless steel	1
PDWT86PCSS	0.00	Window door (top), stainless steel	1
PSS166SS	0.00	Solid side, stainless steel	2
PDS166SS	0.00	Solid door (rear), stainless steel	1
PB166SS	0.00	Solid base (100mm), stainless steel	1
PKBC6R	0.00	Black painted keyboard compartment	1

**Additional Stainless Steel Components Available for PROLINE-PC Enclosures**

Catalog Number	mm/in.	Component
PCSA6SS	0.00	Access cover
PDWG86SS	0.00	Window door (bottom)
PCST86PCSS	0.00	Solid cover (top)
PCS86SS	0.00	Solid cover (bottom)
PDST86PCSS	0.00	Solid cover (bottom)

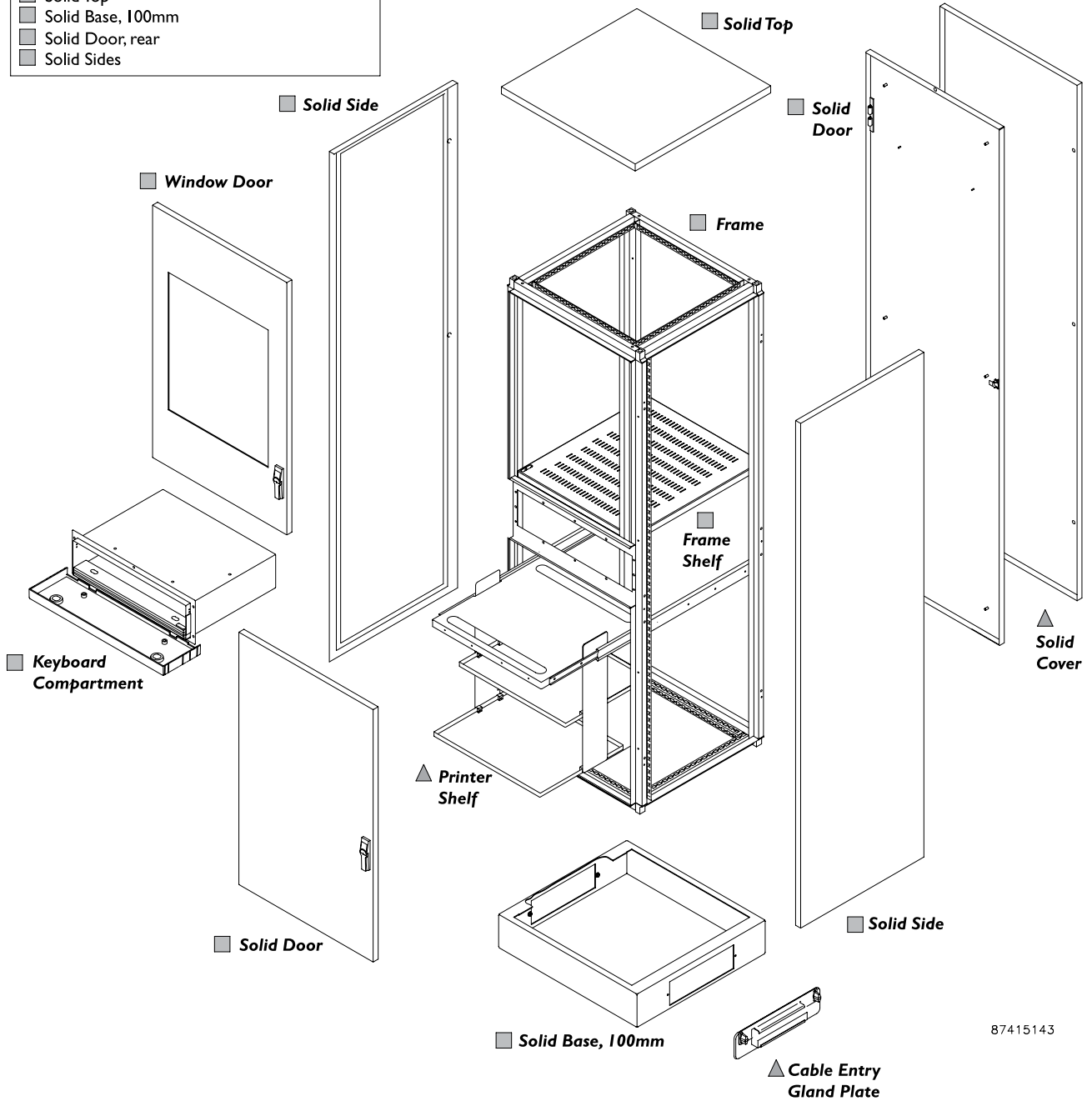
**Standard Configuration**

- Frame
- Frame Shelf, top compartment
- Keyboard Compartment
- Window Door, top front
- Solid Door, bottom front
- Solid Top
- Solid Base, 100mm
- Solid Door, rear
- Solid Sides

**Optional Components**

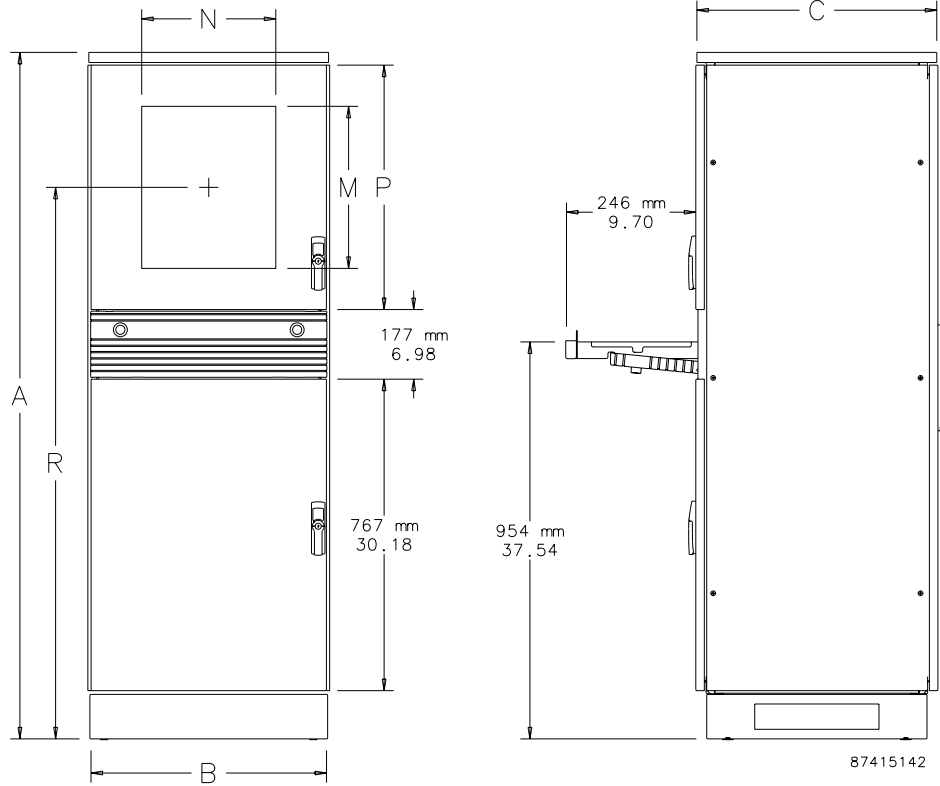
A optional components may be ordered separately. Components labeled **▲** may be included in an **▲** configuration.

NOTE:  
PFPC\_\_\_\_\_ frames have three front openings for top, center, and bottom modular components.

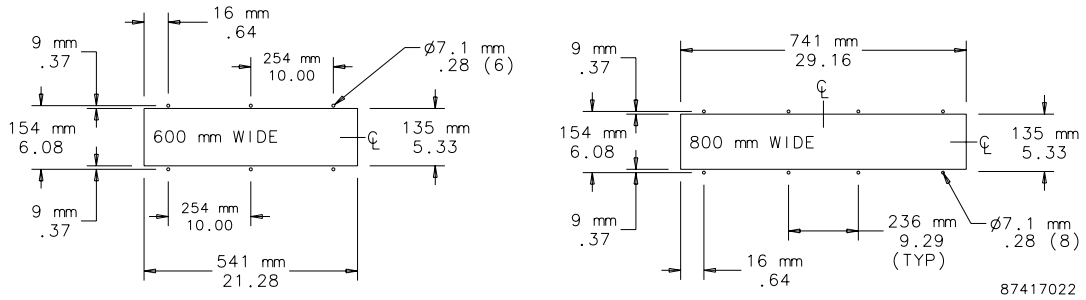


87415143

PROLINE-PC Modular Enclosure



Accessory Front Opening Mounting Cutout



## Notes