

## PROLINE™ GOLD SERIES DESK CONSOLE, TYPE 12



### APPLICATION

The PROLINE™ Gold Series Desk Console provides an ideal surface for mounting HMI controls such as keyboards, switches, lights or dials, and it is ergonomically designed so operators can sit or stand while working. The console also provides a large space for mounting internal components and controls and can be configured in an arc by using the wedge accessory.

### SPECIFICATIONS

- 14 gauge steel body
- 14 and 16 gauge steel doors
- 25-degree sloped top
- Seams continuously welded and ground smooth
- Top door prop allows for single-handed operation
- Built-in top door handle
- Quarter-turn latches hold top door securely closed
- PROLINE latching system and keylocking swing handles on front doors and on rear doors of dual-access enclosures
- Internal rails on dual-access enclosures facilitate mounting of PROLINE internal components
- Full access provides maximum mounting space and easy access to interior components

### FINISH

Finish is RAL 7035 textured light-gray polyester powder paint.

### ACCESSORIES

See also *Accessories*.

- Caster Kit
- Industrial Corrosion Inhibitors
- Thermoplastic Data Pocket
- Electric Heater
- Compact Cooling Fans
- Grid Straps
- Flush Swing Handles
- Key Inserts
- 19-in. Rack Angles
- Touch-Up Paint

**BULLETIN: P11**

### INDUSTRY STANDARDS

UL 508A Listed; Type 4, 12; File Number E61997  
cUL Listed per CSA C22.2 No 94; Type 4, 12; File No. E61997

NEMA/EEMAC Type 4, 12  
IEC 60529, IP55, IP66

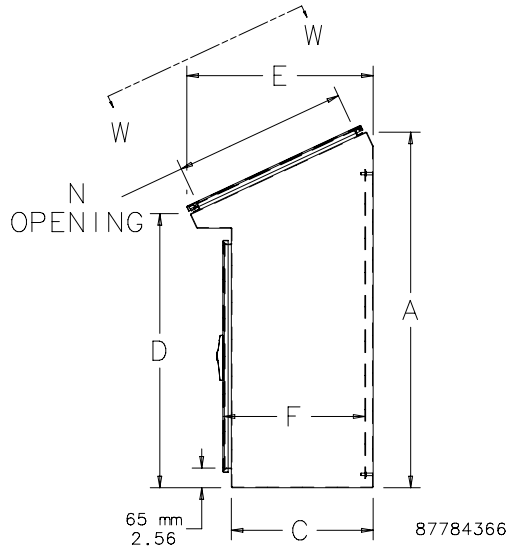
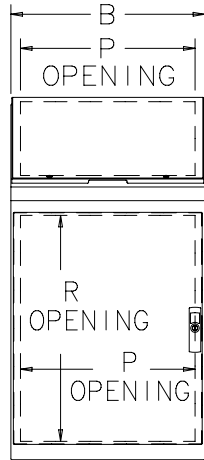
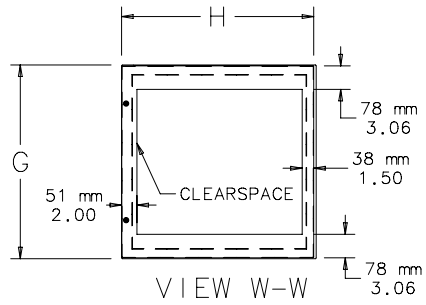
### Standard Product Gold Series Desk Console

Catalog Number	AxBxC mm/in.	D mm/in.	E mm/in.	F mm/in.	G mm/in.	H mm/in.	N mm/in.	P mm/in.	R mm/in.
PGLD1074DC	1000 x 700 x 400 39.37 x 27.56 x 15.75	779 30.69	540 21.27	384 15.12	635 25.00	552 21.72	485 19.11	569 22.40	611 24.07
PGLD10104DC	1000 x 1000 x 400 39.37 x 39.37 x 15.75	779 30.69	540 21.27	384 15.12	940 37.00	552 21.72	485 19.11	874 34.41	611 24.07
PGLD1275DC	1200 x 700 x 500 47.24 x 27.56 x 19.69	907 35.69	616 24.26	460 18.11	635 25.00	635 25.00	569 22.41	569 22.40	739 29.09
PGLD12105DC	1200 x 1000 x 500 47.24 x 39.37 x 19.69	907 35.69	616 24.26	460 18.11	940 37.00	635 25.00	569 22.41	874 34.41	739 29.09

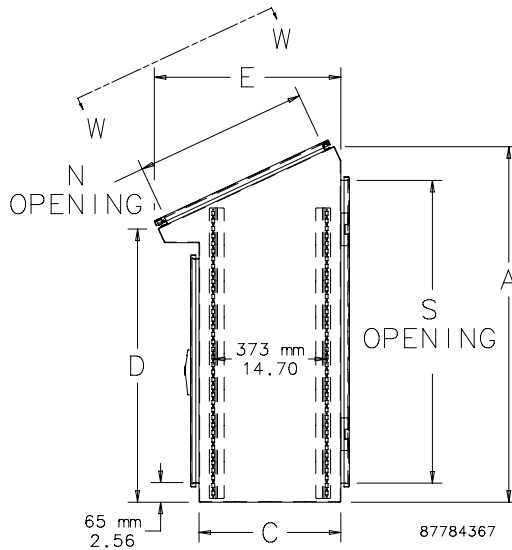
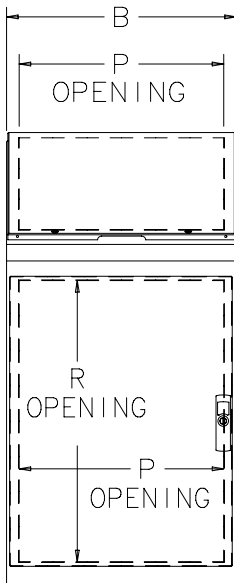
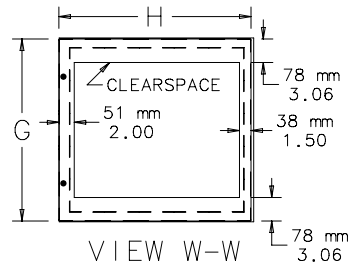
### Standard Product Single-Bay Dual-Access Consoles

Catalog Number	AxBxC mm/in.	D mm/in.	E mm/in.	G (mm)	H (mm)	N mm/in.	P mm/in.	R (mm)	S mm/in.
PGLD1265DC	1200 x 600 x 500 47.24 x 23.62 x 19.69	907 35.71	616 24.26	602 23.70	635 25.00	569 22.40	536 21.10	739 29.09	998 39.27
PGLD1285DC	1200 x 800 x 500 47.24 x 31.50 x 19.69	907 35.71	616 24.26	802 31.57	635 25.00	569 22.40	736 28.98	739 29.09	998 39.27

Gold Series Desk Console



Single-Bay Dual-Access Consoles



**PROLINE™ GOLD SERIES DOUBLE-BAY DESK CONSOLE, TYPE 12**



**SPECIFICATIONS**

- 14 gauge steel body
- 14 and 16 gauge steel doors
- 25-degree sloped top
- Seams continuously welded and ground smooth
- Top door prop allows for single-handed operation
- Built-in top door handle
- Quarter-turn latches hold top door securely closed
- PROLINE latching system and keylocking swing handles on front doors and on rear doors of dual-access enclosures
- Internal rails on dual-access enclosures facilitate mounting of PROLINE internal components
- Full access provides maximum mounting space and easy access to interior components

**INDUSTRY STANDARDS**

UL 508A Listed; Type 12; File Number E61997  
 cUL Listed per CSA C22.2 No 94; File No. E61997

NEMA/EEMAC Type 12  
 IEC 60529, IP 55

**APPLICATION**

The PROLINE™ Gold Series Double-Bay Desk Console provides an ideal surface for mounting HMI controls such as keyboards, switches, lights or dials, and it is ergonomically designed so operators can sit or stand while working. With front and rear doors for easy access, the console provides a large space for mounting internal components and controls and can be configured in an arc by using the wedge accessory.

**FINISH**

Finish is RAL 7035 textured light-gray polyester powder paint.

**ACCESSORIES**

- See also Accessories.*
- Caster Kit
  - Industrial Corrosion Inhibitors
  - Thermoplastic Data Pocket
  - Compact Cooling Fans
  - Grid Straps
  - Flush Swing Handles
  - Key Inserts
  - 19-in. Rack Angles
  - Touch-Up Paint

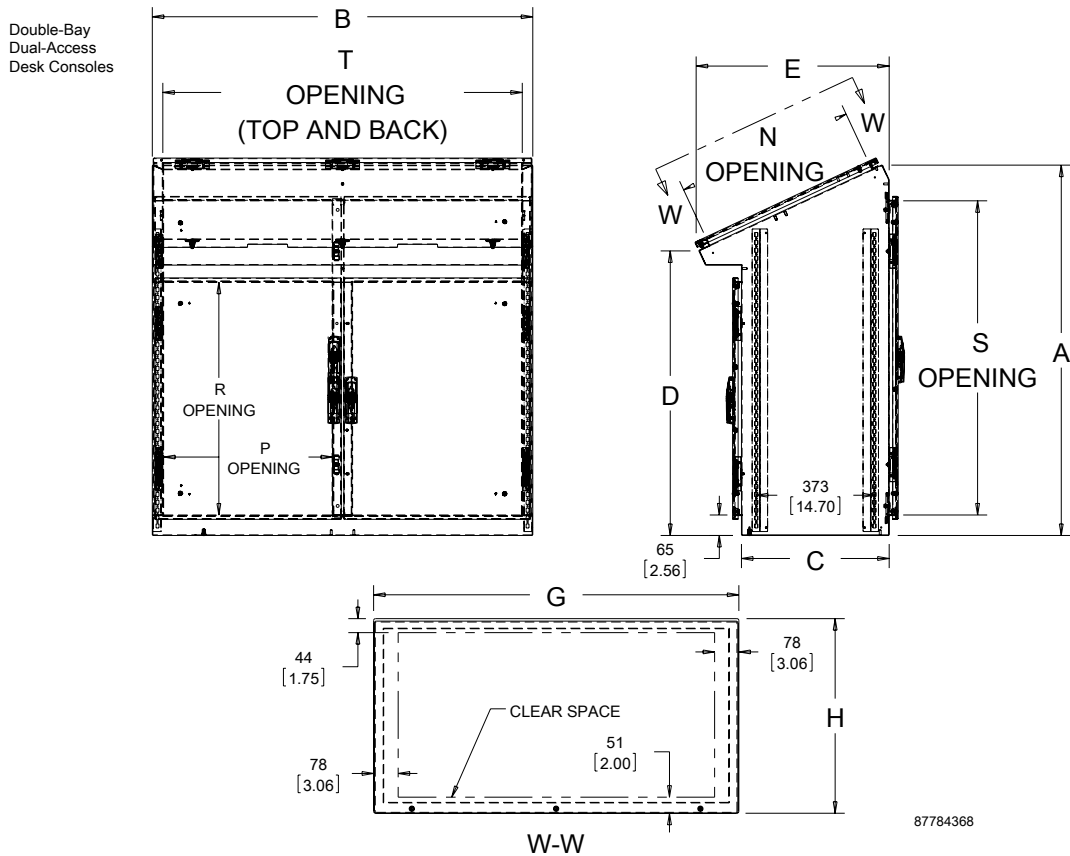
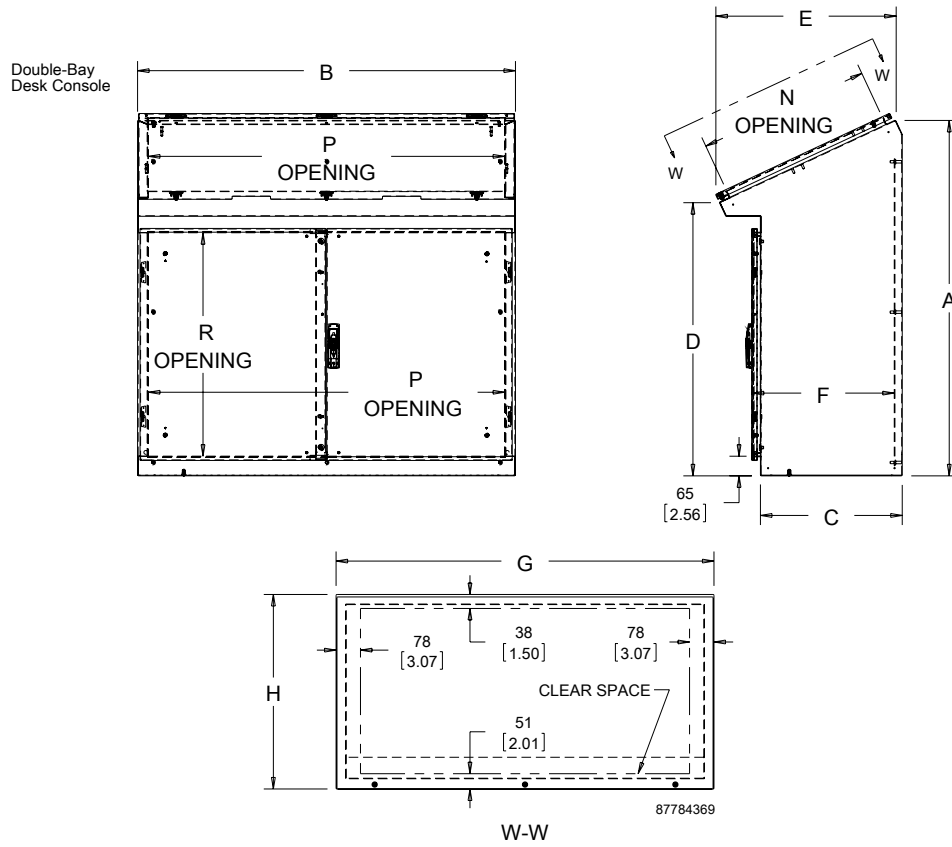
**BULLETIN: P11**

Standard Product **Double-Bay Desk Console**

Catalog Number	AxBxC mm/in.	D mm/in.	E mm/in.	F mm/in.	G mm/in.	H mm/in.	N mm/in.	P mm/in.	R mm/in.
PGLD12135DC	1200 x 1300 x 500	907	616	460	1244	635	569	1178	739
	47.24 x 51.18 x 19.69	35.71	24.25	18.11	48.98	25.00	22.40	46.38	29.09
PGLD12165DC	1200 x 1600 x 500	907	616	460	1549	635	569	1482	739
	47.24 x 62.99 x 19.69	35.71	24.25	18.11	60.98	25.00	22.40	58.35	29.09

Standard Product **Double-Bay Dual-Access Desk Consoles**

Catalog Number	AxBxC mm/in.	D mm/in.	E mm/in.	G mm/in.	H mm/in.	N mm/in.	P mm/in.	R mm/in.	S mm/in.	T mm/in.
PGLD12125DC	1200 x 1200 x 500	907	616	1202	635	569	536	739	998	1136
	47.24 x 47.24 x 19.69	35.71	24.25	47.32	25.00	22.40	21.10	29.09	39.29	44.72



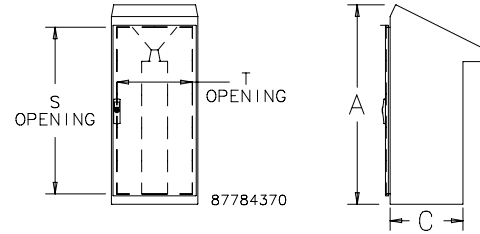
### WEDGE CONSOLES



Optional Wedge Consoles can be positioned between desk consoles. The wedge console top has a 25-degree slope. Optional levelers or casters can be attached by drilling holes at pre-marked locations in the console bottom. Hinged rear access door is standard.

**BULLETIN: P11**

Catalog Number	A mm/in.	C mm/in.	S mm/in.	T mm/in.
PGLD45DC	1198 47.17	443 17.07	998 39.27	449 17.66



### JOINING KIT



Optional Joining Kit provides a means for joining desk consoles or wedges together side to side. Kit includes six bolts, sealing washers and nuts. Two Joining Kits are required for a wedge console. Order separately.

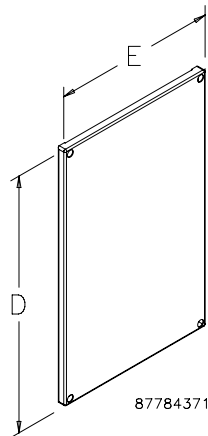
**BULLETIN: P20**

Catalog Number	Description
PJKDC	PROLINE Desk Console Joining Kit

### FULL BACK PANEL

Optional Full Back Panel is 12 gauge galvanized steel. Mounting hardware is included with the enclosure. Order separately.

**BULLETIN: P20**



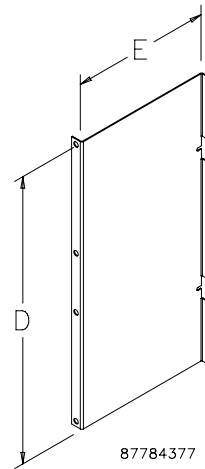
Catalog Number	D mm/in.	E mm/in.	Enclosure
PP96G	869 34.20	564 22.20	PGLD1074DC
PP99G	869 34.20	869 34.20	PGLD10104DC
PP116G	1021 40.20	564 22.20	PGLD1275DC
PP119G	1021 40.20	869 34.20	PGLD12105DC
PP1112G	1021 40.20	1173 46.20	PGLD12135DC
PP1115G	1021 40.20	1478 58.20	PGLD12165DC
PPP96G	835 32.87	530 20.87	PGLD1265DC
PPP98G	835 32.87	730 28.74	PGLD1285DC
PPP812G	835 32.87	1130 44.49	PGLD12125DC

### SIDE-MOUNT PANEL

Optional Side-Mount Panel is 12 gauge galvanized steel. Mounting hardware is included with the panel. Order separately.

BULLETIN: P20

Catalog Number	AxB in.	AxB mm	D (mm)	D (in.)	E (mm)	E (in.)
PPSM64G	24.69 x 13.50	627 x 343	627	24.70	343	13.63
PPSM84G	31.73 x 16.61	806 x 422	807	31.77	422	16.62



### CASTER KIT



A set of four casters (two locking, two non-locking) that mount directly to the bottom of a PROLINE™ frame, 0-mm, or 100-mm Solid Base or a Console. **(Do not use on plinth bases.)** Casters elevate the enclosure 110 mm (4.33 in.) when installed. Caster frames are plated steel with ball-bearing pivots. Caster wheels are made of a black polyamide material. Kit includes M12 mounting hardware. Order separately.

**Casters Maximum Load: 1000 lb. (453 kg)**

Exercise care when using casters to move the cabinet. Avoid tipping and damage to the cabinet and its contents by slowly moving the cabinet on its casters across smooth, flat flooring. Avoid:

- large cracks
- floor displacement
- seams
- gravel
- any other obstruction

**Never use casters while transporting a cabinet by truck on roadways.**

Contact Hoffman if further information is needed.

BULLETIN: P20

Catalog Number	Description
PC1M12	Set of 4 Casters

