

PROLINE™ STAINLESS STEEL HMI ENCLOSURES



INDUSTRY STANDARDS

Sloped Fronts, Front, Rear and Bottom Options

UL 508A Listed; Type 12; File Number E61997
 cUL Listed per CSA C22.2 No 94; Type 12; File Number E61997

NEMA/EEMAC Type 4, 4X, 12
 IEC 60529, IP66

APPLICATION

PROLINE™ Stainless Steel HMI Enclosures provide a comprehensive system for housing Human-Machine Interface (HMI) computers and related control devices in a corrosive environment. With these enclosures you can develop a customized solution that meets your application's requirements exactly, including UL/CSA Type 4X protection.

FEATURES

PROLINE HMI Enclosure System

Numerous PROLINE Components are available in stainless steel. For optional stainless steel pendant arm mounting options, see Hoffman CS480 and CS600 options. See *PROLINE Sloped Front HMI Enclosures in HMI - Human-Machine Interface* chapter for more information. See *PROLINE Assembled Enclosures in Modular Enclosure Systems* section for more information.

Sizes: PROLINE Stainless Steel HMI Enclosures fit most popular HMI models. The basic enclosure has an ergonomically sloped front that positions the screen for easy viewing.

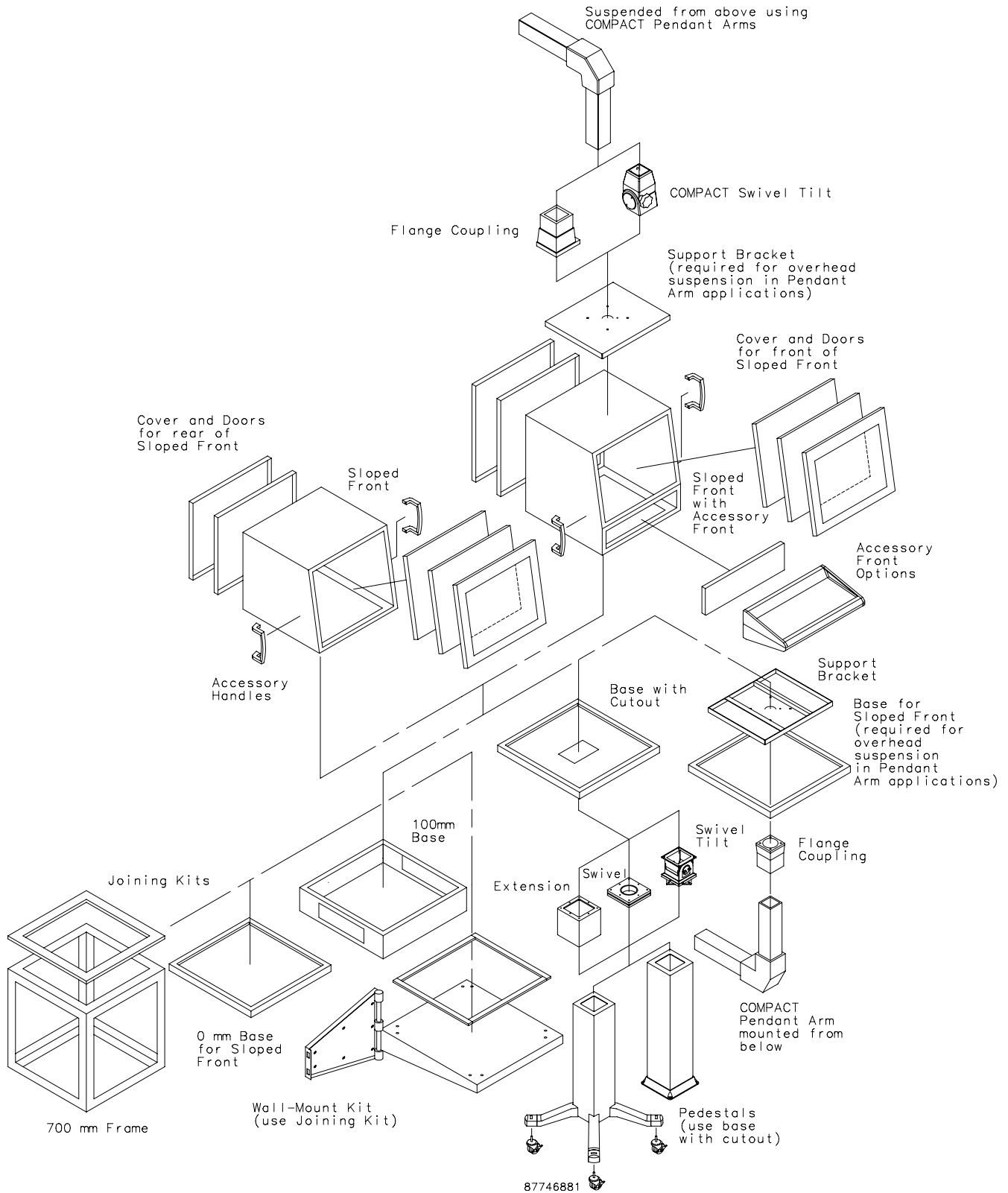
Equipment Mounting: Grid straps, rack angles and panels are available for all enclosure sizes. Large front and rear openings provide easy access.

Enclosure Mounting: The PROLINE system includes several optional mounting methods: stainless steel pendant arm systems, stainless steel pedestals and stainless steel bases. Systems can also be placed on tables, desks or flat surfaces.

Protection from the Harshest Environment: PROLINE Stainless Steel HMI Enclosures meet tough NEMA Type 4X standards (IP 66). Enclosures are constructed of Type 304 stainless steel with stainless steel external hardware. Foam-in-place gasketing provides a tight, consistent seal.

ACCESSORIES

The front of the enclosure can be completed with a solid cover, solid door or window door. A solid cover or access door can be selected for the back. Solid or cutout bases for pedestal mounting are available. Handle and locking options are offered for all doors. Available with an additional front opening to accommodate several accessory front options.



SLOPED FRONT

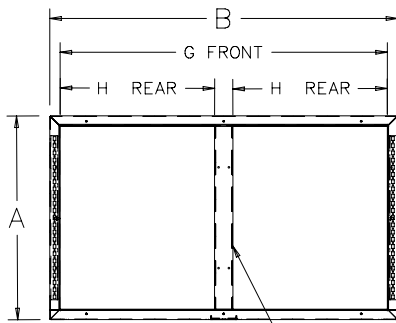
Full front opening for door/cover options has a 5-degree slope. Rear opening(s) for door and cover options. Optional PROLINE frame shelf or PROLINE grid system is recommended to provide a stationary platform for supporting deep equipment. The open bottom is suitable for joining the top to a 700-mm-tall PROLINE frame. The bottom of the 600 x 600-mm sizes can be joined through a cutout base to a pedestal or pendant arm system. A support bracket accessory allows the 600 x 600-mm sizes to be suspended from an overhanging pendant arm. Sloped-front enclosures are Type 304 stainless steel.

See *PROLINE Sloped-Front HMI System and Accessories* in the *HMI - Human-Machine Interface* chapter for more information and drawings.

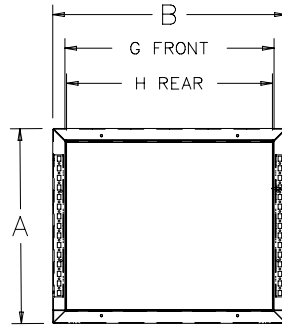
BULLETIN: P9S



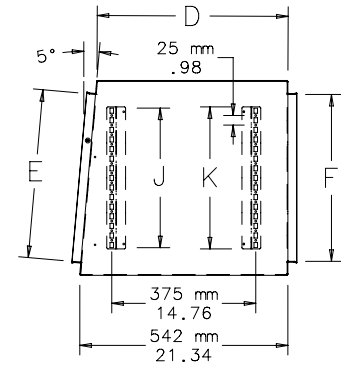
Catalog Number	AxB mm/in.	Description	Nominal Size mm/in.	Front Opening E x G mm/in.	Rear Opening F x H mm/in.	D mm/in.	Internal Mounting J mm/in.	Internal Mounting K mm/in.	Product Weight (lb.)
PST766SS	707 x 608 27.85 x 23.94	Stainless Steel	700 x 600 x 600	641 x 536 25.22 x 21.11	636 x 536 25.02 x 21.11	481 18.92	525 20.67	525 20.67	68.0



1200 mm wide



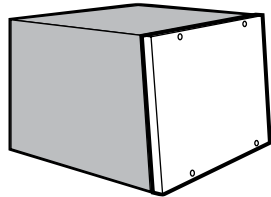
800 mm wide



87746882

CENTERPOST ON REAR OPENING ONLY

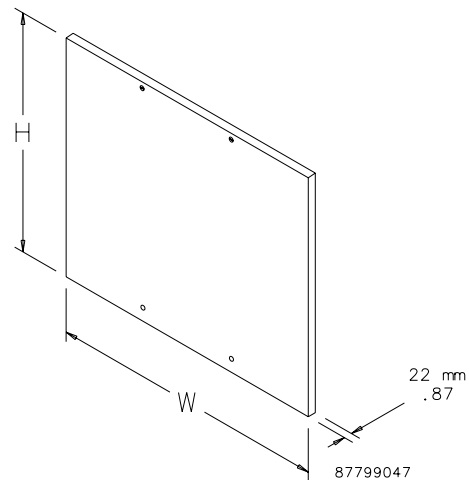
COVERS FOR UPPER FRONT OF PROLINE™ SLOPED FRONTS



Solid 16 gauge Type 304 stainless steel covers are secured to the front opening of a PROLINE sloped front with semi-flush cover screws along the top and bottom cover edges. Ground stud and mounting hardware are included. Seamless foam-in-place gasket assures a water-tight and dust-tight seal.

See *PROLINE Sloped-Front HMI System and Accessories* in the *HMI - Human-Machine Interface* chapter for more information and drawings.

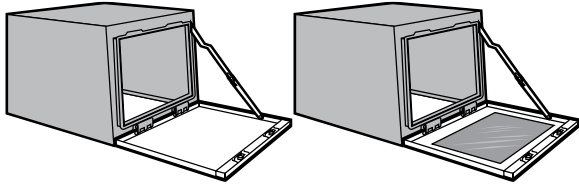
BULLETIN: P9S



87799047

Catalog Number	Description	Cover Size H x W mm/in.	Product Weight (lb.)
PCS58FSS	Stainless Steel	506 x 792 19.93 x 31.17	23.0
PCS76FSS	Stainless Steel	707 x 592 27.84 x 23.30	19.5

DOORS FOR UPPER FRONT OF PROLINE™ SLOPED FRONTS



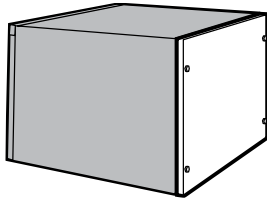
Solid 16 gauge Type 304 stainless steel doors are available with or without windows. Doors are hinged at lower edge and have quarter-turn latches. A stop arm assembly holds the door at 95 degrees [horizontal] from its closed position. Standard latch and insert options are available. Ground stud and mounting hardware are included. Seamless polyurethane foam-in-place gasket assures water-tight and dust-tight seal.

Window doors feature a maximum size polycarbonate or glass window .25-in. thick with a smoke gray tint. Window is field-replaceable.

See *PROLINE Sloped-Front HMI System and Accessories* in the *HMI - Human-Machine Interface* chapter for more information and drawings.

BULLETIN: P9S

COVERS FOR REAR OF PROLINE™ SLOPED FRONTS



Solid 16 gauge Type 304 stainless steel cover fits rear opening of PROLINE sloped fronts and is secured with semi-flush cover screws along right and left cover edges. Use PROLINE frame shelf or PROLINE grid straps to support the operator interface. Seamless foam-in-place gasket assures water-tight and dust-tight seal. Ground stud and mounting hardware are included. Optional tamper-resistant screws are available.

See *PROLINE Sloped Front HMI Enclosures* in *HMI - Human-Machine Interface* chapter for more information.

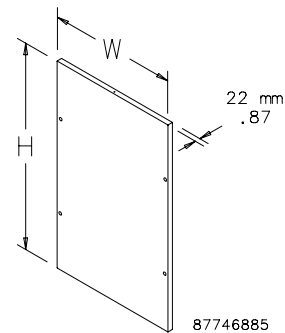
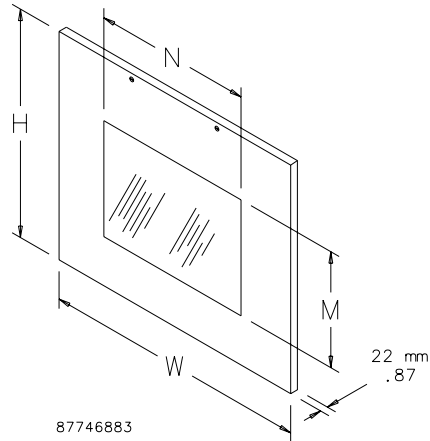
BULLETIN: P9S

Solid Doors

Catalog Number	Description	Door Size H x W mm/in.	Product Weight (lb.)
PDS56FSS	Stainless Steel	504 x 592 19.86 x 23.30	21.5
PDS58FSS	Stainless Steel	504 x 792 19.86 x 31.17	24.0
PDS76FSS	Stainless Steel	705 x 592 27.77 x 23.30	20.5

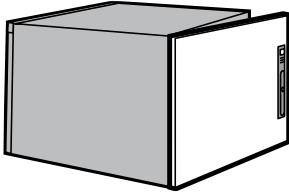
Window Doors

Catalog Number	Description	Door Size H x W mm/in.	Window Size M x N mm/in.	Product Weight (lb.)
PDW58FSS	Stainless Steel	504 x 792 19.86 x 31.17	362 x 635 14.25 x 25.00	24.0



Catalog Number	Description	Cover Size H x W mm/in.	Product Weight (lb.)
PCS76RSS	Stainless Steel	596 x 706 23.47 x 27.79	23.0
PCS5A6RSS	Stainless Steel	679 x 597 26.75 x 23.51	21.0

DOORS FOR REAR OF PROLINE™ SLOPED FRONTS



Solid 16 gauge Type 304 stainless steel rear doors are side-hinged. The hinges are hidden and provide 130-degree door swing. Optional PROLINE 180-degree hinge kit is available. Doors can be hinged from left or right. Door includes two-point latching with a flush slotted quarter-turn insert. Standard PROLINE handle and insert options are available for retrofit (see Accessories for Solid Rear

Doors in HMI - Human-Machine Interface chapter). Use PROLINE frame shelf or PROLINE grid straps to support the operator interface. Ground stud and mounting hardware are included. Seamless foam-in-place gasket assures a water-tight and dust-tight seal.

See *PROLINE Sloped Front HMI Enclosures* in *HMI - Human-Machine Interface* chapter for more information.

BULLETIN: P9S

Catalog Number	Description	Door Size H x W mm/in.	Product Weight (lb.)
PDS76RSS	Stainless Steel	706 x 592 27.79 x 23.30	19.5

PROLINE™ SOLID REAR DOOR ACCESSORIES



Accessories listed here are designed for use with PROLINE Sloped Front rear doors.

See *PROLINE Accessories in the Modular Enclosure Systems* chapter.

BULLETIN: P20, UX1Y

Flush Handle

Catalog Number	Description
PSHKBL	One handle and two keys

Data Pockets

Catalog Number	Description
ADP1	Small data pocket
ADP2	Large data pocket

Key Inserts

Catalog Number	Description
PKOTM7	7-mm triangle
PKOTM8	8-mm triangle
PKOTM65	CNOMO
PKOSM7	7-mm square
PKOSM8	8-mm square
PKOGBK3	Double-bit with 13-mm pin

STAINLESS STEEL PEDESTAL

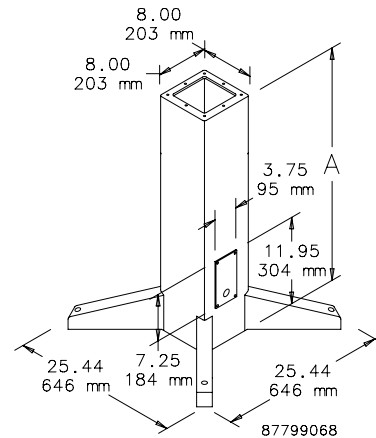


Pedestal is 36-in. (914-mm) tall and provides optimal viewing and operating height. Tube is 14 gauge Type 304 one-piece construction. Legs are 7 gauge Type 304 for rigidity. Cable access plate and leg levelers are included. Leg levelers can be removed for anchoring pedestal to floor. Pedestal has smooth vertical brushed finish.

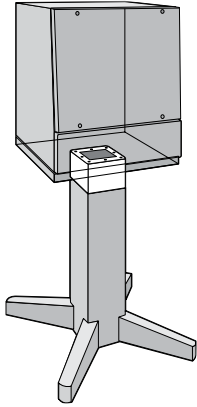
Pedestal will accept pedestal accessories that are not stainless steel. These include swivel tilt, swivel and angle adapters.

BULLETIN: P1S

Catalog Number	A in./mm	Description
AP36SS	36.00 914	Stainless steel pedestal



STAINLESS STEEL EXTENSION

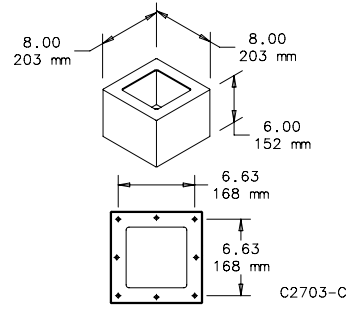


Pedestal extension can be ordered separately to provide additional 6 in. (152 mm) of height for standing position. Extension is 14 gauge Type 304 stainless steel with a smooth brushed finish.

Extension will accept pedestal accessories that are not stainless steel. These include swivel tilt, swivel and angle adapters.

BULLETIN: P1S

Catalog Number	Description
APE6SS	Stainless Steel



HOLE PATTERN