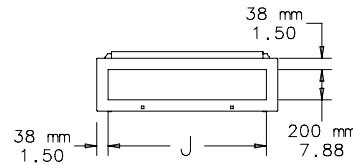
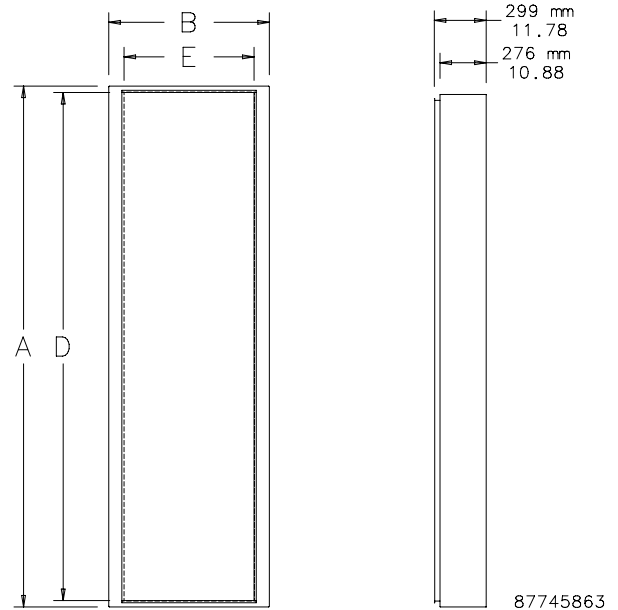


CABLE ENTRY CABINETS


Cable Entry Cabinets are made from 14 gauge steel and finished in RAL 7035 textured light-gray polyester powder paint. They facilitate cable entry into the sides of enclosures. Open top and bottom of cabinet provide cable access and a means for managing cable.

Closure plates, available as optional accessories, seal the open ends of the cabinet. Front opening of cabinet can be closed with either hinged solid door or screw-on solid cover. Cabinets have foam-in-place gasket and optional accessories to maintain enclosure environmental integrity.

BULLETIN: P20

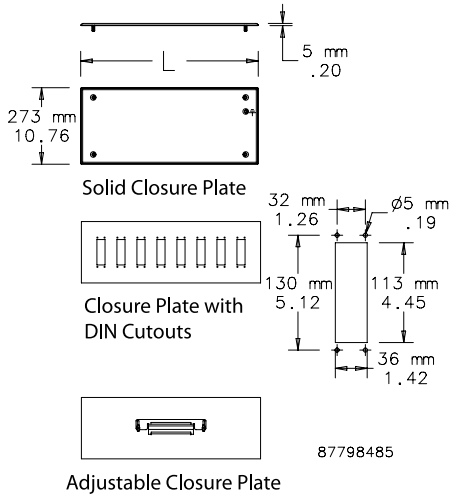


Catalog Number	AxBxC mm/in.	Fits Frame	D mm/in.	E mm/in.	J mm/in.
PCE165300	1539 x 500 60.59 x 19.69	1600 tall x 500 deep	1518 59.78	415 16.34	424 16.69
PCE166300	1539 x 600 60.59 x 23.62	1600 tall x 600 deep	1518 59.78	515 20.28	524 20.62
PCE168300	1539 x 800 60.59 x 31.50	1600 tall x 800 deep	1518 59.78	715 28.15	724 28.50
PCE186300	1739 x 600 68.47 x 23.62	1800 tall x 600 deep	1718 67.65	515 20.28	524 20.62
PCE188300	1739 x 800 68.47 x 31.50	1800 tall x 800 deep	1718 67.65	715 28.15	724 28.50
PCE205300	1939 x 500 76.34 x 19.69	2000 tall x 500 deep	1918 75.52	415 16.34	424 16.69
PCE206300	1939 x 600 76.34 x 23.62	2000 tall x 600 deep	1918 75.52	515 20.28	524 20.62
PCE208300	1939 x 800 76.34 x 31.50	2000 tall x 800 deep	1918 75.52	715 28.15	724 28.50
PCE225300	2139 x 500 84.22 x 19.69	2200 tall x 500 deep	2118 83.40	415 16.34	424 16.69
PCE228300	2139 x 800 84.22 x 31.50	2200 tall x 500 deep	2118 83.40	715 28.15	724 28.50

CLOSURE PLATES **A-T-O**

Closure Plates seal the ends of the cable entry cabinet. Made from 14 gauge steel and finished with RAL 7035 textured gray polyester powder paint.

BULLETIN: P20



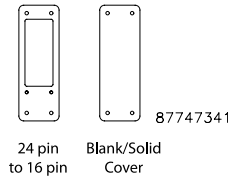
Catalog Number	Description	L mm/in.	Number of DIN Cutouts
PCECGP5	Solid-Fits 500-mm wide cable entry cabinets	497 19.57	—
PCECGP6	Solid-Fits 600-mm wide cable entry cabinets	597 23.51	—
PCECGP8	Solid-Fits 800-mm wide cable entry cabinets	797 31.38	—
PCECGPD5	With DIN cutouts-Fits 500-mm wide cable entry cabinets	497 19.57	5
PCECGPD8	With DIN cutouts-Fits 800-mm wide cable entry cabinets	797 31.38	8
PCEGPA6	Adjustable-Fits 600-mm wide cable entry cabinets	597 23.51	—
PCEGPA8	Adjustable-Fits 800-mm wide cable entry cabinets	797 31.38	—

CLOSURE PLATE ADAPTERS FOR CUTOUTS **A-T-O**

Adapters are used with closure plates containing cutouts. Made from 12 gauge steel and finished with RAL 7035 textured gray polyester powder paint. Allows the option of adapting from 24-pin to 16-pin, 24-pin to 10-pin, 24-pin to 6-pin and 24-pin to no pins (blank).

BULLETIN: P20

Closure Plate Adapters



Catalog Number	Description	Adapter Qty./Package
PAD240	From 24-pin to blank solid cover	1
PAD2416	From 24-pin to 16-pin	1
PAD2410	From 24-pin to 10-pin	1
PAD246	From 24-pin to 6-pin	1

Adapters fit all cable entry cabinets and barriers with 24-pin DIN connector cutouts.