

**DRAWN PUSHBUTTON ENCLOSURES, TYPE 4**

**INDUSTRY STANDARDS**

UL 508A Listed; Type 4, 12, 13; File No. E61997  
 cUL Listed per CSA C22.2 No. 94; Type 4, 12, 13; File No. E61997

NEMA/EEMAC Type 4, 12, 13  
 IEC 60529, IP66

## Standard Product

Catalog Number	AxBxC in./mm	Hole Size	Number of Holes	Mounting G x H in./mm	Cover Type	Enclosure Depth																		
						P + V in./mm	F in./mm	K in./mm	L in./mm	M in./mm	P in./mm	Q in./mm	R in./mm	S in./mm	T in./mm	V in./mm	W in./mm	Y in./mm						
ED1PB1	4.50 x 2.88 x 2.62 114 x 73 x 67	30.5 mm	1	5.00 x 1.12 127 x 29	Flat	—	—	—	—	—	—	—	—	—	—	—	—	—	—	—	—	—	—	2.78 71
ED1PB2	3.50 x 4.00 x 2.75 89 x 102 x 70	30.5 mm	1	4.00 x 2.38 102 x 60	Flat	—	3.00 76	1.50 38	4.50 114	4.00 102	—	—	—	—	2.06 52	2.56 65	2.98 76	4.50 114	2.00 51	—	—	—	—	—
ED2PB	5.75 x 4.00 x 2.75 146 x 102 x 70	30.5 mm	2	6.25 x 2.38 159 x 60	Flat	—	3.00 76	3.75 95	6.75 171	6.25 159	—	—	—	—	4.31 109	2.56 65	2.98 76	4.50 114	2.00 51	—	—	—	—	—
ED3PB	8.00 x 4.00 x 2.75 203 x 102 x 70	30.5 mm	3	8.50 x 2.38 216 x 60	Flat	—	3.00 76	6.00 152	9.00 229	8.50 216	—	—	—	—	6.56 167	2.56 65	2.98 76	4.50 114	2.00 51	—	—	—	—	—
ED4PB	10.25 x 4.00 x 2.75 260 x 102 x 70	30.5 mm	4	10.75 x 2.38 273 x 60	Flat	—	3.00 76	8.25 210	11.25 286	10.75 273	—	—	—	—	8.81 224	2.56 65	2.98 76	4.50 114	2.00 51	—	—	—	—	—
ED1PBX	3.50 x 4.00 x 3.75 89 x 102 x 95	30.5 mm	1	4.00 x 2.38 102 x 60	Dome	4.98 126	3.00 76	1.50 38	4.50 114	4.00 102	1.00 25	3.03 77	2.53 64	2.06 52	2.56 65	3.98 101	4.50 114	2.00 51	—	—	—	—	—	—
ED1PBXM	3.50 x 4.00 x 3.75 89 x 102 x 95	22.5 mm	1	4.00 x 2.38 102 x 60	Dome	4.98 126	3.00 76	1.50 38	4.50 114	4.00 102	1.00 25	3.03 77	2.53 64	2.06 52	2.56 65	3.98 101	4.50 114	2.00 51	—	—	—	—	—	—
ED2PBX	5.75 x 4.00 x 3.75 146 x 102 x 95	30.5 mm	2	6.25 x 2.38 159 x 60	Dome	4.98 126	3.00 76	3.75 95	6.75 171	6.25 159	1.00 25	3.03 77	4.78 121	4.31 109	2.56 65	3.98 101	4.50 114	2.00 51	—	—	—	—	—	—
ED2PBXM	5.75 x 4.00 x 3.75 146 x 102 x 95	22.5 mm	2	6.25 x 2.38 159 x 60	Dome	4.98 126	3.00 76	3.75 95	6.75 171	6.25 159	1.00 25	3.03 77	4.78 121	4.31 109	2.56 65	3.98 101	4.50 114	2.00 51	—	—	—	—	—	—
ED3PBX	8.00 x 4.00 x 3.75 203 x 102 x 95	30.5 mm	3	8.50 x 2.38 216 x 60	Dome	4.98 126	3.00 76	6.00 152	9.00 229	8.50 216	1.00 25	3.03 77	7.03 179	6.56 167	2.56 65	3.98 101	4.50 114	2.00 51	—	—	—	—	—	—
ED3PBXM	8.00 x 4.00 x 3.75 203 x 102 x 95	22.5 mm	3	8.50 x 2.38 216 x 60	Dome	4.98 126	3.00 76	6.00 152	9.00 229	8.50 216	1.00 25	3.03 77	7.03 179	6.56 167	2.56 65	3.98 101	4.50 114	2.00 51	—	—	—	—	—	—
ED4PBX	10.25 x 4.00 x 3.75 260 x 102 x 95	30.5 mm	4	10.75 x 2.38 273 x 60	Dome	4.98 126	3.00 76	8.25 210	11.25 286	10.75 273	1.00 25	3.03 77	9.25 235	8.81 224	2.56 65	3.98 101	4.50 114	2.00 51	—	—	—	—	—	—
ED4PBXM	10.25 x 4.00 x 3.75 260 x 102 x 95	22.5 mm	4	10.75 x 2.38 273 x 60	Dome	4.98 126	3.00 76	8.25 210	11.25 286	10.75 273	1.00 25	3.03 77	9.25 235	8.81 224	2.56 65	3.98 101	4.50 114	2.00 51	—	—	—	—	—	—
ED1PBM1	4.50 x 2.88 x 2.62 114 x 73 x 67	22.5 mm	1	5.00 x 1.12 127 x 29	Flat	—	—	—	—	—	—	—	—	—	—	—	—	—	—	—	—	—	—	2.78 71
ED1PBM2	3.50 x 4.00 x 3.75 89 x 102 x 95	22.5 mm	1	4.00 x 2.38 102 x 60	Flat	—	3.00 76	1.50 38	4.50 114	4.00 102	—	—	—	—	2.06 52	2.56 65	3.98 101	4.50 114	2.00 51	—	—	—	—	—
ED2PBM	5.75 x 4.00 x 3.75 146 x 102 x 95	22.5 mm	2	6.25 x 2.38 159 x 60	Flat	—	3.00 76	3.75 95	6.75 171	6.25 159	—	—	—	—	4.31 109	2.56 65	3.98 101	4.50 114	2.00 51	—	—	—	—	—
ED3PBM	8.00 x 4.00 x 3.75 203 x 102 x 95	22.5 mm	3	8.50 x 2.38 216 x 60	Flat	—	3.00 76	6.00 152	9.00 229	8.50 216	—	—	—	—	6.56 167	2.56 65	3.98 101	4.50 114	2.00 51	—	—	—	—	—
ED4PBM	10.25 x 4.00 x 3.75 260 x 102 x 95	22.5 mm	4	10.75 x 2.38 273 x 60	Flat	—	3.00 76	8.25 210	11.25 286	10.75 273	—	—	—	—	8.81 224	2.56 65	3.98 101	4.50 114	2.00 51	—	—	—	—	—

For dimensions of the ED1PB1 and ED1PBM1 enclosures, see catalog number A403DSC in Mild Steel: Screw Cover, Contoured, Type 4. "Y" dimension locates pushbutton hole.

**APPLICATION**

Drawn Pushbutton Enclosures are designed to hold 30.5-mm or 22.5-mm 4-way pushbuttons and switches. These enclosures have no welded seams or sharp corners.

**SPECIFICATIONS**

- Drawn 16 gauge steel; no welded seams or sharp corners
- Cover screws outside gasket sealing surface
- Flat or domed flanged cover
- Grounding nut in body of enclosure
- Bonding provision on cover
- Oil-resistant gasket
- External wall-mounting brackets
- Factory stamped 4-way pushbutton holes

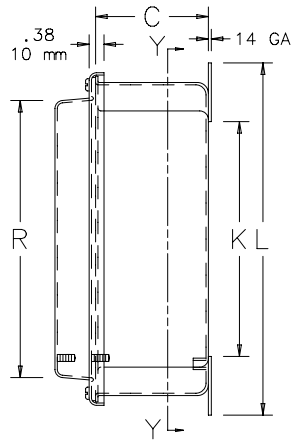
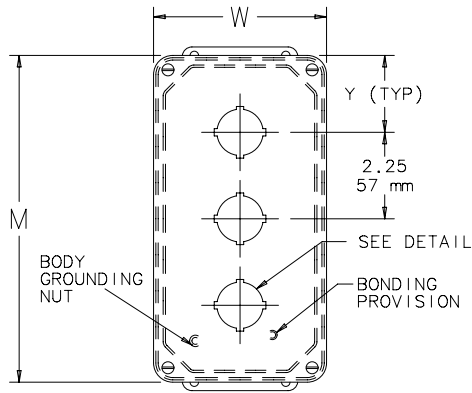
**FINISH**

ANSI 61 gray polyester powder paint inside and out

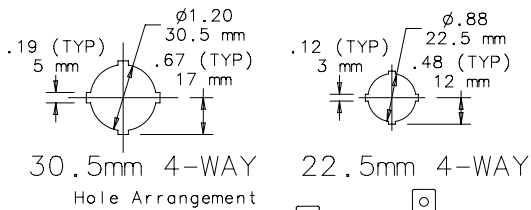
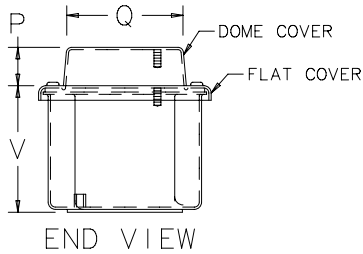
**ACCESSORIES**

See also Accessories.  
 Industrial Corrosion Inhibitors  
 HOL-SEALERS™ Hole Seals

**BULLETIN: PB1**



NOTE:  
 1. External mounting brackets are 14 gauge steel.  
 2. These drawings do not apply to catalog numbers ED1PB1 and ED1PBM1. For enclosure dimensions, see catalog number A403DSC in Mild Steel chapter, Screw Cover, Contoured, Type 4 (S-2927)



30.5mm 4-WAY Hole Arrangement      22.5mm 4-WAY

- |         |         |         |         |
|---------|---------|---------|---------|
|         |         |         |         |
| ED1PB1  | ED2PB   | ED3PB   | ED4PB   |
| ED1PB2  | ED2PBX  | ED3PBX  | ED4PBX  |
| ED1PBX  | ED2PBM  | ED3PBM  | ED4PBM  |
| ED1PBM1 | ED2PBXM | ED3PBXM | ED4PBXM |
| ED1PBXM |         |         |         |

