

HINGED COVER, CONTOURED, TYPE 12

APPLICATION

Use in applications where panel or an extra-deep cover for mounting of controls is desired. Protects equipment from indoor contaminants.

SPECIFICATIONS

- Drawn 16 gauge steel; no welded seams or sharp corners
- Cover is removable and interchangeable
- Unique lift-off hinges
- Oil-tight quarter-turn slotted latches
- Oil-resistant gasket
- Weldnuts provided for mounting optional panels
- Bonding provision on door

FINISH

ANSI 61 gray polyester powder paint inside and out

ACCESSORIES

See also *Accessories*.

Handle Kit

Mounting-Bracket Kits

Panels for Junction Boxes

Terminal Block Kit Assembly for Junction Boxes Overview

Steel and Stainless Steel Window Kits

MODIFICATION AND CUSTOMIZATION

Hoffman excels at modifying and customizing products to your specifications. Contact your local Hoffman sales office or distributor for complete information.

BULLETIN: A51

INDUSTRY STANDARDS

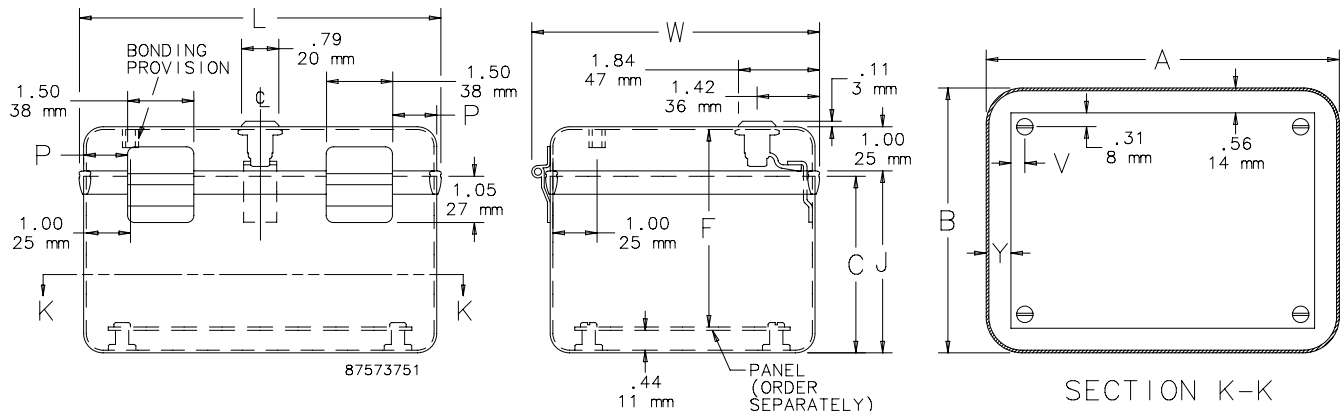
UL 508A Listed; Type 12; File No. E61997
cUL Listed per CSA C22.2 No. 94; Type 12; File No. E61997

NEMA/EEMAC Type 12
IEC 60529, IP55

Standard Product

Catalog Number	AxBxC in./mm	Panel	Conductive Panel	Panel Size in./mm	Overall L x W in./mm	F in./mm	J in./mm	P in./mm	V in./mm	Y in./mm
D664IS	6.00 x 6.00 x 4.00	A6P6	A6P6G	4.88 x 4.88	6.09 x 6.45	4.53	4.08	1.12	0.31	0.56
	152 x 152 x 102			124 x 124	155 x 164	115	104	28	8	14
D864IS	8.00 x 6.00 x 4.00	A8P6	A8P6G	6.75 x 4.88	8.09 x 6.45	4.53	4.08	1.12	0.25	0.62
	203 x 152 x 102			171 x 124	205 x 164	115	104	28	6	16
D1084IS	10.00 x 8.00 x 4.00	A10P8	A10P8G	8.75 x 6.88	10.09 x 8.45	4.53	4.08	1.12	0.25	0.62
	254 x 203 x 102			222 x 175	256 x 215	115	104	28	6	16
D12104IS	12.00 x 10.00 x 4.00	A12P10	A12P10G	10.75 x 8.88	12.09 x 10.45	4.53	4.08	1.25	0.25	0.62
	305 x 254 x 102			273 x 226	307 x 265	115	104	32	6	16
D666IS	6.00 x 6.00 x 6.00	A6P6	A6P6G	4.88 x 4.88	6.09 x 6.45	6.53	6.08	1.12	0.31	0.56
	152 x 152 x 152			124 x 124	155 x 164	166	154	28	8	14
D866IS	8.00 x 6.00 x 6.00	A8P6	A8P6G	6.75 x 4.88	8.09 x 6.45	6.53	6.08	1.12	0.25	0.62
	203 x 152 x 152			171 x 124	205 x 164	166	154	28	6	16
D1086IS	10.00 x 8.00 x 6.00	A10P8	A10P8G	8.75 x 6.88	10.09 x 8.45	6.53	6.08	1.12	0.25	0.62
	254 x 203 x 152			222 x 175	256 x 215	166	154	28	6	16
D12106IS	12.00 x 10.00 x 6.00	A12P10	A12P10G	10.75 x 8.88	12.09 x 10.45	6.53	6.08	1.25	0.25	0.62
	305 x 254 x 152			273 x 226	307 x 265	166	154	32	6	16
D12108IS	12.00 x 10.00 x 8.00	A12P10	A12P10G	10.75 x 8.88	12.09 x 10.45	8.53	8.08	1.25	0.25	0.62
	305 x 254 x 203			273 x 226	307 x 265	217	205	32	6	16

Purchase panels separately. Optional stainless steel, conductive, composite and aluminum panels are available for most sizes.

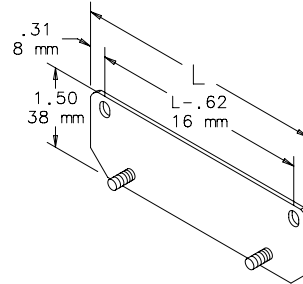


MOUNTING-BRACKET KITS



Includes two 14 gauge steel external mounting brackets and fasteners. Sealing washers are provided to maintain Type 12 rating after installation. Clear plated finish. Requires drilling holes in the enclosure. Mounting template is provided.

BULLETIN: A80



87574633

Catalog Number	Use On
DMFK1	Instrumentation enclosures D664IS through D1086IS
DMFK2	Instrumentation enclosures D12104IS through D12108IS

HANDLE KIT



Non-metallic handle for small enclosures. Includes four rubber bumpers that mount on back of enclosure to protect exterior finish. All mounting hardware and complete installation instructions are provided.

BULLETIN: A80

Catalog Number	Description
DHDLK	Handle kit