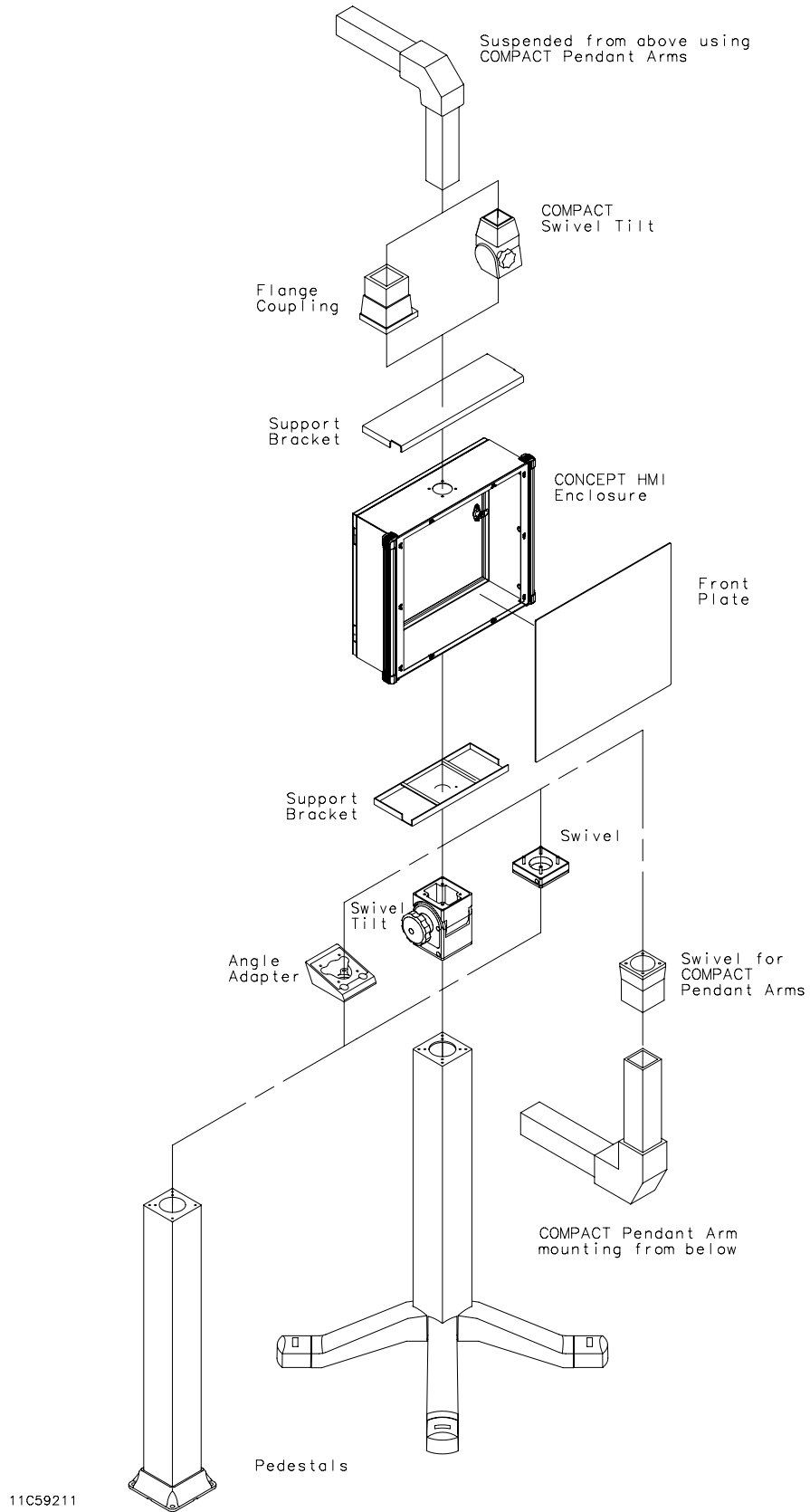


**CONCEPT™ HMI OVERVIEW**

These human-machine interface (HMI) enclosures are appropriate for applications incorporating flat-screen devices, pushbuttons and other similar devices. Available in three depths, the system's capability for pendant or pedestal mounting offers exceptional design flexibility.



**CONCEPT™ HMI, TYPE 4**



**INDUSTRY STANDARDS**

UL 508A Listed; Type 4, 12; File Number E61997  
 cUL Listed per CSA C22.2 No. 94; Type 4, 12; File No. E61997

NEMA Type 4, 12  
 IEC 60529, IP66

**APPLICATION**

A traditional landscape-oriented HMI enclosure made of light-gray steel, the CONCEPT™ HMI is unique among HMI enclosure systems when you need a range of customization options. This pendant- or pedestal-mounted system has many possible configurations and modifications, including a removable front plate that makes it easy to install HMI components and the ability to accommodate cutouts anywhere on the enclosure.

**FEATURES**

- Pre-drilled hole in top for pendant arm mounting
- Pedestal mounting when enclosure is inverted
- Integral handle extrusions have a comfort grip that extends the length of the profile; standard color black
- Blue integral handle extrusions and end caps are also available
- Hinged rear corner-formed door has a single-point latch, seamless foam-in-place gasket and panel studs
- Aluminum front plate

**SPECIFICATIONS**

- Body manufactured from 14 gauge steel
- Front plate is .125-in. aluminum
- Grounding stud on body; bonding provision on door
- Simple easy-to-remove and install hinge pins with built-in captive clip
- High-torque threadless studs and fasteners on door

**FINISH**

Enclosure body and front plate have RAL 7035 light-gray polyester powder paint finish. Standard handle extrusions and end caps have RAL 9005 black polyester powder paint finish.

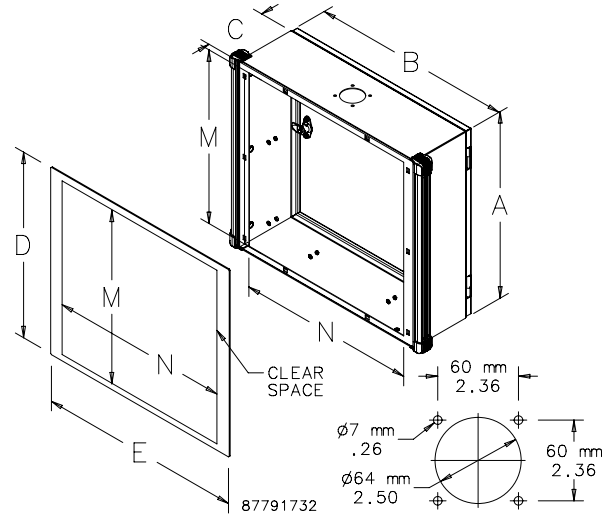
**ACCESSORIES**

- See also Accessories.*
- Industrial Corrosion Inhibitors
  - Thermoplastic Data Pocket
  - Electric Heater
  - Compact Cooling Fans
  - Touch-Up Paint

**MODIFICATION AND CUSTOMIZATION**

Hoffman excels at modifying and customizing products to your specifications. Contact your local Hoffman sales office or distributor for complete information.

**BULLETIN: C2**



Standard Product **CONCEPT HMI Enclosures with Black Extrusions**

| Catalog Number | AxBxC mm        | AxBxC in.             | Front Opening M (mm) | Front Opening M (in.) | Front Opening N (mm) | Front Opening N (in.) | Front Plate D (mm) | Front Plate D (in.) | Front Plate E (mm) | Front Plate E (in.) | Product Weight (lb.) |
|----------------|-----------------|-----------------------|----------------------|-----------------------|----------------------|-----------------------|--------------------|---------------------|--------------------|---------------------|----------------------|
| CP253512       | 250 x 350 x 120 | 9.84 x 13.78 x 4.72   | 210                  | 8.27                  | 280                  | 11.02                 | 250                | 9.86                | 361                | 14.22               | 10.5                 |
| CP304012       | 300 x 400 x 120 | 11.81 x 15.75 x 4.72  | 260                  | 10.24                 | 330                  | 12.99                 | 300                | 11.83               | 411                | 16.19               | 14.9                 |
| CP323512       | 325 x 350 x 120 | 12.80 x 13.78 x 4.72  | 285                  | 11.22                 | 280                  | 11.02                 | 325                | 12.81               | 361                | 14.22               | 16.5                 |
| CP354512       | 350 x 450 x 120 | 13.78 x 17.72 x 4.72  | 310                  | 12.20                 | 380                  | 14.96                 | 350                | 13.79               | 461                | 18.16               | 20.0                 |
| CP354518       | 350 x 450 x 180 | 13.78 x 17.72 x 7.09  | 310                  | 12.20                 | 380                  | 14.96                 | 350                | 13.79               | 461                | 18.16               | 22.3                 |
| CP354530       | 350 x 450 x 300 | 13.78 x 17.72 x 11.80 | 310                  | 12.20                 | 380                  | 14.96                 | 350                | 13.79               | 461                | 18.16               | 26.9                 |
| CP374012       | 375 x 400 x 120 | 14.76 x 15.75 x 4.72  | 335                  | 13.19                 | 330                  | 12.99                 | 375                | 14.78               | 411                | 16.19               | 20.0                 |
| CP405012       | 400 x 500 x 120 | 15.75 x 19.69 x 4.72  | 360                  | 14.17                 | 430                  | 16.93                 | 400                | 15.76               | 511                | 20.13               | 24.3                 |
| CP405018       | 400 x 500 x 180 | 15.75 x 19.69 x 7.09  | 360                  | 14.17                 | 430                  | 16.93                 | 400                | 15.76               | 511                | 20.13               | 26.5                 |
| CP405030       | 400 x 500 x 300 | 15.75 x 19.69 x 11.80 | 360                  | 14.17                 | 430                  | 16.93                 | 400                | 15.76               | 511                | 20.13               | 30.9                 |
| CP424512       | 425 x 450 x 120 | 16.73 x 17.72 x 4.72  | 385                  | 15.16                 | 380                  | 14.96                 | 425                | 16.75               | 461                | 18.16               | 23.9                 |
| CP424518       | 425 x 450 x 180 | 16.73 x 17.72 x 7.09  | 385                  | 15.16                 | 380                  | 14.96                 | 425                | 16.75               | 461                | 18.16               | 25.8                 |
| CP424530       | 425 x 450 x 300 | 16.73 x 17.72 x 11.80 | 385                  | 15.16                 | 380                  | 14.96                 | 425                | 16.75               | 461                | 18.16               | 30.2                 |
| CP455512       | 450 x 550 x 120 | 17.72 x 21.65 x 4.72  | 410                  | 16.14                 | 480                  | 18.90                 | 450                | 17.73               | 561                | 22.10               | 28.6                 |
| CP455518       | 450 x 550 x 180 | 17.72 x 21.65 x 7.09  | 410                  | 16.14                 | 480                  | 18.90                 | 450                | 17.73               | 561                | 22.10               | 31.0                 |
| CP455530       | 450 x 550 x 300 | 17.72 x 21.65 x 11.80 | 410                  | 16.14                 | 480                  | 18.90                 | 450                | 17.73               | 561                | 22.10               | 35.8                 |
| CP475012       | 475 x 500 x 120 | 18.70 x 19.69 x 4.72  | 435                  | 17.13                 | 430                  | 16.93                 | 475                | 18.72               | 511                | 20.13               | 28.0                 |
| CP475018       | 475 x 500 x 180 | 18.70 x 19.69 x 7.09  | 435                  | 17.13                 | 430                  | 16.93                 | 475                | 18.72               | 511                | 20.13               | 30.2                 |
| CP475030       | 475 x 500 x 300 | 18.70 x 19.69 x 11.80 | 435                  | 17.13                 | 430                  | 16.93                 | 475                | 18.72               | 511                | 20.13               | 34.6                 |
| CP486012       | 480 x 600 x 120 | 18.90 x 23.62 x 4.72  | 440                  | 17.32                 | 530                  | 20.87                 | 480                | 18.90               | 611                | 24.06               | 32.2                 |
| CP486018       | 480 x 600 x 180 | 18.90 x 23.62 x 7.09  | 440                  | 17.32                 | 530                  | 20.87                 | 480                | 18.90               | 611                | 24.06               | 34.6                 |
| CP486030       | 480 x 600 x 300 | 18.90 x 23.62 x 11.80 | 440                  | 17.32                 | 530                  | 20.87                 | 480                | 18.90               | 611                | 24.06               | 39.4                 |
| CP525512       | 525 x 550 x 120 | 20.67 x 21.65 x 4.72  | 485                  | 19.09                 | 480                  | 18.90                 | 525                | 20.68               | 561                | 22.10               | 32.5                 |
| CP525518       | 525 x 550 x 180 | 20.67 x 21.65 x 7.09  | 485                  | 19.09                 | 480                  | 18.90                 | 525                | 20.68               | 561                | 22.10               | 34.9                 |
| CP525530       | 525 x 550 x 300 | 20.67 x 21.65 x 11.80 | 485                  | 19.09                 | 480                  | 18.90                 | 525                | 20.68               | 561                | 22.10               | 39.7                 |
| CP556012       | 555 x 600 x 120 | 21.85 x 23.62 x 4.72  | 515                  | 20.28                 | 530                  | 20.87                 | 555                | 21.86               | 611                | 24.06               | 36.8                 |
| CP556018       | 555 x 600 x 180 | 21.85 x 23.62 x 7.09  | 515                  | 20.28                 | 530                  | 20.87                 | 555                | 21.86               | 611                | 24.06               | 38.8                 |
| CP556030       | 555 x 600 x 300 | 21.85 x 23.62 x 11.80 | 515                  | 20.28                 | 530                  | 20.87                 | 555                | 21.86               | 611                | 24.06               | 43.6                 |

Standard Product **CONCEPT HMI Enclosures with Blue Extrusions**

| Catalog Number | AxBxC mm        | AxBxC in.             | Front Opening M (mm) | Front Opening M (in.) | Front Opening N (mm) | Front Opening N (in.) | Front Plate D (mm) | Front Plate D (in.) | Front Plate E (mm) | Front Plate E (in.) | Product Weight (lb.) |
|----------------|-----------------|-----------------------|----------------------|-----------------------|----------------------|-----------------------|--------------------|---------------------|--------------------|---------------------|----------------------|
| CP253512B      | 250 x 350 x 120 | 9.84 x 13.78 x 4.72   | 210                  | 8.27                  | 280                  | 11.02                 | 250                | 9.86                | 361                | 14.22               | 10.5                 |
| CP304012B      | 300 x 400 x 120 | 11.81 x 15.75 x 4.72  | 260                  | 10.24                 | 330                  | 12.99                 | 300                | 11.83               | 411                | 16.19               | 14.9                 |
| CP323512B      | 325 x 350 x 120 | 12.80 x 13.78 x 4.72  | 285                  | 11.22                 | 280                  | 11.02                 | 325                | 12.81               | 361                | 14.22               | 16.5                 |
| CP354512B      | 350 x 450 x 120 | 13.78 x 17.72 x 4.72  | 310                  | 12.20                 | 380                  | 14.96                 | 350                | 13.79               | 461                | 18.16               | 20.0                 |
| CP354518B      | 350 x 450 x 180 | 13.78 x 17.72 x 7.09  | 310                  | 12.20                 | 380                  | 14.96                 | 350                | 13.79               | 461                | 18.16               | 22.3                 |
| CP354530B      | 350 x 450 x 300 | 13.78 x 17.72 x 11.80 | 310                  | 12.20                 | 380                  | 14.96                 | 350                | 13.79               | 461                | 18.16               | 26.9                 |
| CP374012B      | 375 x 400 x 120 | 14.76 x 15.75 x 4.72  | 335                  | 13.19                 | 330                  | 12.99                 | 375                | 14.78               | 411                | 16.19               | 20.0                 |
| CP405012B      | 400 x 500 x 120 | 15.75 x 19.68 x 4.72  | 360                  | 14.17                 | 430                  | 16.93                 | 400                | 15.76               | 511                | 20.13               | 24.3                 |
| CP405018B      | 400 x 500 x 180 | 15.75 x 19.68 x 7.09  | 360                  | 14.17                 | 430                  | 16.93                 | 400                | 15.76               | 511                | 20.13               | 26.5                 |
| CP405030B      | 400 x 500 x 300 | 15.75 x 19.69 x 11.80 | 360                  | 14.17                 | 430                  | 16.93                 | 400                | 15.76               | 511                | 20.13               | 30.9                 |
| CP424512B      | 425 x 450 x 120 | 16.73 x 17.72 x 4.72  | 385                  | 15.16                 | 380                  | 14.96                 | 425                | 16.75               | 461                | 18.16               | 23.9                 |
| CP424518B      | 425 x 450 x 180 | 16.73 x 17.72 x 7.09  | 385                  | 15.16                 | 380                  | 14.96                 | 425                | 16.75               | 461                | 18.16               | 25.8                 |
| CP424530B      | 425 x 450 x 300 | 16.73 x 17.72 x 11.80 | 385                  | 15.16                 | 380                  | 14.96                 | 425                | 16.75               | 461                | 18.16               | 30.2                 |
| CP455512B      | 450 x 550 x 120 | 17.72 x 21.65 x 4.72  | 410                  | 16.14                 | 480                  | 18.90                 | 450                | 17.73               | 561                | 22.10               | 28.6                 |
| CP455518B      | 450 x 550 x 180 | 17.72 x 21.65 x 7.09  | 410                  | 16.14                 | 480                  | 18.90                 | 450                | 17.73               | 561                | 22.10               | 31.0                 |
| CP455530B      | 450 x 550 x 300 | 17.72 x 21.65 x 11.80 | 410                  | 16.14                 | 480                  | 18.90                 | 450                | 17.73               | 561                | 22.10               | 35.8                 |
| CP475012B      | 475 x 500 x 120 | 18.70 x 19.68 x 4.72  | 435                  | 17.13                 | 430                  | 16.93                 | 475                | 18.72               | 511                | 20.13               | 28.0                 |
| CP475018B      | 475 x 500 x 180 | 18.70 x 19.68 x 7.09  | 435                  | 17.13                 | 430                  | 16.93                 | 475                | 18.72               | 511                | 20.13               | 30.2                 |
| CP475030B      | 475 x 500 x 300 | 18.70 x 19.69 x 11.80 | 435                  | 17.13                 | 430                  | 16.93                 | 475                | 18.72               | 511                | 20.13               | 34.6                 |
| CP486012B      | 480 x 600 x 120 | 18.90 x 23.62 x 4.72  | 440                  | 17.32                 | 530                  | 20.87                 | 480                | 18.90               | 611                | 24.06               | 32.2                 |
| CP486018B      | 480 x 600 x 180 | 18.90 x 23.62 x 7.09  | 440                  | 17.32                 | 530                  | 20.87                 | 480                | 18.90               | 611                | 24.06               | 34.6                 |
| CP486030B      | 480 x 600 x 300 | 18.90 x 23.62 x 11.80 | 440                  | 17.32                 | 530                  | 20.87                 | 480                | 18.90               | 611                | 24.06               | 39.4                 |
| CP525512B      | 525 x 550 x 120 | 20.67 x 21.65 x 4.72  | 485                  | 19.09                 | 480                  | 18.90                 | 525                | 20.68               | 561                | 22.10               | 32.5                 |
| CP525518B      | 525 x 550 x 180 | 20.67 x 21.65 x 7.09  | 485                  | 19.09                 | 480                  | 18.90                 | 525                | 20.68               | 561                | 22.10               | 34.9                 |
| CP525530B      | 525 x 550 x 300 | 20.67 x 21.65 x 11.80 | 485                  | 19.09                 | 480                  | 18.90                 | 525                | 20.68               | 561                | 22.10               | 39.7                 |
| CP556012B      | 555 x 600 x 120 | 21.85 x 23.62 x 4.72  | 515                  | 20.28                 | 530                  | 20.87                 | 555                | 21.86               | 611                | 24.06               | 36.8                 |
| CP556018B      | 555 x 600 x 180 | 21.85 x 23.62 x 7.09  | 515                  | 20.28                 | 530                  | 20.87                 | 555                | 21.86               | 611                | 24.06               | 38.8                 |
| CP556030B      | 555 x 600 x 300 | 21.85 x 23.62 x 11.80 | 515                  | 20.28                 | 530                  | 20.87                 | 555                | 21.86               | 611                | 24.06               | 43.6                 |

**ACCENT COLOR**



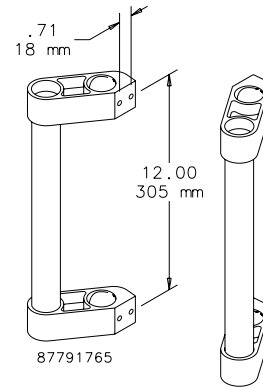
Blue integral handle extrusions and end caps are available. To order, add a B to the end of any enclosure catalog number.

**ACCESSORY HANDLE KIT**



Install handles on the integral handle extrusions or the bottom of the enclosure. Handle is 13.40-in. long and can be cut down to fit smaller enclosure sizes. Aluminum tube has RAL 9005 black polyester powder paint finish. Plastic ends are RAL 9005 black. Kit includes one pair of handles and all mounting hardware.

**BULLETIN: C2**



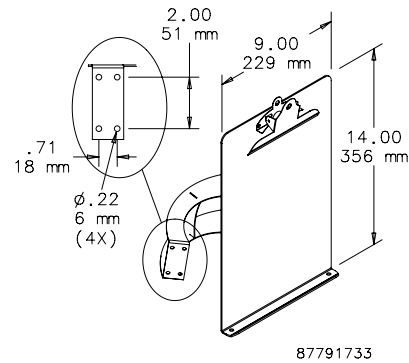
| Catalog Number | Description                               | Product Weight (lb.) |
|----------------|---|----------------------|
| CHDLK          | One pair of handles and mounting hardware | 1.7                  |

**CLIPBOARD/WHITE BOARD**



The Clipboard/White Board can be installed on either handle extrusion. All mounting hardware and installation instructions are included. Finished with white paint. Dry-erase markers can be used on the front writing surface.

**BULLETIN: C2**



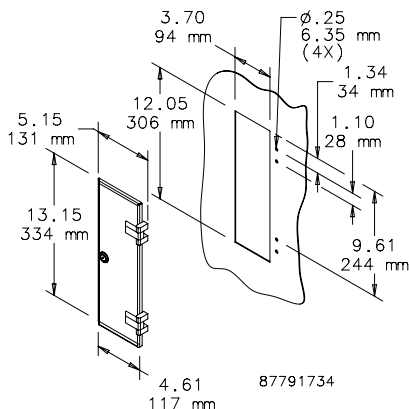
| Catalog Number | Description                     | Product Weight (lb.) |
|----------------|---------------------------------|----------------------|
| CCLPBRD        | Clipboard and mounting hardware | 2                    |

### DRIVE ACCESS DOOR



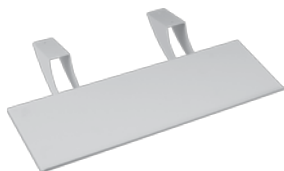
Drive door can be installed only on enclosures to access internal disk drives. Key-locking latch is included. An installation template is included in the installation instructions. All installation hardware is included. RAL 7035 light-gray polyester powder paint finish. Hinges have RAL 9005 black polyester powder paint finish. Maintains NEMA Type 12 rating. Cannot be used on 120-mm deep enclosures.

### BULLETIN: C2



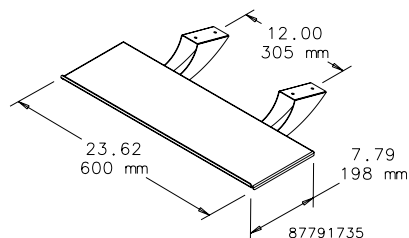
| Catalog Number | Description                    | Product Weight (lb.) |
|----------------|--------------------------------|----------------------|
| CDACDDR        | Door and installation hardware | 1.7                  |

### KEYBOARD TRAY



The Keyboard Tray mounts under the enclosure for a keyboard and mouse. All mounting hardware is included. The tray has RAL 7035 light-gray polyester powder paint finish.

### BULLETIN: C2

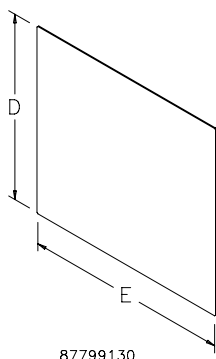


| Catalog Number | Description                         | Product Weight (lb.) |
|----------------|-------------------------------------|----------------------|
| CKBT           | Keyboard tray and mounting hardware | 3.2                  |

### REPLACEMENT FRONT PLATE

Aluminum plate is .125-in. thick. Finish is RAL 7035 light-gray polyester powder paint. Mounting hardware is included.

### BULLETIN: C2



87799130

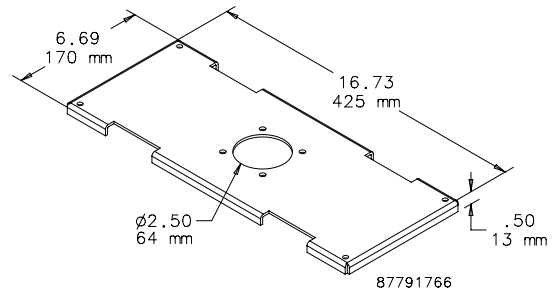
| Catalog Number | D<br>mm/in.  | E<br>mm/in.  | Fits Enclosure<br>A x B<br>mm/in. | Product Weight (lb.) |
|----------------|--------------|--------------|-----------------------------------|----------------------|
| CPFP2535       | 250<br>9.84  | 361<br>14.22 | 250 x 350<br>9.84 x 13.78         | 1.7                  |
| CPFP3040       | 300<br>11.81 | 411<br>16.19 | 300 x 400<br>11.81 x 15.75        | 2.4                  |
| CPFP3235       | 325<br>12.80 | 361<br>14.22 | 325 x 350<br>12.80 x 13.78        | 2.3                  |
| CPFP3545       | 350<br>13.78 | 461<br>18.16 | 350 x 450<br>13.78 x 17.72        | 3.1                  |
| CPFP3740       | 375<br>14.76 | 411<br>16.19 | 375 x 400<br>14.76 x 15.75        | 3.0                  |
| CPFP4050       | 400<br>15.75 | 511<br>20.13 | 400 x 500<br>15.75 x 19.68        | 3.9                  |
| CPFP4245       | 425<br>16.73 | 461<br>18.16 | 425 x 450<br>16.73 x 17.72        | 3.8                  |
| CPFP4555       | 450<br>17.72 | 561<br>22.10 | 450 x 550<br>17.72 x 21.65        | 4.8                  |
| CPFP4750       | 475<br>18.70 | 511<br>20.13 | 475 x 500<br>18.70 x 19.68        | 4.7                  |
| CPFP4860       | 480<br>18.90 | 611<br>24.06 | 480 x 600<br>18.90 x 23.62        | 5.6                  |
| CPFP5255       | 525<br>20.67 | 561<br>22.10 | 525 x 550<br>20.67 x 21.65        | 5.6                  |
| CPFP5560       | 555<br>21.85 | 611<br>24.06 | 555 x 600<br>21.85 x 23.62        | 6.5                  |

### SUPPORT BRACKET

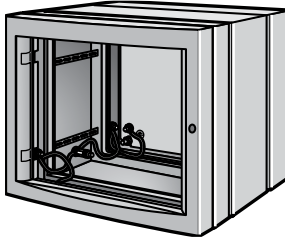
Support Bracket provides extra rigidity in 180-mm-deep enclosures that are either pendant- or pedestal-mounted. The bracket mounts in the top or bottom of the enclosure; drilling is required (drill points included on enclosure). The support bracket is not required for 120-mm-deep enclosures.

**BULLETIN: C2**

| Catalog Number | Description             | Product Weight (lb.) |
|----------------|-------------------------|----------------------|
| CSB180         | One bracket per package | 1.8                  |



### GROUNDING KIT

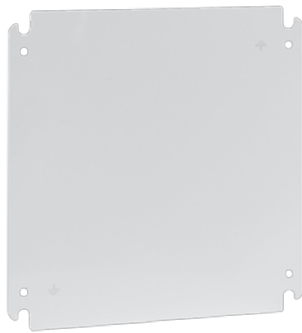


Kit provides a means of attaching a grounding conductor to an enclosure. Kit consists of two insulated copper wires with all installation hardware and instructions included.

**BULLETIN: C2**

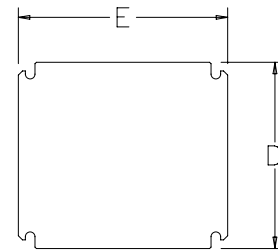
| Catalog Number |
|----------------|
| CCGK           |

### DOOR PANELS



Use CONCEPT™ HMI Door Panels for mounting in the rear door of a CONCEPT HMI enclosure. Constructed of 14 gauge steel and painted white; conductive panels have a galvanized finish.

**BULLETIN: CWP**



87923202

| Catalog Number | Type       | Gauge | D (mm) | D (in.) | E (mm) | E (in.) |
|----------------|------------|-------|--------|---------|--------|---------|
| CP2535         | Steel      | 14    | 131    | 5.18    | 232    | 9.14    |
| CP2535G        | Conductive | 12    | 131    | 5.18    | 232    | 9.14    |
| CP3040         | Steel      | 14    | 181    | 7.15    | 282    | 11.11   |
| CP3040G        | Conductive | 12    | 181    | 7.15    | 282    | 11.11   |
| CP3235         | Steel      | 14    | 206    | 8.13    | 232    | 9.14    |
| CP3235G        | Conductive | 12    | 206    | 8.13    | 232    | 9.14    |
| CP3545         | Steel      | 14    | 232    | 9.12    | 332    | 13.08   |
| CP3545G        | Conductive | 12    | 232    | 9.12    | 332    | 13.08   |
| CP3740         | Steel      | 14    | 256    | 10.10   | 282    | 11.11   |
| CP3740G        | Conductive | 12    | 256    | 10.10   | 282    | 11.11   |
| CP4050         | Steel      | 12    | 281    | 11.09   | 382    | 15.04   |
| CP4050G        | Conductive | 12    | 281    | 11.09   | 382    | 15.04   |
| CP4245         | Steel      | 12    | 306    | 12.07   | 332    | 13.08   |
| CP4245G        | Conductive | 12    | 306    | 12.07   | 332    | 13.08   |
| CP4555         | Steel      | 12    | 331    | 13.05   | 432    | 17.01   |
| CP4555G        | Conductive | 12    | 331    | 13.05   | 432    | 17.01   |
| CP4750         | Steel      | 12    | 356    | 14.04   | 382    | 15.04   |
| CP4750G        | Conductive | 12    | 356    | 14.04   | 382    | 15.04   |
| CP4860         | Steel      | 12    | 361    | 14.23   | 482    | 18.98   |
| CP4860G        | Conductive | 12    | 361    | 14.23   | 482    | 18.98   |
| CP5255         | Steel      | 12    | 407    | 16.01   | 432    | 17.01   |
| CP5255G        | Conductive | 12    | 407    | 16.01   | 432    | 17.01   |
| CP5560         | Steel      | 12    | 436    | 17.19   | 482    | 18.98   |
| CP5560G        | Conductive | 12    | 436    | 17.19   | 482    | 18.98   |

## Notes