

**SCREW-COVER, TYPE 1**

**INDUSTRY STANDARDS**

 UL 50, 50E Listed; Type 1; File No. E27525  
 cUL Listed per CSA C22.2 No 40; Type 1; File No. E27525

 NEMA/EEMAC Type 1  
 IEC 60529, IP30

**APPLICATION**

Use this enclosure in commercial and general industrial applications that require a junction or pull box. For flush installations, order flush covers and door frames separately.

**FEATURES**

- Unique keyhole screw slots in the cover
- Available with or without knockouts. Various sizes of easy-to-remove concentric knockouts on all four sides of standard boxes with knockouts.
- Optional flush-mounted door frame available
- Optional flush covers
- Flat, removable covers fastened with plated steel screws
- Provision for grounding
- Mounting holes on back of box

**SPECIFICATIONS**

- 16, 14 or 12 gauge steel or plated steel

**FINISH**

ANSI 61 gray polyester powder paint finish inside and out. Unless otherwise specified, all custom pull boxes are finished with ANSI 61 gray polyester powder paint.

**ACCESSORIES**

- Flush Covers
- Flush-Mount Door Frames
- Grounding Device
- Type 1 Locking Window Pull Box Accessory
- Touch-Up Paint

**BULLETIN: A90P1**
**Standard Product Screw-Cover Type 1 Pull Boxes with Knockouts**

| Catalog Number | AxBxC in.            | AxBxC mm        | Style      | Number of Cover Screws | Knockout Pattern Along "A" Sides | Knockout Pattern Along "B" Sides |
|----------------|----------------------|-----------------|------------|------------------------|----------------------------------|----------------------------------|
| ASE4X4X3       | 4.00 x 4.00 x 3.00   | 102 x 102 x 76  | Painted    | 2                      | B-C                              | B-C                              |
| ASG4X4X3       | 4.00 x 4.00 x 3.00   | 102 x 102 x 76  | Galvanized | 2                      | B-C                              | B-C                              |
| ASE6X6X3       | 6.00 x 6.00 x 3.00   | 152 x 152 x 76  | Painted    | 2                      | B-C-D                            | B-C-D                            |
| ASG6X6X3       | 6.00 x 6.00 x 3.00   | 152 x 152 x 76  | Galvanized | 2                      | B-C-D                            | B-C-D                            |
| ASE8X6X3       | 8.00 x 6.00 x 3.00   | 203 x 152 x 76  | Painted    | 2                      | F-G-H-I                          | B-C-D                            |
| ASG8X6X3       | 8.00 x 6.00 x 3.00   | 203 x 152 x 76  | Galvanized | 2                      | F-G-H-I                          | B-C-D                            |
| ASE16X14X3     | 16.00 x 14.00 x 3.00 | 406 x 356 x 76  | Painted    | 4                      | B-C-D-E-F-G-H                    | B-C-D-E-F-G-H                    |
| ASE18X14X3     | 18.00 x 14.00 x 3.00 | 457 x 356 x 76  | Painted    | 4                      | A-B-C-D-E-F-G-H-I                | B-C-D-E-F-G-H                    |
| ASE4X4X4       | 4.00 x 4.00 x 4.00   | 102 x 102 x 102 | Painted    | 2                      | B-C                              | B-C                              |
| ASG4X4X4       | 4.00 x 4.00 x 4.00   | 102 x 102 x 102 | Galvanized | 2                      | B-C                              | B-C                              |
| ASE6X4X4       | 6.00 x 4.00 x 4.00   | 152 x 102 x 102 | Painted    | 2                      | B-C-D                            | B-C                              |
| ASG6X4X4       | 6.00 x 4.00 x 4.00   | 152 x 102 x 102 | Galvanized | 2                      | B-C-D                            | B-C                              |
| ASE6X6X4       | 6.00 x 6.00 x 4.00   | 152 x 152 x 102 | Painted    | 2                      | B-C-D                            | B-C-D                            |
| ASG6X6X4       | 6.00 x 6.00 x 4.00   | 152 x 152 x 102 | Galvanized | 2                      | B-C-D                            | B-C-D                            |
| ASE8X6X4       | 8.00 x 6.00 x 4.00   | 203 x 152 x 102 | Painted    | 2                      | F-G-H-I                          | B-C-D                            |
| ASG8X6X4       | 8.00 x 6.00 x 4.00   | 203 x 152 x 102 | Galvanized | 2                      | F-G-H-I                          | B-C-D                            |
| ASE8X8X4       | 8.00 x 8.00 x 4.00   | 203 x 203 x 102 | Painted    | 4                      | F-G-H-I                          | F-G-H-I                          |
| ASG8X8X4       | 8.00 x 8.00 x 4.00   | 203 x 203 x 102 | Galvanized | 4                      | F-G-H-I                          | F-G-H-I                          |
| ASE10X8X4      | 10.00 x 8.00 x 4.00  | 254 x 203 x 102 | Painted    | 4                      | F-G-H-I                          | F-G-H-I                          |
| ASG10X8X4      | 10.00 x 8.00 x 4.00  | 254 x 203 x 102 | Galvanized | 4                      | F-G-H-I                          | F-G-H-I                          |
| ASE10X10X4     | 10.00 x 10.00 x 4.00 | 254 x 254 x 102 | Painted    | 4                      | F-G-H-I                          | C-D-E-F-G                        |
| ASG10X10X4     | 10.00 x 10.00 x 4.00 | 254 x 254 x 102 | Galvanized | 4                      | F-G-H-I                          | C-D-E-F-G                        |
| ASE12X8X4      | 12.00 x 8.00 x 4.00  | 305 x 203 x 102 | Painted    | 4                      | C-D-E-F-G                        | F-G-H-I                          |
| ASG12X8X4      | 12.00 x 8.00 x 4.00  | 305 x 203 x 102 | Galvanized | 4                      | C-D-E-F-G                        | F-G-H-I                          |
| ASE12X10X4     | 12.00 x 10.00 x 4.00 | 305 x 254 x 102 | Painted    | 4                      | C-D-E-F-G                        | C-D-E-F-G                        |
| ASG12X10X4     | 12.00 x 10.00 x 4.00 | 305 x 254 x 102 | Galvanized | 4                      | C-D-E-F-G                        | C-D-E-F-G                        |
| ASE12X12X4     | 12.00 x 12.00 x 4.00 | 305 x 305 x 102 | Painted    | 4                      | C-D-E-F-G                        | C-D-E-F-G                        |
| ASG12X12X4     | 12.00 x 12.00 x 4.00 | 305 x 305 x 102 | Galvanized | 4                      | C-D-E-F-G                        | C-D-E-F-G                        |
| ASE16X12X4     | 16.00 x 12.00 x 4.00 | 406 x 305 x 102 | Painted    | 4                      | B-C-D-E-F-G-H                    | C-D-E-F-G                        |
| ASG16X12X4     | 16.00 x 12.00 x 4.00 | 406 x 305 x 102 | Galvanized | 4                      | B-C-D-E-F-G-H                    | C-D-E-F-G                        |
| ASE18X12X4     | 18.00 x 12.00 x 4.00 | 457 x 305 x 102 | Painted    | 4                      | A-B-C-D-E-F-G-H-I                | C-D-E-F-G                        |
| ASG18X12X4     | 18.00 x 12.00 x 4.00 | 457 x 305 x 102 | Galvanized | 4                      | A-B-C-D-E-F-G-H-I                | C-D-E-F-G                        |
| ASE18X18X4     | 18.00 x 18.00 x 4.00 | 457 x 457 x 102 | Painted    | 4                      | A-B-C-D-E-F-G-H-I                | A-B-C-D-E-F-G-H-I                |
| ASG18X18X4     | 18.00 x 18.00 x 4.00 | 457 x 457 x 102 | Galvanized | 4                      | A-B-C-D-E-F-G-H-I                | A-B-C-D-E-F-G-H-I                |
| ASE24X12X4     | 24.00 x 12.00 x 4.00 | 610 x 305 x 102 | Painted    | 4                      | A-B-C-D-E-F-G-H-I                | C-D-E-F-G                        |
| ASG24X12X4     | 24.00 x 12.00 x 4.00 | 610 x 305 x 102 | Galvanized | 4                      | A-B-C-D-E-F-G-H-I                | C-D-E-F-G                        |
| ASE24X24X4     | 24.00 x 24.00 x 4.00 | 610 x 610 x 102 | Painted    | 4                      | A-B-C-D-E-F-G-H-I                | A-B-C-D-E-F-G-H-I                |
| ASG24X24X4     | 24.00 x 24.00 x 4.00 | 610 x 610 x 102 | Galvanized | 4                      | A-B-C-D-E-F-G-H-I                | A-B-C-D-E-F-G-H-I                |
| ASE30X24X4     | 30.00 x 24.00 x 4.00 | 762 x 610 x 102 | Painted    | 6                      | A-B-C-D-E-F-G-H-I                | A-B-C-D-E-F-G-H-I                |

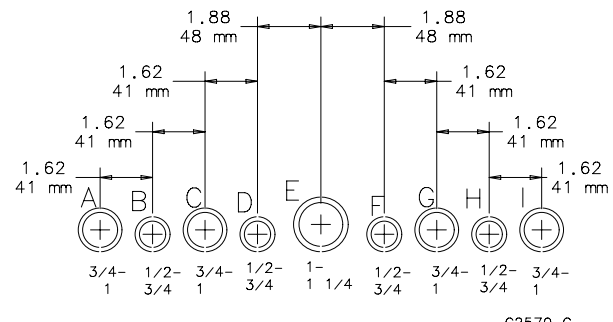
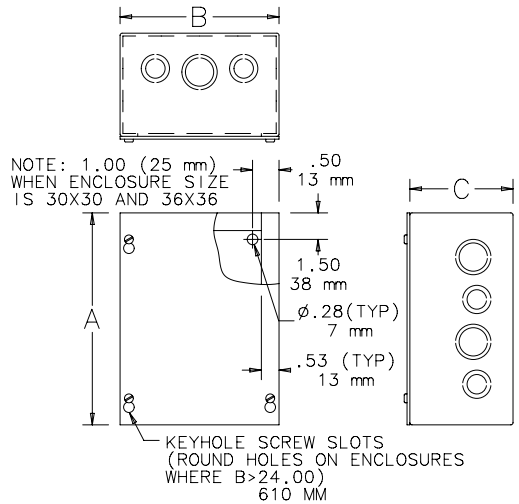
| Catalog Number | AxBxC in.             | AxBxC mm        | Style      | Number of Cover Screws | Knockout Pattern Along "A" Sides | Knockout Pattern Along "B" Sides |
|----------------|-----------------------|-----------------|------------|------------------------|----------------------------------|----------------------------------|
| ASE6X6X6       | 6.00 x 6.00 x 6.00    | 152 x 152 x 152 | Painted    | 2                      | B-C-D                            | B-C-D                            |
| ASG6X6X6       | 6.00 x 6.00 x 6.00    | 152 x 152 x 152 | Galvanized | 2                      | B-C-D                            | B-C-D                            |
| ASE8X6X6       | 8.00 x 6.00 x 6.00    | 203 x 152 x 152 | Painted    | 4                      | F-G-H-I                          | B-C-D                            |
| ASE8X8X6       | 8.00 x 8.00 x 6.00    | 203 x 203 x 152 | Painted    | 4                      | F-G-H-I                          | F-G-H-I                          |
| ASG8X8X6       | 8.00 x 8.00 x 6.00    | 203 x 203 x 152 | Galvanized | 4                      | F-G-H-I                          | F-G-H-I                          |
| ASE10X8X6      | 10.00 x 8.00 x 6.00   | 254 x 203 x 152 | Painted    | 4                      | F-G-H-I                          | F-G-H-I                          |
| ASG10X8X6      | 10.00 x 8.00 x 6.00   | 254 x 203 x 152 | Galvanized | 4                      | F-G-H-I                          | F-G-H-I                          |
| ASE10X10X6     | 10.00 x 10.00 x 6.00  | 254 x 254 x 152 | Painted    | 4                      | F-G-H-I                          | C-D-E-F-G                        |
| ASG10X10X6     | 10.00 x 10.00 x 6.00  | 254 x 254 x 152 | Galvanized | 4                      | F-G-H-I                          | C-D-E-F-G                        |
| ASE12X10X6     | 12.00 x 10.00 x 6.00  | 305 x 254 x 152 | Painted    | 4                      | C-D-E-F-G                        | C-D-E-F-G                        |
| ASG12X10X6     | 12.00 x 10.00 x 6.00  | 305 x 254 x 152 | Galvanized | 4                      | C-D-E-F-G                        | C-D-E-F-G                        |
| ASE12X12X6     | 12.00 x 12.00 x 6.00  | 305 x 305 x 152 | Painted    | 4                      | C-D-E-F-G                        | C-D-E-F-G                        |
| ASG12X12X6     | 12.00 x 12.00 x 6.00  | 305 x 305 x 152 | Galvanized | 4                      | C-D-E-F-G                        | C-D-E-F-G                        |
| ASE16X12X6     | 16.00 x 12.00 x 6.00  | 406 x 305 x 152 | Painted    | 4                      | B-C-D-E-F-G-H                    | C-D-E-F-G                        |
| ASG16X12X6     | 16.00 x 12.00 x 6.00  | 406 x 305 x 152 | Galvanized | 4                      | B-C-D-E-F-G-H                    | C-D-E-F-G                        |
| ASE16X16X6     | 16.00 x 16.00 x 6.00  | 406 x 406 x 152 | Painted    | 4                      | B-C-D-E-F-G-H                    | B-C-D-E-F-G-H                    |
| ASG16X16X6     | 16.00 x 16.00 x 6.00  | 406 x 406 x 152 | Galvanized | 4                      | B-C-D-E-F-G-H                    | B-C-D-E-F-G-H                    |
| ASE18X12X6     | 18.00 x 12.00 x 6.00  | 457 x 305 x 152 | Painted    | 4                      | A-B-C-D-E-F-G-H-I                | C-D-E-F-G                        |
| ASG18X12X6     | 18.00 x 12.00 x 6.00  | 457 x 305 x 152 | Galvanized | 4                      | A-B-C-D-E-F-G-H-I                | C-D-E-F-G                        |
| ASE18X18X6     | 18.00 x 18.00 x 6.00  | 457 x 457 x 152 | Painted    | 4                      | A-B-C-D-E-F-G-H-I                | A-B-C-D-E-F-G-H-I                |
| ASG18X18X6     | 18.00 x 18.00 x 6.00  | 457 x 457 x 152 | Galvanized | 4                      | A-B-C-D-E-F-G-H-I                | A-B-C-D-E-F-G-H-I                |
| ASE24X18X6     | 24.00 x 18.00 x 6.00  | 610 x 457 x 152 | Painted    | 4                      | A-B-C-D-E-F-G-H-I                | A-B-C-D-E-F-G-H-I                |
| ASG24X18X6     | 24.00 x 18.00 x 6.00  | 610 x 457 x 152 | Galvanized | 4                      | A-B-C-D-E-F-G-H-I                | A-B-C-D-E-F-G-H-I                |
| ASE24X24X6     | 24.00 x 24.00 x 6.00  | 610 x 610 x 152 | Painted    | 4                      | A-B-C-D-E-F-G-H-I                | A-B-C-D-E-F-G-H-I                |
| ASG24X24X6     | 24.00 x 24.00 x 6.00  | 610 x 610 x 152 | Galvanized | 4                      | A-B-C-D-E-F-G-H-I                | A-B-C-D-E-F-G-H-I                |
| ASE30X24X6     | 30.00 x 24.00 x 6.00  | 762 x 610 x 152 | Painted    | 6                      | A-B-C-D-E-F-G-H-I                | A-B-C-D-E-F-G-H-I                |
| ASG30X24X6     | 30.00 x 24.00 x 6.00  | 762 x 610 x 152 | Galvanized | 6                      | A-B-C-D-E-F-G-H-I                | A-B-C-D-E-F-G-H-I                |
| ASE36X24X6     | 36.00 x 24.00 x 6.00  | 914 x 610 x 152 | Painted    | 6                      | A-B-C-D-E-F-G-H-I                | A-B-C-D-E-F-G-H-I                |
| ASE8X8X8       | 8.00 x 8.00 x 8.00    | 203 x 203 x 203 | Painted    | 4                      | F-G-H-I                          | F-G-H-I                          |
| ASE12X12X8     | 12.00 x 12.00 x 8.00  | 305 x 305 x 203 | Painted    | 4                      | C-D-E-F-G                        | C-D-E-F-G                        |
| ASG12X12X8     | 12.00 x 12.00 x 8.00  | 305 x 305 x 203 | Galvanized | 4                      | C-D-E-F-G                        | C-D-E-F-G                        |
| ASE16X12X8     | 16.00 x 12.00 x 8.00  | 406 x 305 x 203 | Painted    | 4                      | B-C-D-E-F-G-H                    | C-D-E-F-G                        |
| ASG16X12X8     | 16.00 x 12.00 x 8.00  | 406 x 305 x 203 | Galvanized | 4                      | B-C-D-E-F-G-H                    | C-D-E-F-G                        |
| ASE18X12X8     | 18.00 x 12.00 x 8.00  | 457 x 305 x 203 | Painted    | 4                      | A-B-C-D-E-F-G-H-I                | C-D-E-F-G                        |
| ASG18X12X8     | 18.00 x 12.00 x 8.00  | 457 x 305 x 203 | Galvanized | 4                      | A-B-C-D-E-F-G-H-I                | C-D-E-F-G                        |
| ASE24X12X8     | 24.00 x 12.00 x 8.00  | 610 x 305 x 203 | Painted    | 4                      | A-B-C-D-E-F-G-H-I                | C-D-E-F-G                        |
| ASG24X12X8     | 24.00 x 12.00 x 8.00  | 610 x 305 x 203 | Galvanized | 4                      | A-B-C-D-E-F-G-H-I                | C-D-E-F-G                        |
| ASE24X18X8     | 24.00 x 18.00 x 8.00  | 610 x 457 x 203 | Painted    | 4                      | A-B-C-D-E-F-G-H-I                | A-B-C-D-E-F-G-H-I                |
| ASG24X18X8     | 24.00 x 18.00 x 8.00  | 610 x 457 x 203 | Galvanized | 4                      | A-B-C-D-E-F-G-H-I                | A-B-C-D-E-F-G-H-I                |
| ASE36X24X8     | 36.00 x 24.00 x 8.00  | 914 x 610 x 203 | Painted    | 6                      | A-B-C-D-E-F-G-H-I                | A-B-C-D-E-F-G-H-I                |
| ASE18X12X10    | 18.00 x 12.00 x 10.00 | 457 x 305 x 254 | Painted    | 4                      | A-B-C-D-E-F-G-H-I                | C-D-E-F-G                        |
| ASE18X18X10    | 18.00 x 18.00 x 10.00 | 457 x 457 x 254 | Painted    | 4                      | A-B-C-D-E-F-G-H-I                | A-B-C-D-E-F-G-H-I                |
| ASE24X18X10    | 24.00 x 18.00 x 10.00 | 610 x 457 x 254 | Painted    | 4                      | A-B-C-D-E-F-G-H-I                | A-B-C-D-E-F-G-H-I                |
| ASE24X24X10    | 24.00 x 24.00 x 10.00 | 610 x 610 x 254 | Painted    | 4                      | A-B-C-D-E-F-G-H-I                | A-B-C-D-E-F-G-H-I                |
| ASE36X24X10    | 36.00 x 24.00 x 10.00 | 914 x 610 x 254 | Painted    | 6                      | A-B-C-D-E-F-G-H-I                | A-B-C-D-E-F-G-H-I                |
| ASE24X12X12    | 24.00 x 12.00 x 12.00 | 610 x 305 x 305 | Painted    | 4                      | A-B-C-D-E-F-G-H-I                | C-D-E-F-G                        |
| ASE18X18X12    | 18.00 x 18.00 x 12.00 | 457 x 457 x 305 | Painted    | 4                      | A-B-C-D-E-F-G-H-I                | A-B-C-D-E-F-G-H-I                |
| ASE24X18X12    | 24.00 x 18.00 x 12.00 | 610 x 457 x 305 | Painted    | 4                      | A-B-C-D-E-F-G-H-I                | A-B-C-D-E-F-G-H-I                |
| ASE24X24X12    | 24.00 x 24.00 x 12.00 | 610 x 610 x 305 | Painted    | 4                      | A-B-C-D-E-F-G-H-I                | A-B-C-D-E-F-G-H-I                |
| ASE30X24X12    | 30.00 x 24.00 x 12.00 | 762 x 610 x 305 | Painted    | 6                      | A-B-C-D-E-F-G-H-I                | A-B-C-D-E-F-G-H-I                |
| ASE36X24X12    | 36.00 x 24.00 x 12.00 | 914 x 610 x 305 | Painted    | 6                      | A-B-C-D-E-F-G-H-I                | A-B-C-D-E-F-G-H-I                |

Standard Product **Screw-Cover Type 1 Pull Boxes without Knockouts**

| Catalog Number | AxBxC in.            | AxBxC mm        | Style      | Number of Cover Screws |
|----------------|----------------------|-----------------|------------|------------------------|
| ASE4X4X3NK     | 4.00 x 4.00 x 3.00   | 102 x 102 x 76  | Painted    | 2                      |
| ASG4X4X3NK     | 4.00 x 4.00 x 3.00   | 102 x 102 x 76  | Galvanized | 2                      |
| ASE6X6X3NK     | 6.00 x 6.00 x 3.00   | 152 x 152 x 76  | Painted    | 2                      |
| ASG6X6X3NK     | 6.00 x 6.00 x 3.00   | 152 x 152 x 76  | Galvanized | 2                      |
| ASE8X6X3NK     | 8.00 x 6.00 x 3.00   | 203 x 152 x 76  | Painted    | 2                      |
| ASG8X6X3NK     | 8.00 x 6.00 x 3.00   | 203 x 152 x 76  | Galvanized | 2                      |
| ASE16X14X3NK   | 16.00 x 14.00 x 3.00 | 406 x 356 x 76  | Painted    | 4                      |
| ASE20X14X3NK   | 20.00 x 14.00 x 3.00 | 508 x 356 x 76  | Painted    | 4                      |
| ASE4X4X4NK     | 4.00 x 4.00 x 4.00   | 102 x 102 x 102 | Painted    | 2                      |
| ASG4X4X4NK     | 4.00 x 4.00 x 4.00   | 102 x 102 x 102 | Galvanized | 2                      |
| ASE6X6X4NK     | 6.00 x 6.00 x 4.00   | 152 x 152 x 102 | Painted    | 2                      |
| ASG6X6X4NK     | 6.00 x 6.00 x 4.00   | 152 x 152 x 102 | Galvanized | 2                      |
| ASE6X6X4NK     | 6.00 x 6.00 x 4.00   | 152 x 152 x 102 | Painted    | 2                      |
| ASG6X6X4NK     | 6.00 x 6.00 x 4.00   | 152 x 152 x 102 | Galvanized | 2                      |
| ASE8X6X4NK     | 8.00 x 6.00 x 4.00   | 203 x 152 x 102 | Painted    | 2                      |
| ASG8X6X4NK     | 8.00 x 6.00 x 4.00   | 203 x 152 x 102 | Galvanized | 2                      |
| ASE8X8X4NK     | 8.00 x 8.00 x 4.00   | 203 x 203 x 102 | Painted    | 4                      |
| ASG8X8X4NK     | 8.00 x 8.00 x 4.00   | 203 x 203 x 102 | Galvanized | 4                      |
| ASE10X6X4NK    | 10.00 x 6.00 x 4.00  | 254 x 152 x 102 | Painted    | 4                      |
| ASG10X6X4NK    | 10.00 x 6.00 x 4.00  | 254 x 152 x 102 | Galvanized | 4                      |
| ASE10X8X4NK    | 10.00 x 8.00 x 4.00  | 254 x 203 x 102 | Painted    | 4                      |
| ASG10X8X4NK    | 10.00 x 8.00 x 4.00  | 254 x 203 x 102 | Galvanized | 4                      |
| ASE10X10X4NK   | 10.00 x 10.00 x 4.00 | 254 x 254 x 102 | Painted    | 4                      |
| ASG10X10X4NK   | 10.00 x 10.00 x 4.00 | 254 x 254 x 102 | Galvanized | 4                      |
| ASE12X6X4NK    | 12.00 x 6.00 x 4.00  | 305 x 152 x 102 | Painted    | 4                      |
| ASG12X6X4NK    | 12.00 x 6.00 x 4.00  | 305 x 152 x 102 | Galvanized | 4                      |

| Catalog Number | AxBxC in.            | AxBxC mm        | Style      | Number of Cover Screws |
|----------------|----------------------|-----------------|------------|------------------------|
| ASE12X8X4NK    | 12.00 x 8.00 x 4.00  | 305 x 203 x 102 | Painted    | 4                      |
| ASG12X8X4NK    | 12.00 x 8.00 x 4.00  | 305 x 203 x 102 | Galvanized | 4                      |
| ASE12X10X4NK   | 12.00 x 10.00 x 4.00 | 305 x 254 x 102 | Painted    | 4                      |
| ASG12X10X4NK   | 12.00 x 10.00 x 4.00 | 305 x 254 x 102 | Galvanized | 4                      |
| ASE12X12X4NK   | 12.00 x 12.00 x 4.00 | 305 x 305 x 102 | Painted    | 4                      |
| ASG12X12X4NK   | 12.00 x 12.00 x 4.00 | 305 x 305 x 102 | Galvanized | 4                      |
| ASE15X15X4NK   | 15.00 x 15.00 x 4.00 | 381 x 381 x 102 | Painted    | 4                      |
| ASG15X15X4NK   | 15.00 x 15.00 x 4.00 | 381 x 381 x 102 | Galvanized | 4                      |
| ASE16X12X4NK   | 16.00 x 12.00 x 4.00 | 406 x 305 x 102 | Painted    | 4                      |
| ASG16X12X4NK   | 16.00 x 12.00 x 4.00 | 406 x 305 x 102 | Galvanized | 4                      |
| ASE18X12X4NK   | 18.00 x 12.00 x 4.00 | 457 x 305 x 102 | Painted    | 4                      |
| ASG18X12X4NK   | 18.00 x 12.00 x 4.00 | 457 x 305 x 102 | Galvanized | 4                      |
| ASE18X15X4NK   | 18.00 x 15.00 x 4.00 | 457 x 381 x 102 | Painted    | 4                      |
| ASE18X18X4NK   | 18.00 x 18.00 x 4.00 | 457 x 457 x 102 | Painted    | 4                      |
| ASG18X18X4NK   | 18.00 x 18.00 x 4.00 | 457 x 457 x 102 | Galvanized | 4                      |
| ASE24X12X4NK   | 24.00 x 12.00 x 4.00 | 610 x 305 x 102 | Painted    | 4                      |
| ASE24X18X4NK   | 24.00 x 18.00 x 4.00 | 610 x 457 x 102 | Painted    | 4                      |
| ASG24X18X4NK   | 24.00 x 18.00 x 4.00 | 610 x 457 x 102 | Galvanized | 4                      |
| ASE24X24X4NK   | 24.00 x 24.00 x 4.00 | 610 x 610 x 102 | Painted    | 4                      |
| ASG24X24X4NK   | 24.00 x 24.00 x 4.00 | 610 x 610 x 102 | Galvanized | 4                      |
| ASE30X24X4NK   | 30.00 x 24.00 x 4.00 | 762 x 610 x 102 | Painted    | 6                      |
| ASE30X30X4NK   | 30.00 x 30.00 x 4.00 | 762 x 762 x 102 | Painted    | 8                      |
| ASE6X6X6NK     | 6.00 x 6.00 x 6.00   | 152 x 152 x 152 | Painted    | 2                      |
| ASG6X6X6NK     | 6.00 x 6.00 x 6.00   | 152 x 152 x 152 | Galvanized | 2                      |
| ASE8X6X6NK     | 8.00 x 6.00 x 6.00   | 203 x 152 x 152 | Painted    | 2                      |
| ASG8X6X6NK     | 8.00 x 6.00 x 6.00   | 203 x 152 x 152 | Galvanized | 2                      |
| ASE8X8X6NK     | 8.00 x 8.00 x 6.00   | 203 x 203 x 152 | Painted    | 4                      |
| ASG8X8X6NK     | 8.00 x 8.00 x 6.00   | 203 x 203 x 152 | Galvanized | 4                      |
| ASE10X8X6NK    | 10.00 x 8.00 x 6.00  | 254 x 203 x 152 | Painted    | 4                      |
| ASG10X8X6NK    | 10.00 x 8.00 x 6.00  | 254 x 203 x 152 | Galvanized | 4                      |
| ASE10X10X6NK   | 10.00 x 10.00 x 6.00 | 254 x 254 x 152 | Painted    | 4                      |
| ASG10X10X6NK   | 10.00 x 10.00 x 6.00 | 254 x 254 x 152 | Galvanized | 4                      |
| ASE12X6X6NK    | 12.00 x 6.00 x 6.00  | 305 x 152 x 152 | Painted    | 4                      |
| ASE12X8X6NK    | 12.00 x 8.00 x 6.00  | 305 x 203 x 152 | Painted    | 4                      |
| ASG12X8X6NK    | 12.00 x 8.00 x 6.00  | 305 x 203 x 152 | Galvanized | 4                      |
| ASE12X10X6NK   | 12.00 x 10.00 x 6.00 | 305 x 254 x 152 | Painted    | 4                      |
| ASG12X10X6NK   | 12.00 x 10.00 x 6.00 | 305 x 254 x 152 | Galvanized | 4                      |
| ASE12X12X6NK   | 12.00 x 12.00 x 6.00 | 305 x 305 x 152 | Painted    | 4                      |
| ASG12X12X6NK   | 12.00 x 12.00 x 6.00 | 305 x 305 x 152 | Galvanized | 4                      |
| ASE16X12X6NK   | 16.00 x 12.00 x 6.00 | 406 x 305 x 152 | Painted    | 4                      |
| ASG16X12X6NK   | 16.00 x 12.00 x 6.00 | 406 x 305 x 152 | Galvanized | 4                      |
| ASE16X16X6NK   | 16.00 x 16.00 x 6.00 | 406 x 406 x 152 | Painted    | 4                      |
| ASG16X16X6NK   | 16.00 x 16.00 x 6.00 | 406 x 406 x 152 | Galvanized | 4                      |
| ASE18X12X6NK   | 18.00 x 12.00 x 6.00 | 457 x 305 x 152 | Painted    | 4                      |
| ASG18X12X6NK   | 18.00 x 12.00 x 6.00 | 457 x 305 x 152 | Galvanized | 4                      |
| ASE18X18X6NK   | 18.00 x 18.00 x 6.00 | 457 x 457 x 152 | Painted    | 4                      |
| ASG18X18X6NK   | 18.00 x 18.00 x 6.00 | 457 x 457 x 152 | Galvanized | 4                      |
| ASE24X12X6NK   | 24.00 x 12.00 x 6.00 | 610 x 305 x 152 | Painted    | 4                      |
| ASG24X12X6NK   | 24.00 x 12.00 x 6.00 | 610 x 305 x 152 | Galvanized | 4                      |
| ASE24X18X6NK   | 24.00 x 18.00 x 6.00 | 610 x 457 x 152 | Painted    | 4                      |
| ASG24X18X6NK   | 24.00 x 18.00 x 6.00 | 610 x 457 x 152 | Galvanized | 4                      |
| ASE24X20X6NK   | 24.00 x 20.00 x 6.00 | 610 x 508 x 152 | Painted    | 4                      |
| ASG24X20X6NK   | 24.00 x 20.00 x 6.00 | 610 x 508 x 152 | Galvanized | 4                      |
| ASE24X24X6NK   | 24.00 x 24.00 x 6.00 | 610 x 610 x 152 | Painted    | 4                      |
| ASG24X24X6NK   | 24.00 x 24.00 x 6.00 | 610 x 610 x 152 | Galvanized | 4                      |
| ASE30X24X6NK   | 30.00 x 24.00 x 6.00 | 762 x 610 x 152 | Painted    | 6                      |
| ASG30X24X6NK   | 30.00 x 24.00 x 6.00 | 762 x 610 x 152 | Galvanized | 6                      |
| ASE30X30X6NK   | 30.00 x 30.00 x 6.00 | 762 x 762 x 152 | Painted    | 8                      |
| ASG30X30X6NK   | 30.00 x 30.00 x 6.00 | 762 x 762 x 152 | Galvanized | 8                      |
| ASE36X24X6NK   | 36.00 x 24.00 x 6.00 | 914 x 610 x 152 | Painted    | 6                      |
| ASG36X24X6NK   | 36.00 x 24.00 x 6.00 | 914 x 610 x 152 | Galvanized | 6                      |
| ASE36X30X6NK   | 36.00 x 30.00 x 6.00 | 914 x 762 x 152 | Painted    | 8                      |
| ASG36X30X6NK   | 36.00 x 30.00 x 6.00 | 914 x 762 x 152 | Galvanized | 8                      |
| ASE36X36X6NK   | 36.00 x 36.00 x 6.00 | 914 x 914 x 152 | Painted    | 8                      |
| ASG36X36X6NK   | 36.00 x 36.00 x 6.00 | 914 x 914 x 152 | Galvanized | 8                      |
| ASE8X8X8NK     | 8.00 x 8.00 x 8.00   | 203 x 203 x 203 | Painted    | 4                      |
| ASG8X8X8NK     | 8.00 x 8.00 x 8.00   | 203 x 203 x 203 | Galvanized | 4                      |
| ASE10X10X8NK   | 10.00 x 10.00 x 8.00 | 254 x 254 x 203 | Painted    | 4                      |
| ASG10X10X8NK   | 10.00 x 10.00 x 8.00 | 254 x 254 x 203 | Galvanized | 4                      |
| ASE12X10X8NK   | 12.00 x 10.00 x 8.00 | 305 x 254 x 203 | Painted    | 4                      |
| ASG12X10X8NK   | 12.00 x 10.00 x 8.00 | 305 x 254 x 203 | Galvanized | 4                      |
| ASE12X12X8NK   | 12.00 x 12.00 x 8.00 | 305 x 305 x 203 | Painted    | 4                      |
| ASG12X12X8NK   | 12.00 x 12.00 x 8.00 | 305 x 305 x 203 | Galvanized | 4                      |
| ASE16X12X8NK   | 16.00 x 12.00 x 8.00 | 406 x 305 x 203 | Painted    | 4                      |
| ASG16X12X8NK   | 16.00 x 12.00 x 8.00 | 406 x 305 x 203 | Galvanized | 4                      |
| ASE18X12X8NK   | 18.00 x 12.00 x 8.00 | 457 x 305 x 203 | Painted    | 4                      |
| ASG18X12X8NK   | 18.00 x 12.00 x 8.00 | 457 x 305 x 203 | Galvanized | 4                      |
| ASE18X18X8NK   | 18.00 x 18.00 x 8.00 | 457 x 457 x 203 | Painted    | 4                      |
| ASG18X18X8NK   | 18.00 x 18.00 x 8.00 | 457 x 457 x 203 | Galvanized | 4                      |
| ASE24X12X8NK   | 24.00 x 12.00 x 8.00 | 610 x 305 x 203 | Painted    | 4                      |
| ASG24X12X8NK   | 24.00 x 12.00 x 8.00 | 610 x 305 x 203 | Galvanized | 4                      |

| Catalog Number | AxBxC in.             | AxBxC mm          | Style      | Number of Cover Screws |
|----------------|-----------------------|-------------------|------------|------------------------|
| ASE24X18X8NK   | 24.00 x 18.00 x 8.00  | 610 x 457 x 203   | Painted    | 4                      |
| ASG24X18X8NK   | 24.00 x 18.00 x 8.00  | 610 x 457 x 203   | Galvanized | 4                      |
| ASE24X20X8NK   | 24.00 x 20.00 x 8.00  | 610 x 508 x 203   | Painted    | 4                      |
| ASG24X20X8NK   | 24.00 x 20.00 x 8.00  | 610 x 508 x 203   | Galvanized | 4                      |
| ASE24X24X8NK   | 24.00 x 24.00 x 8.00  | 610 x 610 x 203   | Painted    | 4                      |
| ASG24X24X8NK   | 24.00 x 24.00 x 8.00  | 610 x 610 x 203   | Galvanized | 4                      |
| ASE30X24X8NK   | 30.00 x 24.00 x 8.00  | 762 x 610 x 203   | Painted    | 6                      |
| ASG30X24X8NK   | 30.00 x 24.00 x 8.00  | 762 x 610 x 203   | Galvanized | 6                      |
| ASE30X30X8NK   | 30.00 x 30.00 x 8.00  | 762 x 762 x 203   | Painted    | 8                      |
| ASG30X30X8NK   | 30.00 x 30.00 x 8.00  | 762 x 762 x 203   | Galvanized | 8                      |
| ASE36X24X8NK   | 36.00 x 24.00 x 8.00  | 914 x 610 x 203   | Painted    | 6                      |
| ASG36X24X8NK   | 36.00 x 24.00 x 8.00  | 914 x 610 x 203   | Galvanized | 6                      |
| ASE36X36X8NK   | 36.00 x 36.00 x 8.00  | 914 x 914 x 203   | Painted    | 8                      |
| ASG36X36X8NK   | 36.00 x 36.00 x 8.00  | 914 x 914 x 203   | Galvanized | 8                      |
| ASE12X12X10NK  | 12.00 x 12.00 x 10.00 | 305 x 305 x 254   | Painted    | 4                      |
| ASG12X12X10NK  | 12.00 x 12.00 x 10.00 | 305 x 305 x 254   | Galvanized | 4                      |
| ASE18X12X10NK  | 18.00 x 12.00 x 10.00 | 457 x 305 x 254   | Painted    | 4                      |
| ASG18X12X10NK  | 18.00 x 12.00 x 10.00 | 457 x 305 x 254   | Galvanized | 4                      |
| ASE24X12X10NK  | 24.00 x 12.00 x 10.00 | 610 x 305 x 254   | Painted    | 4                      |
| ASG24X12X10NK  | 24.00 x 12.00 x 10.00 | 610 x 305 x 254   | Galvanized | 4                      |
| ASE24X18X10NK  | 24.00 x 18.00 x 10.00 | 610 x 457 x 254   | Painted    | 4                      |
| ASG24X18X10NK  | 24.00 x 18.00 x 10.00 | 610 x 457 x 254   | Galvanized | 4                      |
| ASE24X24X10NK  | 24.00 x 24.00 x 10.00 | 610 x 610 x 254   | Painted    | 4                      |
| ASG24X24X10NK  | 24.00 x 24.00 x 10.00 | 610 x 610 x 254   | Galvanized | 4                      |
| ASE30X24X10NK  | 30.00 x 24.00 x 10.00 | 762 x 610 x 254   | Painted    | 6                      |
| ASG30X24X10NK  | 30.00 x 24.00 x 10.00 | 762 x 610 x 254   | Galvanized | 6                      |
| ASE30X30X10NK  | 30.00 x 30.00 x 10.00 | 762 x 762 x 254   | Painted    | 8                      |
| ASG30X30X10NK  | 30.00 x 30.00 x 10.00 | 762 x 762 x 254   | Galvanized | 8                      |
| ASE36X24X10NK  | 36.00 x 24.00 x 10.00 | 914 x 610 x 254   | Painted    | 6                      |
| ASG36X24X10NK  | 36.00 x 24.00 x 10.00 | 914 x 610 x 254   | Galvanized | 6                      |
| ASE36X36X10NK  | 36.00 x 36.00 x 10.00 | 914 x 914 x 254   | Painted    | 8                      |
| ASG36X36X10NK  | 36.00 x 36.00 x 10.00 | 914 x 914 x 254   | Galvanized | 8                      |
| ASE12X12X12NK  | 12.00 x 12.00 x 12.00 | 305 x 305 x 305   | Painted    | 4                      |
| ASG12X12X12NK  | 12.00 x 12.00 x 12.00 | 305 x 305 x 305   | Galvanized | 4                      |
| ASE24X12X12NK  | 24.00 x 12.00 x 12.00 | 610 x 305 x 305   | Painted    | 4                      |
| ASG24X12X12NK  | 24.00 x 12.00 x 12.00 | 610 x 305 x 305   | Galvanized | 4                      |
| ASE18X18X12NK  | 18.00 x 18.00 x 12.00 | 457 x 457 x 305   | Painted    | 4                      |
| ASG18X18X12NK  | 18.00 x 18.00 x 12.00 | 457 x 457 x 305   | Galvanized | 4                      |
| ASE24X18X12NK  | 24.00 x 18.00 x 12.00 | 610 x 457 x 305   | Painted    | 4                      |
| ASG24X18X12NK  | 24.00 x 18.00 x 12.00 | 610 x 457 x 305   | Galvanized | 4                      |
| ASE24X24X12NK  | 24.00 x 24.00 x 12.00 | 610 x 610 x 305   | Painted    | 4                      |
| ASG24X24X12NK  | 24.00 x 24.00 x 12.00 | 610 x 610 x 305   | Galvanized | 4                      |
| ASE30X24X12NK  | 30.00 x 24.00 x 12.00 | 762 x 610 x 305   | Painted    | 6                      |
| ASG30X24X12NK  | 30.00 x 24.00 x 12.00 | 762 x 610 x 305   | Galvanized | 6                      |
| ASE30X30X12NK  | 30.00 x 30.00 x 12.00 | 762 x 762 x 305   | Painted    | 8                      |
| ASG30X30X12NK  | 30.00 x 30.00 x 12.00 | 762 x 762 x 305   | Galvanized | 8                      |
| ASE36X24X12NK  | 36.00 x 24.00 x 12.00 | 914 x 610 x 305   | Painted    | 6                      |
| ASG36X24X12NK  | 36.00 x 24.00 x 12.00 | 914 x 610 x 305   | Galvanized | 6                      |
| ASE36X36X12NK  | 36.00 x 36.00 x 12.00 | 914 x 914 x 305   | Painted    | 8                      |
| ASG36X36X12NK  | 36.00 x 36.00 x 12.00 | 914 x 914 x 305   | Galvanized | 8                      |
| ASE48X48X12NK  | 48.00 x 48.00 x 12.00 | 1219 x 1219 x 305 | Painted    | 12                     |
| ASG48X48X12NK  | 48.00 x 48.00 x 12.00 | 1219 x 1219 x 305 | Galvanized | 12                     |
| ASE30X30X16NK  | 30.00 x 30.00 x 16.00 | 762 x 762 x 406   | Painted    | 8                      |
| ASG30X30X16NK  | 30.00 x 30.00 x 16.00 | 762 x 762 x 406   | Galvanized | 8                      |
| ASE36X36X16NK  | 36.00 x 36.00 x 16.00 | 914 x 914 x 406   | Painted    | 8                      |
| ASG36X36X16NK  | 36.00 x 36.00 x 16.00 | 914 x 914 x 406   | Galvanized | 8                      |
| ASE48X48X16NK  | 48.00 x 48.00 x 16.00 | 1219 x 1219 x 406 | Painted    | 12                     |
| ASG48X48X16NK  | 48.00 x 48.00 x 16.00 | 1219 x 1219 x 406 | Galvanized | 12                     |



CONDUIT SIZES

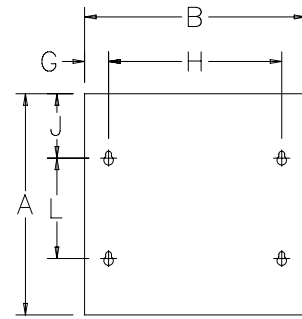
Knockout Pattern (from outside of box)

**FLUSH COVERS**



Designed to mount on enclosure for flush installations. Cover is 16 or 14 gauge steel finished with ANSI 61 gray polyester powder paint.

**BULLETIN: A90P1**



87948556

Standard Product

| Catalog Number | AxB in./mm    | Fits Box Size A x B in./mm | G in./mm | H in./mm | J in./mm | L in./mm | Cover Gauge |
|----------------|---------------|----------------------------|----------|----------|----------|----------|-------------|
| AFE6X6         | 7.50 x 7.50   | 6.00 x 6.00                | 1.03     | 5.44     | 3.75     | —        | 16          |
|                | 191 x 191     | 152 x 152                  | 26       | 138      | 95       | —        |             |
| AFE8X6         | 9.50 x 7.50   | 8.00 x 6.00                | 1.03     | 5.44     | 4.75     | —        | 16          |
|                | 241 x 191     | 203 x 152                  | 26       | 138      | 121      | —        |             |
| AFE8X8         | 9.50 x 9.50   | 8.00 x 8.00                | 1.03     | 7.44     | 2.77     | 4.31     | 16          |
|                | 241 x 241     | 203 x 203                  | 26       | 189      | 70       | 109      |             |
| AFE10X8        | 11.50 x 9.50  | 10.00 x 8.00               | 1.03     | 7.44     | 2.77     | 6.31     | 16          |
|                | 292 x 241     | 254 x 203                  | 26       | 189      | 70       | 160      |             |
| AFE10X10       | 11.50 x 11.50 | 10.00 x 10.00              | 1.03     | 9.44     | 2.77     | 6.31     | 16          |
|                | 292 x 292     | 254 x 254                  | 26       | 240      | 70       | 160      |             |
| AFE12X8        | 13.50 x 9.50  | 12.00 x 8.00               | 1.03     | 7.44     | 2.77     | 8.31     | 16          |
|                | 343 x 241     | 305 x 203                  | 26       | 189      | 70       | 211      |             |
| AFE12X12       | 13.50 x 13.50 | 12.00 x 12.00              | 1.03     | 11.44    | 2.77     | 8.31     | 16          |
|                | 343 x 343     | 305 x 305                  | 26       | 291      | 70       | 211      |             |
| AFE18X12       | 19.50 x 13.50 | 18.00 x 12.00              | 1.03     | 11.44    | 2.77     | 14.31    | 16          |
|                | 495 x 343     | 457 x 305                  | 26       | 291      | 70       | 363      |             |
| AFE18X18       | 19.50 x 19.50 | 18.00 x 18.00              | 1.03     | 17.44    | 2.77     | 14.31    | 16          |
|                | 495 x 495     | 457 x 457                  | 26       | 443      | 70       | 363      |             |
| AFE24X18       | 25.50 x 19.50 | 24.00 x 18.00              | 1.05     | 17.41    | 2.77     | 20.31    | 14          |
|                | 648 x 495     | 610 x 457                  | 27       | 442      | 70       | 516      |             |
| AFE24X24       | 25.50 x 25.50 | 24.00 x 24.00              | 1.05     | 23.41    | 2.77     | 20.31    | 14          |
|                | 648 x 648     | 610 x 610                  | 27       | 595      | 70       | 516      |             |

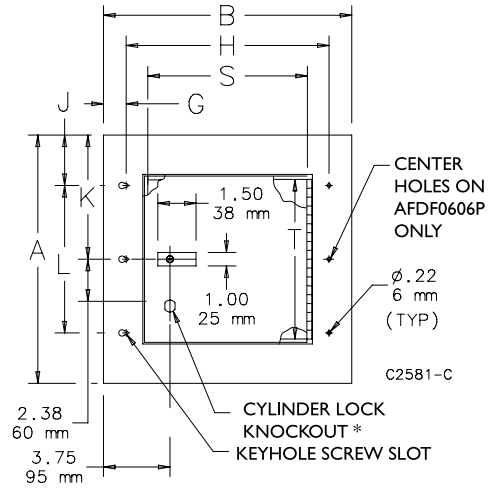
**FLUSH-MOUNT DOOR FRAMES**



Use in Screw-Cover Pull Box telephone cabinet installations or in communication wiring and signal systems. Also as a junction or pull box and switch enclosure.

- Continuous hinge
- Rugged black composite slide latch
- Optional tamper-resistant lock kit includes cylinder lock, tamper-resistant screws and special driver bit.
- Lock Kit: ACLDFD
- 14 gauge steel door frame has ANSI 61 gray polyester powder paint finish

**BULLETIN: A90P1**



\* Not available on AFDF0606P

**Standard Product**

| Catalog Number | Frame Size    | Door   | Door   | Fits Box Size |        | H      | J      | K      | L      |
|----------------|---------------|--------|--------|---------------|--------|--------|--------|--------|--------|
|                | A x B         | Size T | Size S | A x B         | G      |        |        |        |        |
|                | in./mm        | in./mm | in./mm | in./mm        | in./mm | in./mm | in./mm | in./mm | in./mm |
| AFDF0606P      | 8.00 x 8.00   | 3.00   | 3.00   | 6.00 x 6.00   | 1.28   | 5.44   | N/A    | 4.00   | N/A    |
|                | 203 x 203     | 76     | 76     | 152 x 152     | 32     | 138    | N/A    | 102    | N/A    |
| AFDF1212P      | 14.00 x 14.00 | 9.00   | 9.00   | 12.00 x 12.00 | 1.28   | 11.44  | 2.84   | 7.00   | 8.31   |
|                | 356 x 356     | 229    | 229    | 305 x 305     | 32     | 291    | 72     | 178    | 211    |
| AFDF1812P      | 20.00 x 14.00 | 15.00  | 9.00   | 18.00 x 12.00 | 1.28   | 11.44  | 2.84   | 10.00  | 14.31  |
|                | 508 x 356     | 381    | 229    | 457 x 305     | 32     | 291    | 72     | 254    | 364    |
| AFDF1818P      | 20.00 x 20.00 | 15.00  | 15.00  | 18.00 x 18.00 | 1.28   | 17.44  | 2.84   | 10.00  | 14.31  |
|                | 508 x 508     | 381    | 381    | 457 x 457     | 32     | 443    | 72     | 254    | 364    |
| AFDF2418P      | 26.00 x 20.00 | 21.00  | 15.00  | 24.00 x 18.00 | 1.28   | 17.44  | 2.84   | 13.00  | 20.31  |
|                | 660 x 508     | 533    | 381    | 610 x 457     | 32     | 443    | 72     | 330    | 516    |
| AFDF2424P      | 26.00 x 26.00 | 21.00  | 21.00  | 24.00 x 24.00 | 1.30   | 23.41  | 2.84   | 13.00  | 20.31  |
|                | 660 x 660     | 533    | 533    | 610 x 610     | 33     | 595    | 72     | 330    | 516    |
| AFDF3024P      | 32.00 x 26.00 | 27.00  | 21.00  | 30.00 x 24.00 | 1.30   | 23.41  | 2.84   | 16.00  | 26.31  |
|                | 813 x 660     | 686    | 533    | 762 x 610     | 33     | 595    | 72     | 406    | 668    |

### TYPE 1 LOCKING WINDOW PULL BOX ACCESSORY

Flush- or surface-mount accessory fits Screw Cover, Type 1, boxes to prevent public access to lighting switches and controls. Includes a removable aluminum dead-front mounting surface for component cutouts and four torx-head screws for securing to enclosure.

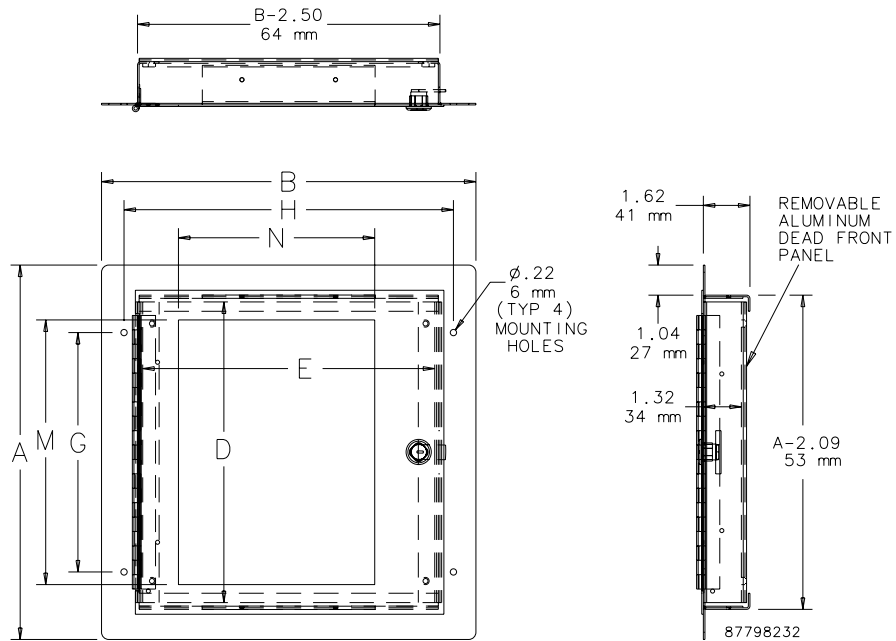
BULLETIN: A90P1



#### Standard Product

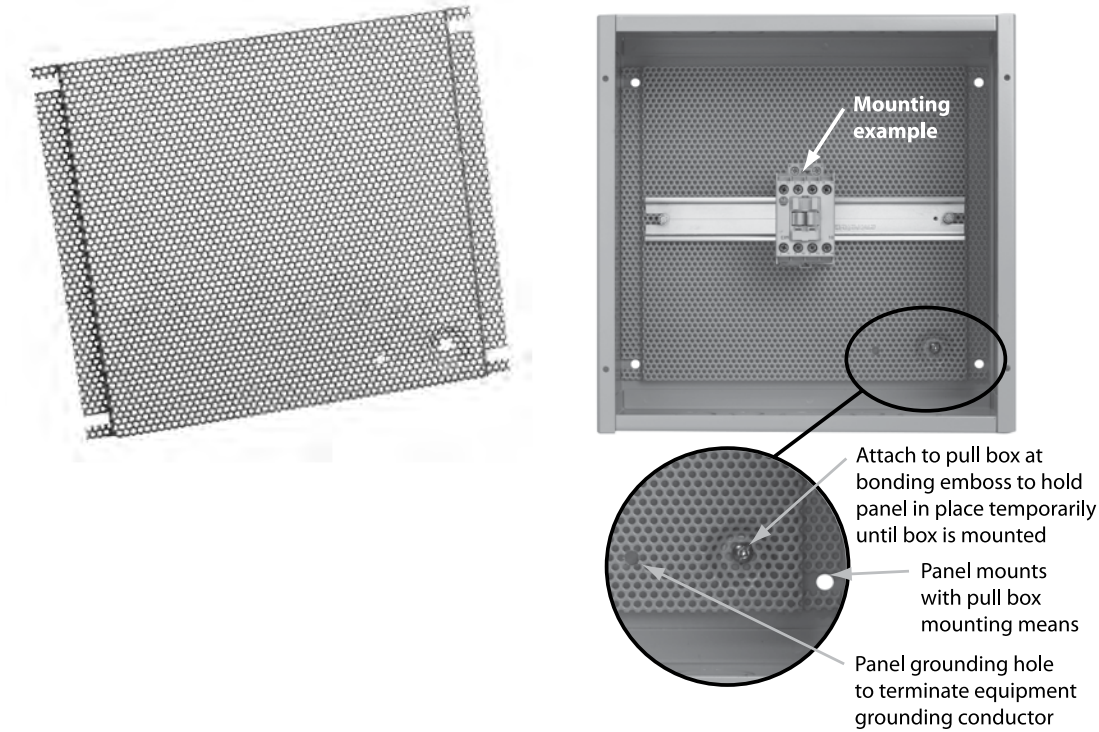
| Catalog Number | AxB in./mm                 | Dead Front Panel Size D x E in./mm | Mounting Holes G x H in./mm | Window Size M x N in./mm  | Fits Pull Box |
|----------------|----------------------------|------------------------------------|-----------------------------|---------------------------|---------------|
| ALDF88W        | 9.00 x 9.00<br>229 x 293   | 6.00 x 6.14<br>152 x 99            | 4.31 x 7.44<br>109 x 189    | 6.25 x 3.88<br>164 x 156  | ASE8X8X4      |
| ALDF1212W      | 13.00 x 13.00<br>330 x 330 | 10.00 x 10.14<br>254 x 200         | 8.31 x 11.44<br>211 x 291   | 10.25 x 7.88<br>265 x 258 | ASE12X12X4    |

A x B = Frame Size





**TYPE 1 PULL BOX PERFORATED PANEL**



Panel is formed to provide 7/16-in. space off back of pull box for component mounting screw clearance and includes a grounding hole to terminate equipment grounding conductors. Ideal for mounting components that require infrequent access such as control transformers, terminals and contactors.

**BULLETIN: PNLP**

Standard Product

| Catalog Number | Panel Gauge | Panel Size D x E (in.) | Panel Size D x E (mm) | Fits Pull Box |
|----------------|-------------|------------------------|-----------------------|---------------|
| PB66PP         | 16          | 4.40 x 5.50            | 112 x 140             | ASE6X6X       |
| PB88PP         | 16          | 6.40 x 7.50            | 163 x 191             | ASE8X8X       |
| PB1212PP       | 16          | 10.40 x 11.50          | 264 x 292             | ASE12X12X     |
| PB1818PP       | 16          | 16.40 x 17.50          | 417 x 445             | ASE18X18X     |
| PB2424PP       | 16          | 22.40 x 23.50          | 569 x 597             | ASE24X24X     |

PB1818PP and PB2424PP are flanged on all four sides.

