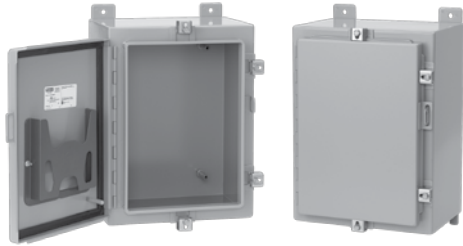


CONTINUOUS HINGE WITH CLAMPS, TYPE 4


- External wall-mounting brackets
- Formed external flanges around all sides of enclosure opening
- Stainless steel door clamps on three sides of door
- Removable heavy gauge stainless steel continuous hinge pin
- Hasp and staple provided for padlocking
- Data pocket is high-impact thermoplastic
- Collar studs provided for mounting optional panels
- Bonding provision on door

FINISH

ANSI 61 gray polyester powder paint inside and out

ACCESSORIES
See also Accessories.

- Industrial Corrosion Inhibitors
- Fast-Operating Clamp Assembly
- Incandescent Light Package
- Compact Cooling Fans
- Steel and Stainless Steel Window Kits

See also the Popular Accessories table for listing the Standard Products table.
INDUSTRY STANDARDS

 UL 508A Listed; Type 4, 12, 13; File No. E61997
 cUL Listed per CSA C22.2 No. 94; Type 4, 12, 13; File No. E61997

 NEMA/EEMAC Type 3, 4, 12, and 13
 CSA, File No. 42186: Type 4 and 12
 IEC 60529, IP66

APPLICATION

These single-door enclosures feature a hinged door with clamps on three sides to create a secure seal in indoor or outdoor environments. The gray polyester powder finish inside and out provides enhanced corrosion protection in outdoor applications.

MODIFICATION AND CUSTOMIZATION

Hoffman excels at modifying and customizing products to your specifications. Contact your local Hoffman sales office or distributor for complete information.

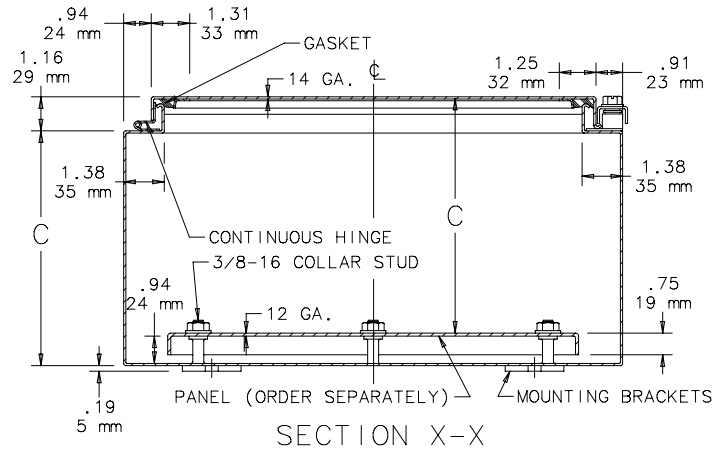
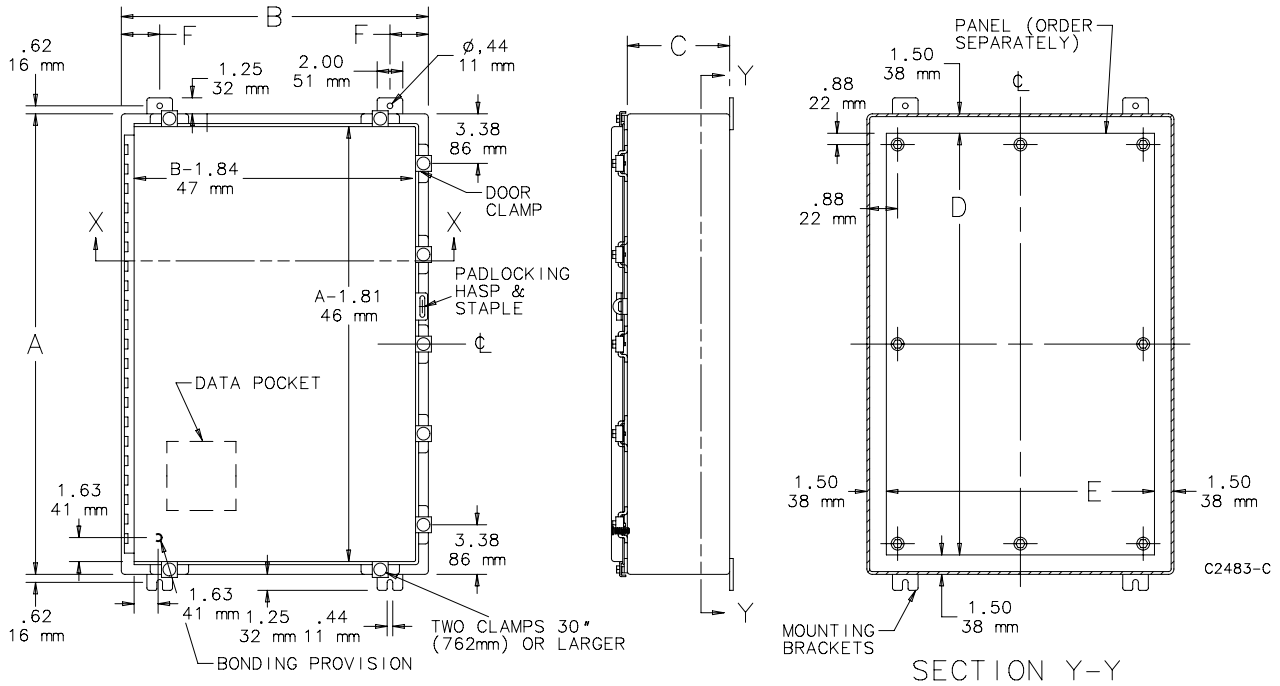
BULLETIN: A4
SPECIFICATIONS

- 16 or 14 gauge steel (see table)
- Seams continuously welded and ground smooth

Standard Product

Catalog Number	AxBxC in.	AxBxC mm	Body Gauge	Panel	Conductive Panel	Panel Size D x E (in.)	Panel Size D x E (mm)	F (in.)	F (mm)	Number of Clamps	Data Pocket
A16H12ALP	16.00 x 12.00 x 6.00	406 x 305 x 152	16	A16P12	A16P12G	13.00 x 9.00	330 x 229	1.25	32	4	Small
A16H16ALP	16.00 x 16.00 x 6.00	406 x 406 x 152	16	A16P16	A16P16G	13.00 x 13.00	330 x 330	3.00	76	4	Small
A16H20ALP	16.00 x 20.00 x 6.00	406 x 508 x 152	16	A20P16	A20P16G	17.00 x 13.00	432 x 330	3.00	76	4	Small
A20H16ALP	20.00 x 16.00 x 6.00	508 x 406 x 152	16	A20P16	A20P16G	17.00 x 13.00	432 x 330	3.00	76	4	Small
A20H20ALP	20.00 x 20.00 x 6.00	508 x 508 x 152	16	A20P20	A20P20G	17.00 x 17.00	432 x 432	3.00	76	4	Small
A24H12ALP	24.00 x 12.00 x 6.00	610 x 305 x 152	16	A12P24	A12P24G	9.00 x 21.00	229 x 533	1.25	32	5	Small
A24H16ALP	24.00 x 16.00 x 6.00	610 x 406 x 152	16	A24P16	A24P16G	21.00 x 13.00	533 x 330	3.00	76	5	Small
A24H20ALP	24.00 x 20.00 x 6.00	610 x 508 x 152	16	A24P20	A24P20G	21.00 x 17.00	533 x 432	3.00	76	5	Small
A24H24ALP	24.00 x 24.00 x 6.00	610 x 610 x 152	16	A24P24	A24P24G	21.00 x 21.00	533 x 533	3.00	76	5	Small
A30H20ALP	30.00 x 20.00 x 6.00	762 x 508 x 152	14	A30P20	A30P20G	27.00 x 17.00	686 x 432	3.00	76	5	Small
A30H24ALP	30.00 x 24.00 x 6.00	762 x 610 x 152	14	A30P24	A30P24G	27.00 x 21.00	686 x 533	3.00	76	5	Large
A36H24ALP	36.00 x 24.00 x 6.00	914 x 610 x 152	14	A36P24	A36P24G	33.00 x 21.00	838 x 533	3.00	76	5	Large
A16H12BLP	16.00 x 12.00 x 8.00	406 x 305 x 203	16	A16P12	A16P12G	13.00 x 9.00	330 x 229	1.25	32	4	Small
A20H16BLP	20.00 x 16.00 x 8.00	508 x 406 x 203	16	A20P16	A20P16G	17.00 x 13.00	432 x 330	3.00	76	4	Small
A20H20BLP	20.00 x 20.00 x 8.00	508 x 508 x 203	16	A20P20	A20P20G	17.00 x 17.00	432 x 432	3.00	76	4	Small
A20H24BLP	20.00 x 24.00 x 8.00	508 x 610 x 203	16	A24P20	A24P20G	21.00 x 17.00	533 x 432	3.00	76	4	Small
A24H20BLP	24.00 x 20.00 x 8.00	610 x 508 x 203	16	A24P20	A24P20G	21.00 x 17.00	533 x 432	3.00	76	5	Small
A24H24BLP	24.00 x 24.00 x 8.00	610 x 610 x 203	16	A24P24	A24P24G	21.00 x 21.00	533 x 533	3.00	76	5	Small
A24H30BLP	24.00 x 30.00 x 8.00	610 x 762 x 203	14	A30P24	A30P24G	27.00 x 21.00	686 x 533	3.00	76	7	Small
A30H20BLP	30.00 x 20.00 x 8.00	762 x 508 x 203	14	A30P20	A30P20G	27.00 x 17.00	686 x 432	3.00	76	5	Small
A30H24BLP	30.00 x 24.00 x 8.00	762 x 610 x 203	14	A30P24	A30P24G	27.00 x 21.00	686 x 533	3.00	76	5	Large
A30H30BLP	30.00 x 30.00 x 8.00	762 x 762 x 203	14	A30P30	A30P30G	27.00 x 27.00	686 x 686	3.00	76	7	Large
A36H24BLP	36.00 x 24.00 x 8.00	914 x 610 x 203	14	A36P24	A36P24G	33.00 x 21.00	838 x 533	3.00	76	5	Large
A36H30BLP	36.00 x 30.00 x 8.00	914 x 762 x 203	14	A36P30	A36P30G	33.00 x 27.00	838 x 686	3.00	76	7	Large
A42H30BLP	42.00 x 30.00 x 8.00	1067 x 762 x 203	14	A42P30	A42P30G	39.00 x 27.00	991 x 686	3.00	76	8	Small
A42H36BLP	42.00 x 36.00 x 8.00	1067 x 914 x 203	14	A42P36	A42P36G	39.00 x 33.00	991 x 838	3.00	76	8	Large
A48H36BLP	48.00 x 36.00 x 8.00	1219 x 914 x 203	14	A48P36	A48P36G	45.00 x 33.00	1143 x 838	3.00	76	8	Large
A60H36BLP	60.00 x 36.00 x 8.00	1524 x 914 x 203	14	A60P36	A60P36G	57.00 x 33.00	1448 x 838	3.00	76	9	Large
A20H16CLP	20.00 x 16.00 x 10.00	508 x 406 x 254	14	A20P16	A20P16G	17.00 x 13.00	432 x 330	3.00	76	4	Small
A24H20CLP	24.00 x 20.00 x 10.00	610 x 508 x 254	14	A24P20	A24P20G	21.00 x 17.00	533 x 432	3.00	76	5	Small
A30H24CLP	30.00 x 24.00 x 10.00	762 x 610 x 254	14	A30P24	A30P24G	27.00 x 21.00	686 x 533	3.00	76	5	Large
A36H30CLP	36.00 x 30.00 x 10.00	914 x 762 x 254	14	A36P30	A36P30G	33.00 x 27.00	838 x 686	3.00	76	7	Large
A48H30CLP	48.00 x 30.00 x 10.00	1219 x 762 x 254	14	A48P30	A48P30G	45.00 x 27.00	1143 x 686	3.00	76	8	Small
A48H36CLP	48.00 x 36.00 x 10.00	1219 x 914 x 254	14	A48P36	A48P36G	45.00 x 33.00	1143 x 838	3.00	76	8	Large
A60H36CLP	60.00 x 36.00 x 10.00	1524 x 914 x 254	14	A60P36	A60P36G	57.00 x 33.00	1448 x 838	3.00	76	9	Large
A30H24DLP	30.00 x 24.00 x 12.00	762 x 610 x 305	14	A30P24	A30P24G	27.00 x 21.00	686 x 533	3.00	76	5	Large
A36H30DLP	36.00 x 30.00 x 12.00	914 x 762 x 305	14	A36P30	A36P30G	33.00 x 27.00	838 x 686	3.00	76	7	Large
A48H36DLP	48.00 x 36.00 x 12.00	1219 x 914 x 305	14	A48P36	A48P36G	45.00 x 33.00	1143 x 838	3.00	76	8	Large
A36H30FLP	36.00 x 30.00 x 16.00	914 x 762 x 406	14	A36P30	A36P30G	33.00 x 27.00	838 x 686	3.00	76	7	Large
A48H36FLP	48.00 x 36.00 x 16.00	1219 x 914 x 406	14	A48P36	A48P36G	45.00 x 33.00	1143 x 838	3.00	76	8	Large
A60H36FLP	60.00 x 36.00 x 16.00	1524 x 914 x 406	14	A60P36	A60P36G	57.00 x 33.00	1448 x 838	3.00	76	9	Large

Purchase panels separately. Optional stainless steel, conductive, composite and aluminum panels are available for most sizes.



Popular Accessories

Enclosure Width (B Dimension)	Hole Seals	Window Kits
12 in. (305 mm)	AS050	APWK53NF
16 in. (406 mm)	AS050	APWK53NF
20 in. (508 mm)	AS050	APWK53NF
24 in. (610 mm)	AS050	APWK53NF
30 in. (762 mm)	AS050	APWK53NF
36 in. (914 mm)	AS050	APWK53NF