

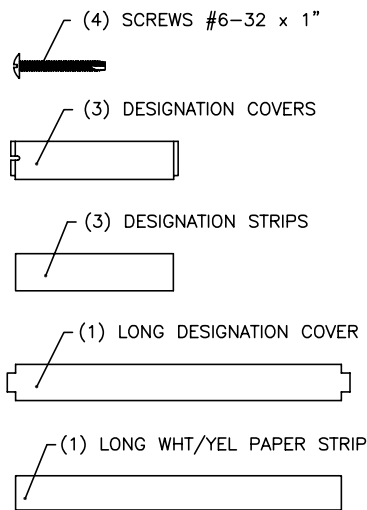
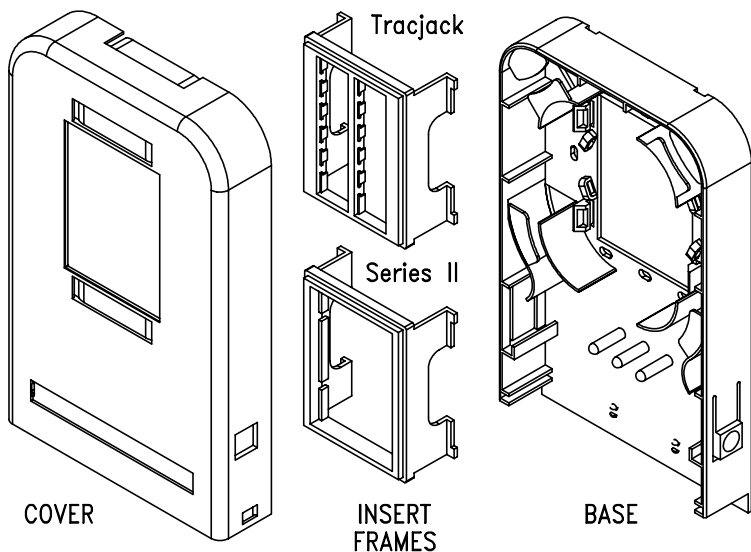


ORTRONICS®

125 EUGENE O'NEILL DRIVE
NEW LONDON, CT 06320
TEL: 860-445-3800
FAX: 860-405-2990

TITLE

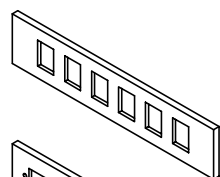
FIB-OR-COP II
Series II OR-62100040
Tracjack OR-62100041



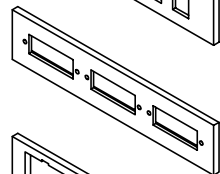
KIT INCLUDES:
1 COVER
1 BASE
1 INSERT FRAME
4 SCREWS (mounting)
3 DESIGNATION COVERS
3 DESIGNATION STRIPS
1 LONG DESIGNATION COVERS
1 LONG PAPER STRIPS

DIMENSIONS:
8"H x 5"W x 1.19"D
203.2mm x 127mm x 30.2mm

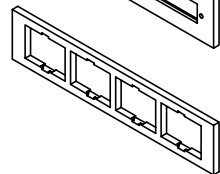
OPTIONAL ACCESSORIES



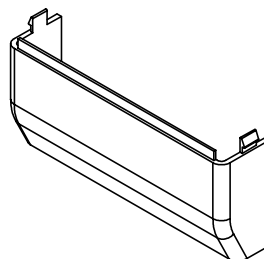
OR-62100035
Bottom adapter plate (pack of 5)
Accepts 6/MT-RJ, LC, or SC Simplex



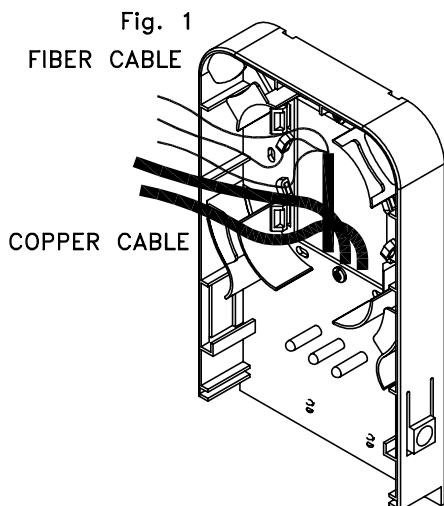
OR-62100036
Bottom adapter plate (pack of 5)
Accepts 3/Duplex SC



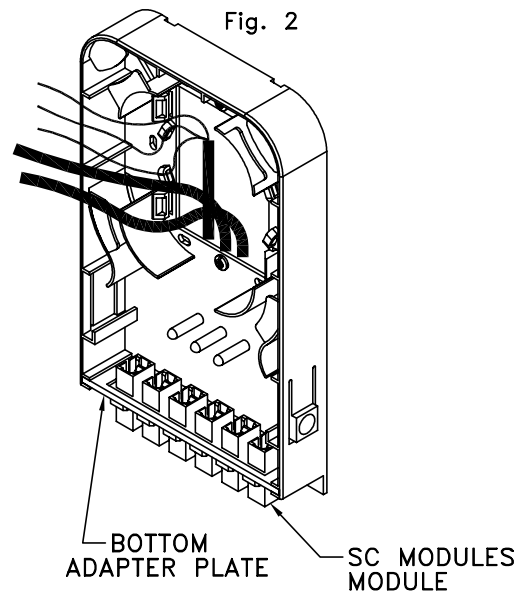
OR-62100037
Bottom adapter plate (pack of 5)
Accepts 4/Tracjacks



OR-62100038
Protective Bottom Shroud
(pack of 5)



STEP 1 (FIG. 1)
Route incoming Copper and or Fiber Cables through the opening in the Base. Secure base to a flush single or double gang wall box using 6-32 x 25 mm screws provided.



STEP 2 (FIG. 2)
Load appropriate bottom adapter plate as application requires, and mount to base of FIB-OR-COPII.

CAD: I:\716\012371

INSTRUCTION SHEET # 71601237	REV.	ECN #	SHEET 1 of 2	DWN.BY: D. BOGUE	DATE 01/22/02	CHK.BY: G.L.	DATE 02/05/02	APP.BY: A.M.S.	DATE 02/05/02
---------------------------------	------	-------	-----------------	---------------------	------------------	-----------------	------------------	-------------------	------------------



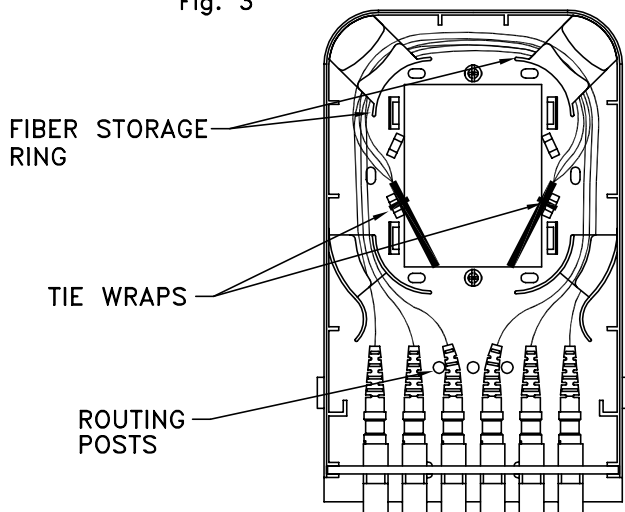
ORTRONICS®

125 EUGENE O'NEILL DRIVE
NEW LONDON, CT 06320
TEL: 860-445-3800
FAX: 860-405-2990

TITLE

FIB-OR-COP II
Series II OR-62100040
Tracjack OR-62100041

Fig. 3



STEP 3

Secure the Fiber Cable using a Tie Wrap leaving 1 meter of buffered fiber for termination and storage. Terminate the Optical Fiber according to the connector manufacturers specifications.

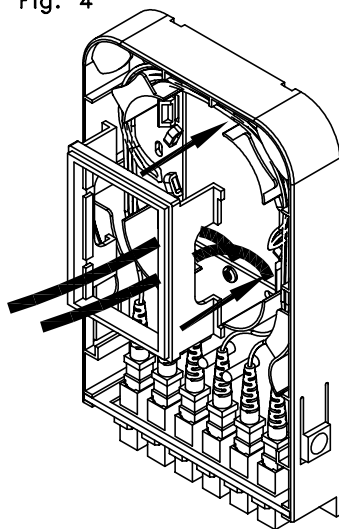
STEP 4 (FIG. 3)

Secure the Fiber Cable using a Tie Wrap. Route your Route the 1 meter of Fiber around storage ring provided.

STEP 5 (FIG. 4)

Snap the appropriate insert frame onto the Base Plate. If you have a copper application you should route these cables through the opening of the Insert Frame.

Fig. 4



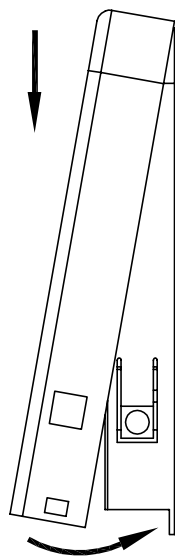
STEP 6

Follow copper connector instructions for proper terminaton.

STEP 7 (FIG. 5)

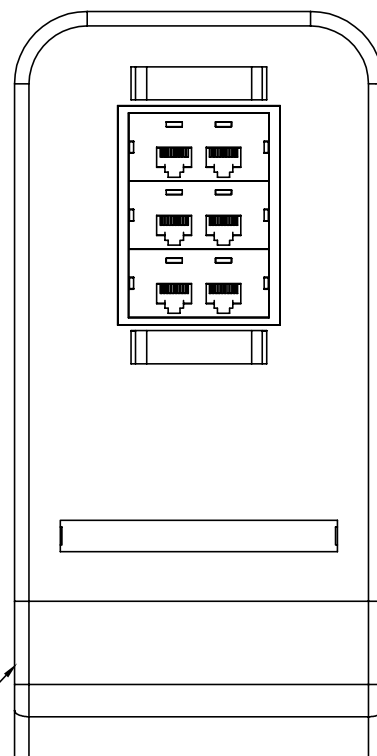
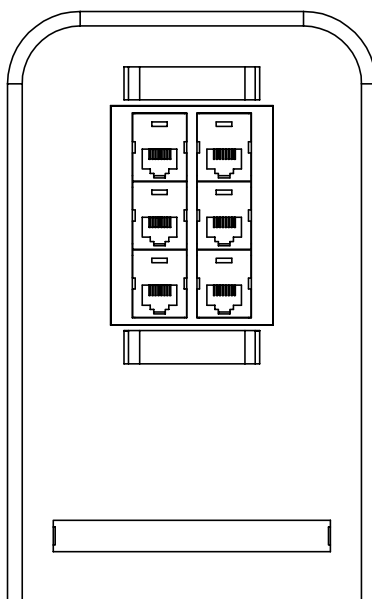
Snap the cover over the Base assembly.

Fig. 5



Tracjack Version
OR-62100041

Series II Version
OR-62100040



Protective Bottom Shroud
(optional)