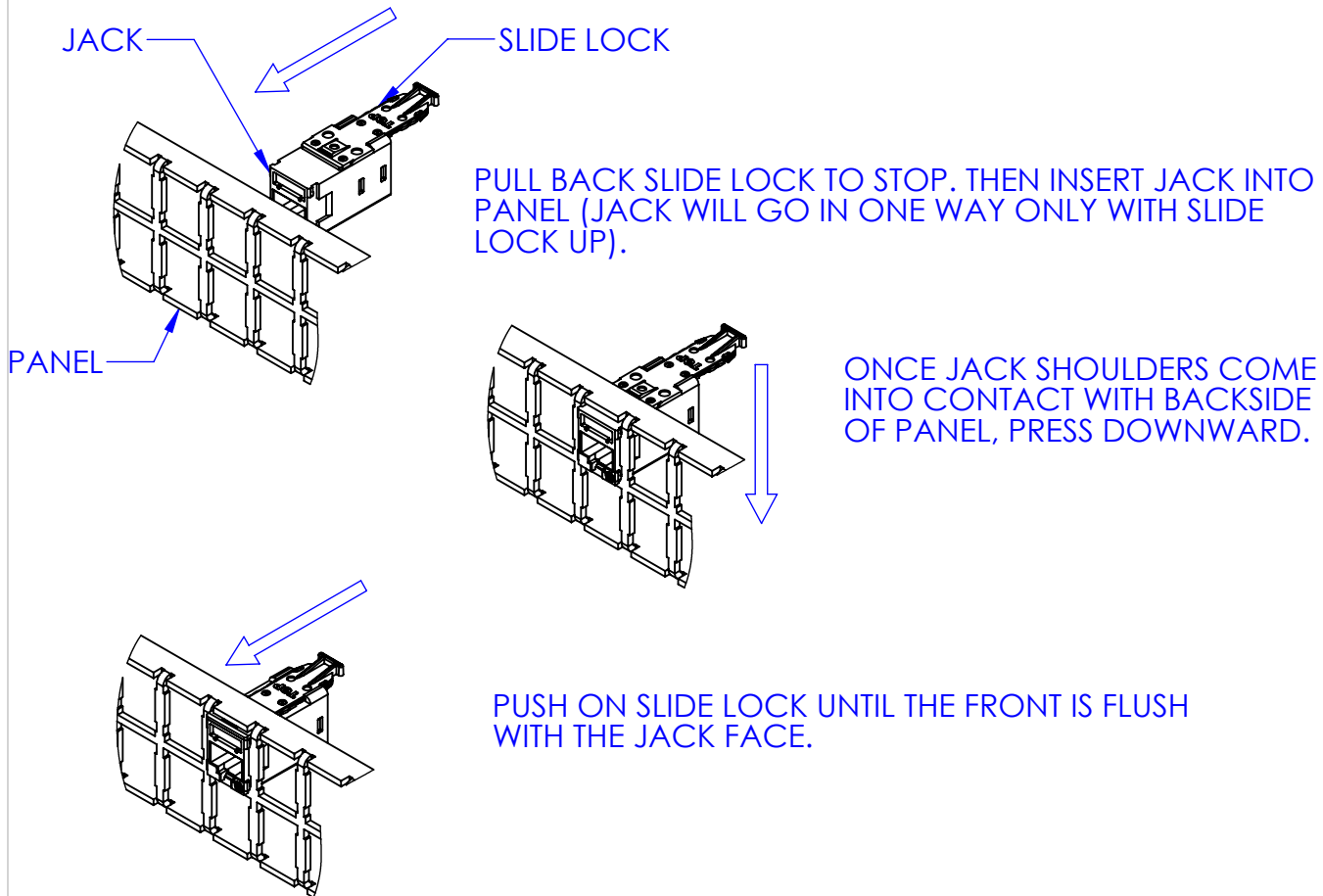
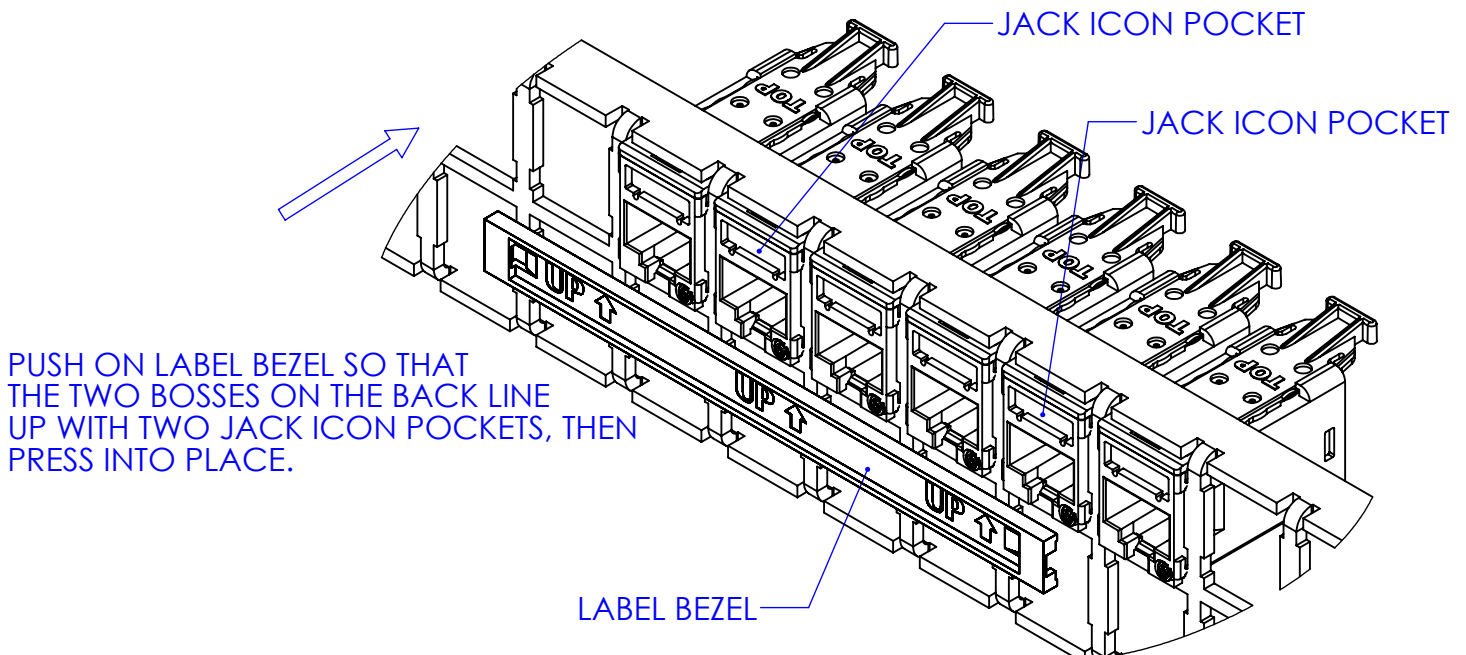


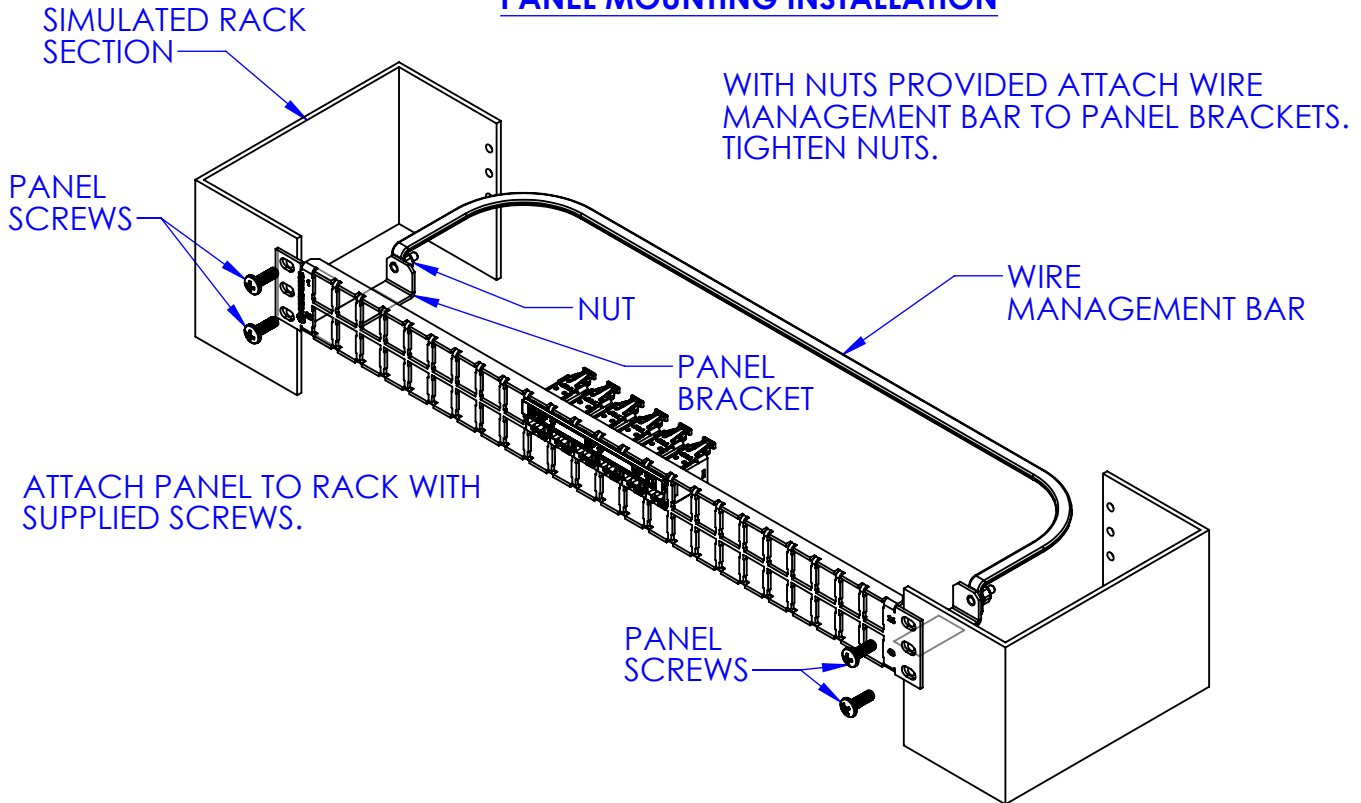
HIGH DENSITY JACK INSTALLATION



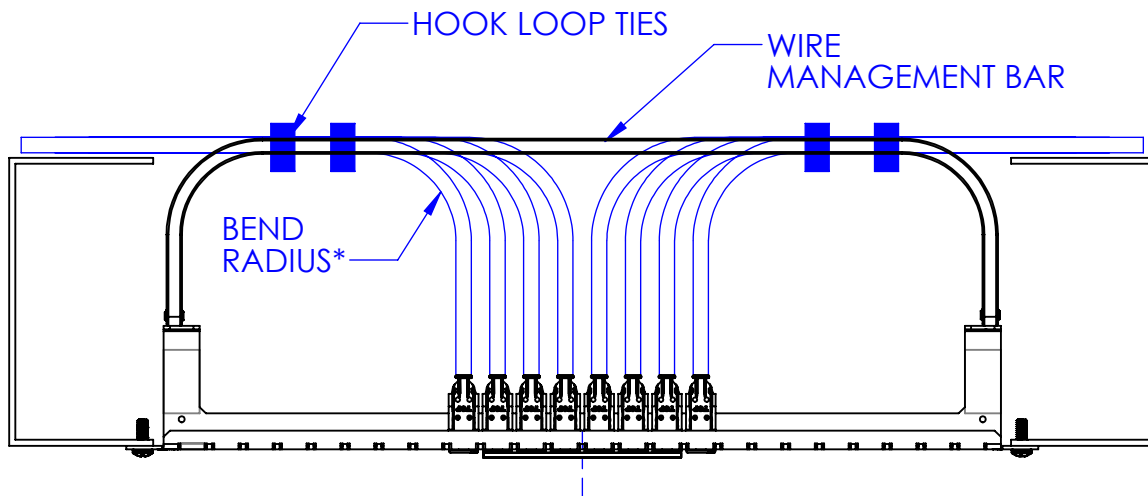
LABEL BEZEL INSTALLATION



PANEL MOUNTING INSTALLATION



CABLE MANAGEMENT INSTRUCTIONS (TOP VIEW)



* THE MINIMUM CABLE BEND RADIUS IS 4 TIMES THE OUTSIDE CABLE DIAMETER. HOOK LOOP TIE WRAPS SHOULD BE USED TO ATTACH THE CABLES TO THE WIRE MANAGEMENT BAR. THE CABLE AT THE EDGE OF THE PATCH PANEL SHOULD BE ATTACHED TO THE CABLE WHICH HAS ALREADY BEEN TIE WRAPPED TO THE WIRE MANAGEMENT BAR.