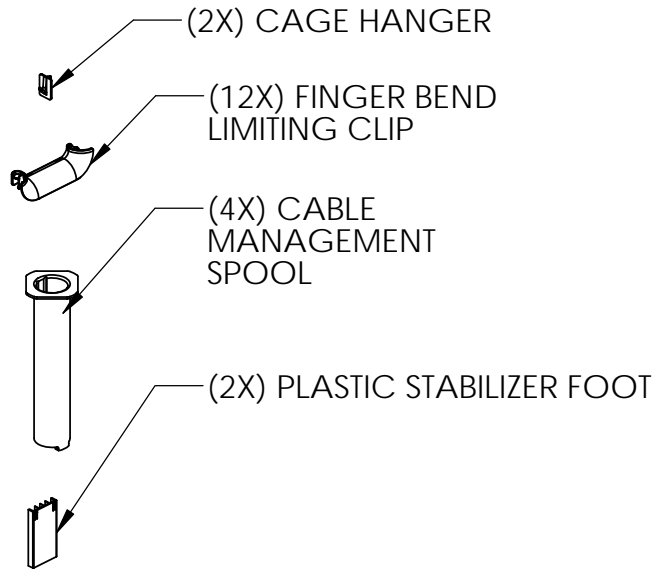
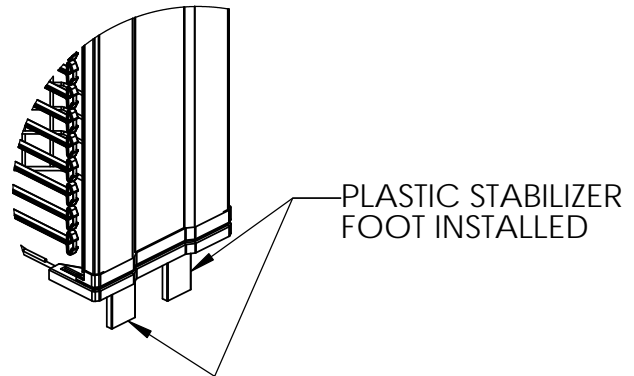


KIT ALSO INCLUDES:



LP12-004-MM20VMD712-W	WHITE
LP12-004-MM20VMD712-B	BLACK
PART NO	COLOR
PART NUMBER DESIGNATIONS	



NOTE: MOUNTING HARDWARE INCLUDED

<p>*** NOTICE ***</p> <p>THIS DOCUMENT CONTAINS CONFIDENTIAL AND/OR PROPRIETARY INFORMATION INTENDED FOR USE ONLY BY THE INDIVIDUAL(S) PROVIDED. NEITHER THIS DOCUMENT, NOR ANY INFORMATION CONTAINED HEREIN, MAY BE COPIED, DISTRIBUTED, DISCLOSED TO ANY THIRD PARTY OR USED IN ANY MANNER OTHER THAN FOR WHICH IT HAS BEEN PROVIDED, WITHOUT THE PRIOR WRITTEN CONSENT OF ORTRONICS, INC. MANUFACTURING RELEASE, PRODUCT SPECIFICATIONS AND STANDARDS ARE SUBJECT TO CHANGE WITHOUT NOTICE.</p>					<p>125 EUGENE O'NEILL DRIVE NEW LONDON, CT 06320 TEL: 860-445-3800 FAX: 860-405-2990 WWW.ORTRONICS.COM</p>	
TITLE			MM20 VERTICAL CABLE MGMT CAGE W/DOOR 12.20" X 15.07" X 76.94"			
	NAME	DATE	SIZE	CAD FILE	DWG NO	REV
DWN	JH	5/13/2014	A	MM20VMD712XC	OR-MM20VMD712-X	00
CHK	JQ	5/13/2014	SCALE	WEIGHT	SHEET	1 OF 1
APPR	CV	5/15/2014				