


Middle Atlantic Products

EXCEPTIONAL SUPPORT & PROTECTION™

RSH Series Custom Rackmount



EIA/TIA Compliant

cUL US LISTED

The RSH Series Custom Rackmount can install virtually any component in a standard 19" enclosure. Custom cut to provide a perfect opening for the face of the component you are mounting

Features

- Custom cut to provide perfect opening
- Enhanced for superior ventilation
- Assembles easily in minutes
- Rear brackets included to prevent mounted component from sliding back
- Accepts any component up to 17-3/8" wide, iPad and iPod docks
- Choice of finishes: black brushed and anodized and black textured powder coat
- Optional rubber-lined captivating clamps available for use in mobile applications and installations in seismic zones
- Face plates may also be ordered separately (model AFACE, CFACE, SFACE)
- UL Listed in the US and Canada



RSH4A custom rackmount with unit installed



New design provides enhanced ventilation



RSH4A clamp option with unit installed



NEW Now accepts iPod® docks and iPad® mounts



Also available



RSH Custom LCD Mount see A&E specification # 96-999

Architects' and Engineers' Specifications

EIA compliant 19" custom rackmount shall be Middle Atlantic Products model # RSH4(A,S) custom fit to accommodate the component installed in RSH (A- black brushed and anodized, S- textured black powder coat). RSH series custom rackshelf shall be constructed of the following materials: vented bottoms and side panels (ears) shall be 16-gauge steel with a durable flat black powder coat finish, faceplate shall be .063" thick aluminum. Custom rackshelf shall be UL Listed in the US and Canada. Clamp kit for RSH series custom rackshelf shall be Middle Atlantic Products part # -C. Clamp kit shall be constructed of 16-gauge steel and finished in a durable black powder coat. Custom rackshelf shall be GREENGUARD Indoor Air Quality Certified for Children and Schools. Custom rackshelf shall be RoHS EU Directive 2002/95/EC compliant.

Custom rackshelf shall be manufactured by an ISO 9001 and ISO 14001 registered company. Custom rackshelf shall be warranted to be free from defects in material or workmanship under normal use and conditions for the lifetime of the product.

OPTIONS

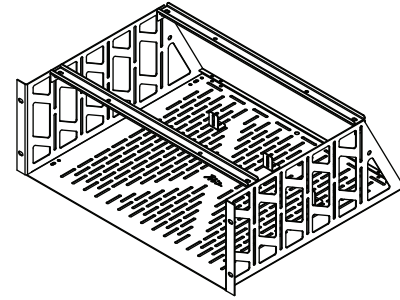
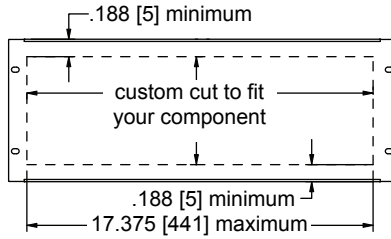
- Clamp kit for use in mobile applications and installations in seismic zones, part # -C

CUSTOMIZABLE SPECIFICATION CLIPS AVAILABLE AT MIDDLEATLANTIC.COM

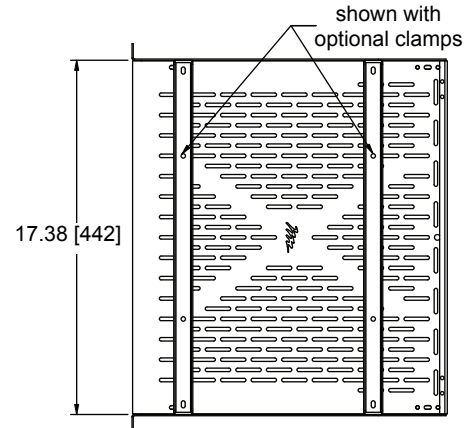
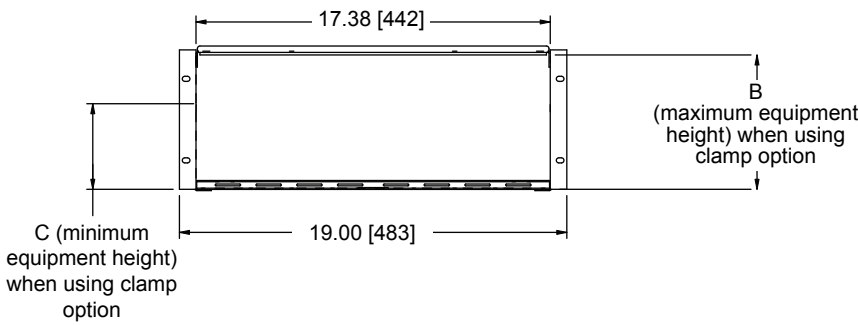
RSH basic dimensions

All dimensions in inches unless otherwise noted [All dimensions in brackets are millimeters]

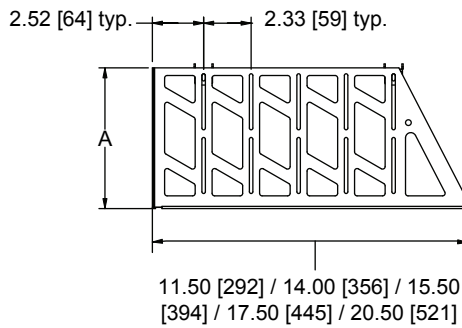
FRONT VIEW



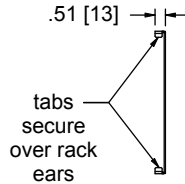
FRONT VIEW



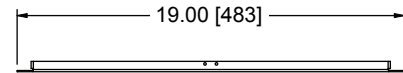
SIDE VIEW



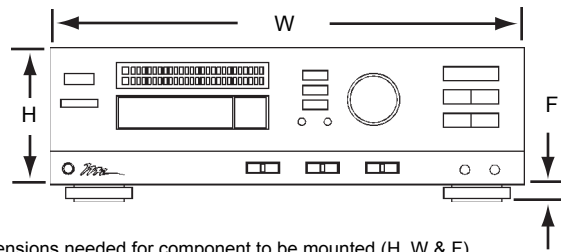
SIDE VIEW



FRONT VIEW



RACKSPACES	A Height	OPTIONAL CLAMP B Maximum equipment height	OPTIONAL CLAMP C minimum equipment height
2 space	3.50 [89]	2.85 [72]	1.04 [26]
3 space	5.25 [133]	4.60 [117]	2.79 [71]
4 space	7.00 [178]	6.35 [161]	4.54 [115]
5 space	8.75 [222]	8.10 [206]	6.29 [160]
6 space	10.50 [267]	9.85 [250]	8.04 [204]
7 space	12.25 [311]	11.60 [295]	9.79 [249]
8 space	14.00 [356]	13.35 [339]	11.54 [293]
9 space	15.75 [400]	15.10 [384]	13.29 [338]
10 space	17.50 [445]	16.85 [428]	15.04 [382]
11 space	19.25 [489]	18.60 [472]	16.79 [427]
12 space	21.00 [533]	20.35 [517]	18.54 [471]



Dimensions needed for component to be mounted (H, W & F), must be accurate within 1/32"

PART #	FINISH
RSH4A	black brushed and anodized
RSH4S	black textured powder coat
-C	clamp kit for all above
AFACE	black anodized face plate only
SFACE	black textured face plate only



RSH iPod® dock basic dimensions

All dimensions in inches unless otherwise noted [All dimensions in brackets are millimeters]

