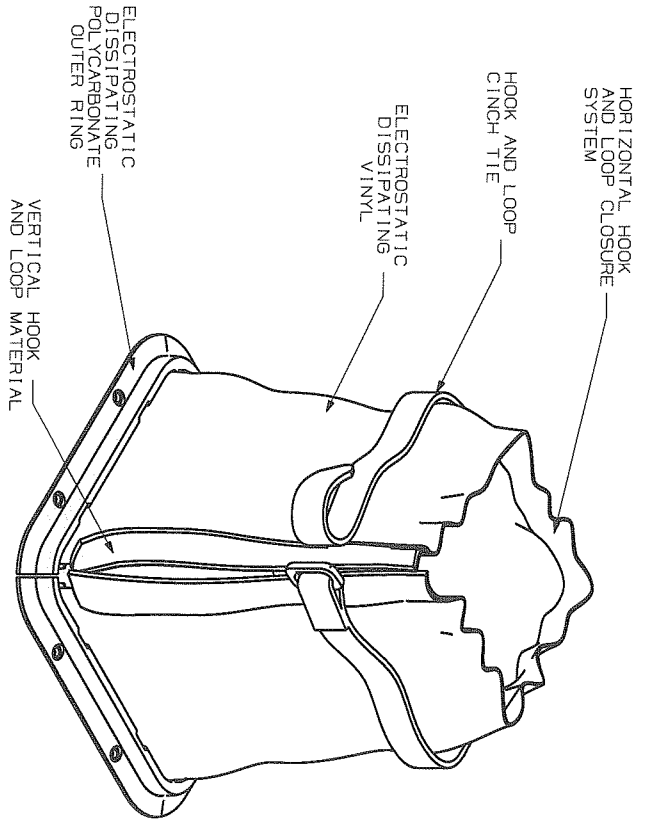
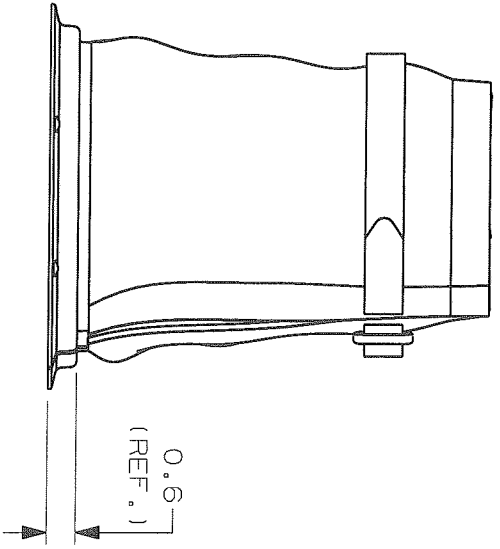
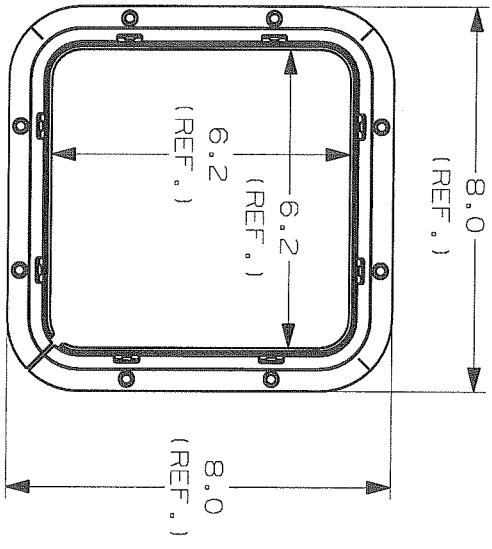


THIS COPY IS PROVIDED ON A RESTRICTED BASIS AND IS NOT TO BE USED IN ANY WAY DETRIMENTAL TO THE INTERESTS OF PANDUIT CORP.



NOTE:
 1) PRODUCT INCLUDES PHILLIPS PANHEAD SELF-DRILL SCREWS, #6 x 5/8", (QTY 8).

REV	DATE	BY	CHK	DESCRIPTION
00B	08/15/08	ARHA		ADDED "Y" PART NUMBER: CHANGED REV. STYLE.
R	01/18/08	ARHA		INITIAL RELEASE

DIMENSIONS IN BRACKETS ARE METRIC (mm)	
CAD FILENAME/LAYERS G03405VD_DC_GB3405VD_00B	
PANDUIT CORP. TINLEY PARK, ILLINOIS	
RFGBX8SM(Y)	
RAISED FLOOR GROMMET (SURFACE MOUNT)	
UNLESS OTHERWISE SPECIFIED, DIMENSIONAL TOLERANCES ARE: (.XX) ±0.1 (2.5) (.XXX) ±0.010 (0.25) (XXX) ±0.02 (0.5) ANGLES ±5°	UNLESS OTHERWISE SPECIFIED, ALL DIMENSIONS ARE GIVEN IN INCHES, THIRD ANGLE PROJECTION.
DRAWN BY ARHA	SCALE 1:4
DATE 01/18/08	DRAWING NO. GB3405VD
CHK'D KLN	QMS A
SEE TABLE	
SIZE	