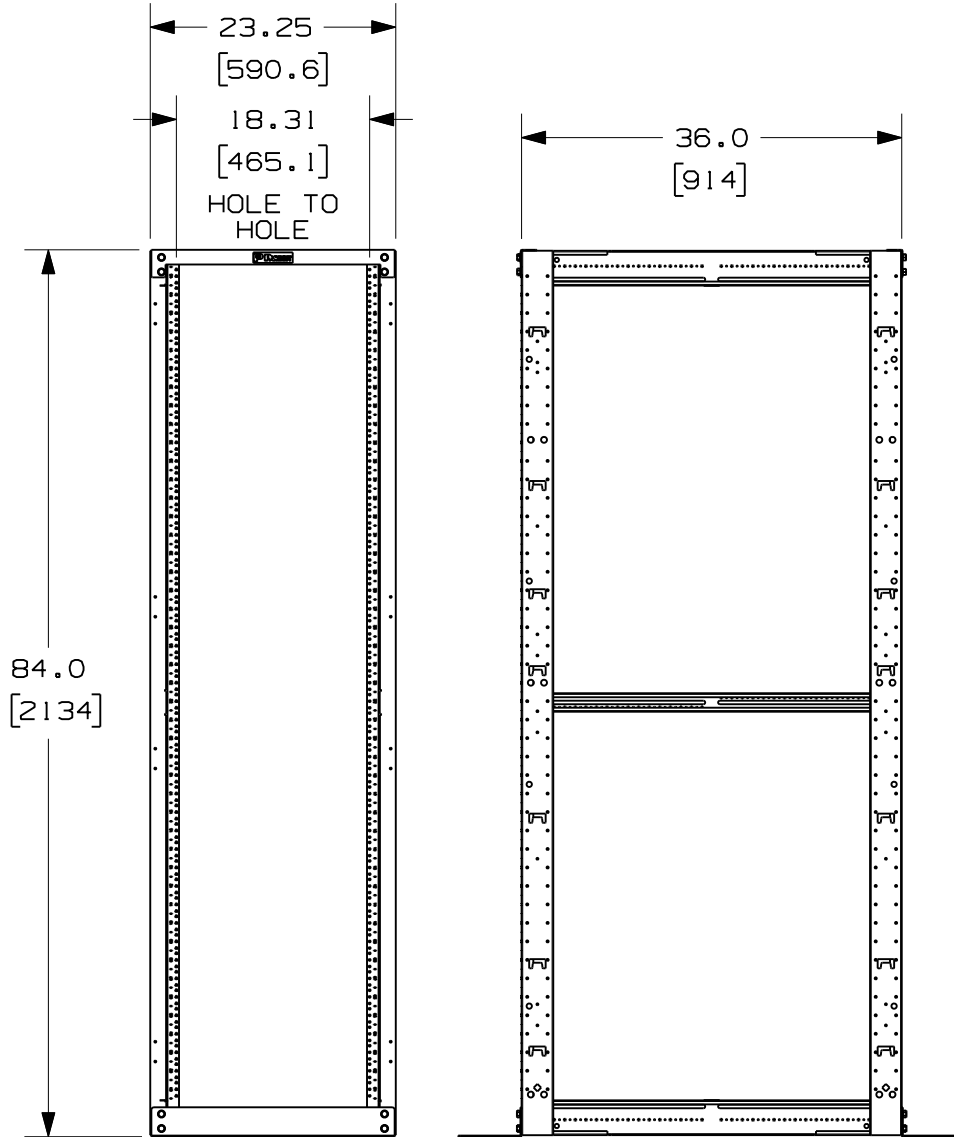


THIS COPY IS PROVIDED ON A RESTRICTED BASIS AND IS NOT TO BE USED IN ANY WAY DETRIMENTAL TO THE INTERESTS OF PANDUIT CORP.



PANDUIT P/N	WEIGHT
R4P36	109 LBS/EACH 49.5 Kg/EACH
R4P36CN	100 LBS/EACH 45.4 Kg/EACH

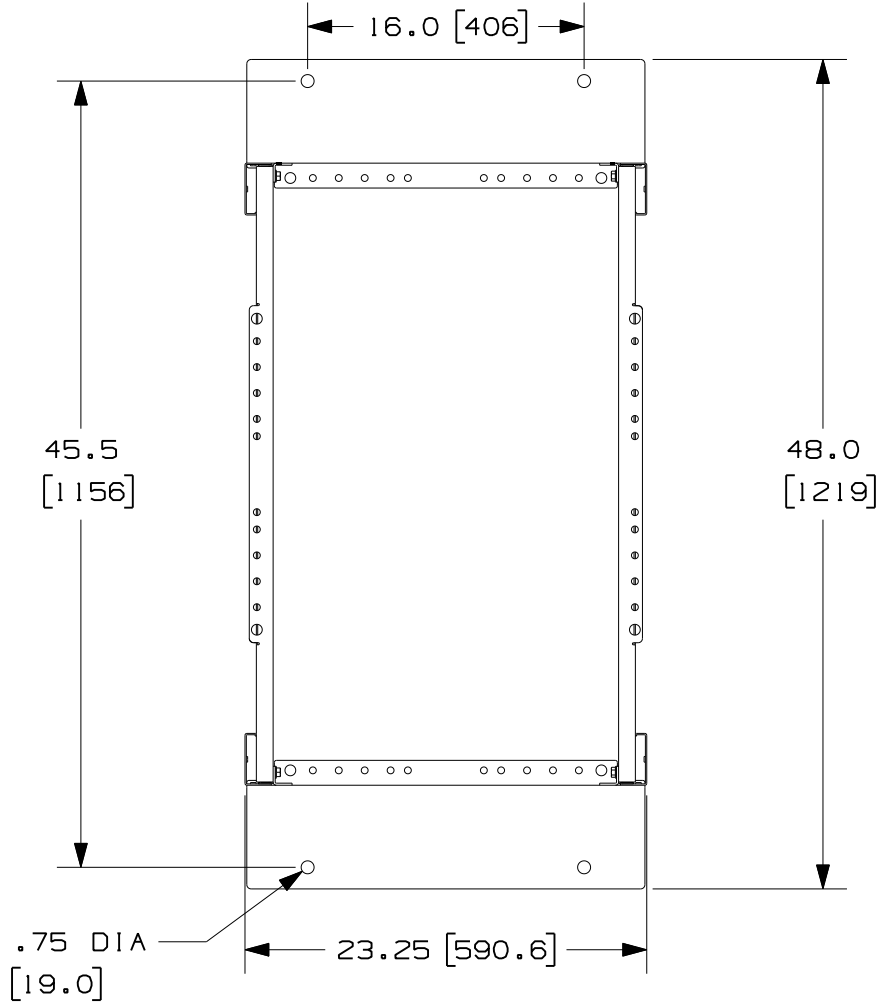
NOTES:

- VISIT OUR ON-LINE CATALOG AT WWW.PANDUIT.COM FOR A LIST OF CURRENT PARTS APPLICABLE FOR USE WITH THIS PRODUCT.
- DIMENSIONS IN PARENTHESIS ARE METRIC.
- INDEPENDENT ADJUSTABLE FRONT & REAR MOUNTING RAILS (EIA) ADJUST FROM 3.25" TO 36" DEPTH.
- CAN BE USED WITH ANY EIA STANDARD COMPONENT IN ADDITION TO ALL PANDUIT HORIZONTAL CABLE MANAGEMENT AND PATCH PANEL PRODUCTS.
- 45 AVAILABLE RACK SPACES.
- EIA UNIVERSAL STANDARD HOLE PROGRESSION ON FRONT CHANNELS AND REAR MOUNT RAILS .625"-.625"-.500"-.625"-.625"-.500"...ETC.
- ALL RACKS WILL HAVE NUMBERS UP ORIENTATION (RU "01" ON BOTTOM, RU "45" ON TOP). INSTRUCTIONS WILL BE PROVIDED ON HOW TO GET NUMBERS DOWN ORIENTATION.
- RU SPACING NUMBERS ARE CLEARLY PRINTED ON MOUNTING RAILS.
- ALL ASSEMBLY HARDWARE INCLUDED:
 - (16) 3/8-16 X 1" BLACK HEX BOLT
 - (16) 3/8" PAINT PIERCING GROUNDING WASHER
 - (1) TUBE OF ANTI-OXIDIZING PASTE
 - (25) 12-24 X .5" SLOTTED PAN HEAD STEEL SCREW
 - (25) #12-24 CAGE NUTS (ONLY PROVIDED FOR R4P36CN)
- EASY ASSEMBLY, ONE WRENCH NEEDED TO INSTALL BOLTS INTO WELDNUTS IN ALL 8 CORNERS.
- FULLY BONDED STRUCTURE WHEN ASSEMBLED PER INSTRUCTIONS.
- LOAD RATING - 2500 LBS.

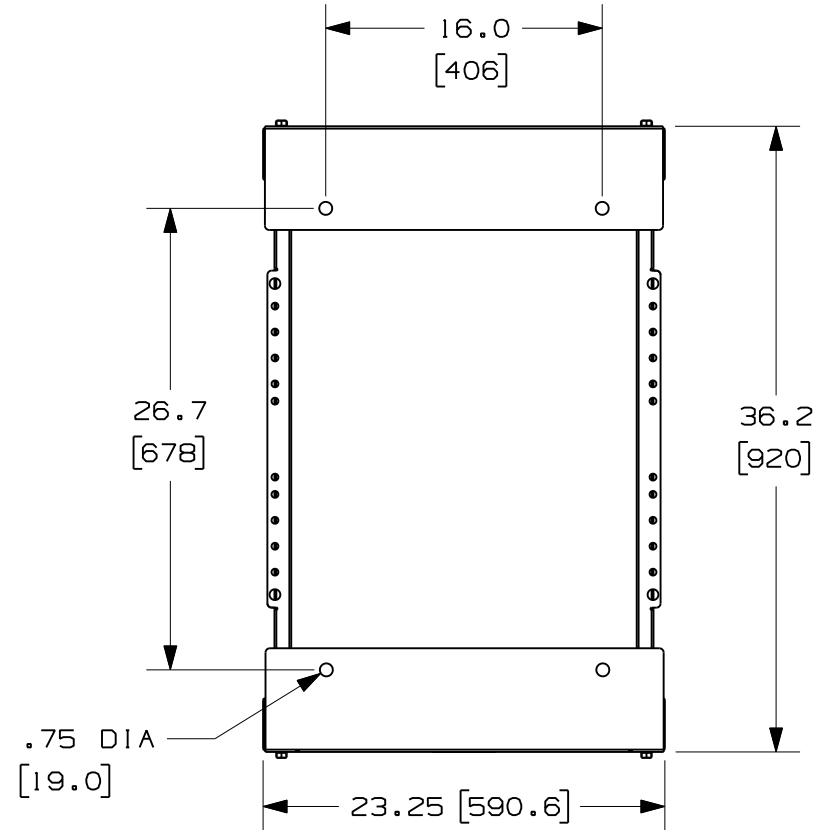
MODEL FILENAME		V10679AR/03	
CAD FILENAME/LAYERS		V10679AR_DC/03A	
<h1>PANDUIT</h1> CORP. TINLEY PARK, ILLINOIS			
36" DEEP 4 POST RACK (R4P36/R4P36CN) CUSTOMER DRAWING			
UNLESS OTHERWISE SPECIFIED, DIMENSIONAL TOLERANCES ARE:		UNLESS OTHERWISE SPECIFIED, ALL DIMENSIONS ARE GIVEN IN INCHES, THIRD ANGLE PROJECTION.	
(.X) ± (.XX) ±		(.XXX) ± ANGLES ±	
DRAWN BY	MAT'L:	SCALE	
BAME	STEEL	NONE	
DATE		DRAWING NO.	DWG
3-31-09		V10679AR-DC	A
CHK'D		SHEET 1 OF 3	
DS1		SIZE	

REV	DATE	BY	CHK	DESCRIPTION	ECN	R	CUST	SUP	OTH
03A	3-3-11	BAME	SRK	A. REVISED COMPONENT GEOMETRY	V10679AR-DC				
02B	3-30-10	PBS	DPN	REVISED DIMS ON PAGE 2	V10679AR-DC				
02A	10-9-09	BAME	DS1	ADJUSTED LOAD RATING	V10679AR-DC		CMK		
01A	3-31-09	BAME	DS1	RELEASED TO PRODUCTION	V10679AR-DC		CMK		

THIS COPY IS PROVIDED ON A RESTRICTED BASIS AND IS NOT TO BE USED IN ANY WAY DETRIMENTAL TO THE INTERESTS OF PANDUIT CORP.



FLOOR FOOTPRINT WITH
BASE ANGLES TURNED
OUTWARD FOR EXTENDED
FOOTPRINT



FLOOR FOOTPRINT WITH
BASE ANGLES TURNED INWARD

MODEL FILENAME	V10679AR/03
CAD FILENAME/LAYERS	V10679AR_DC/03A
<h1>PANDUIT</h1> CORP. TINLEY PARK, ILLINOIS	
36" DEEP 4 POST RACK (R4P36/R4P36CN) CUSTOMER DRAWING	

UNLESS OTHERWISE SPECIFIED,
DIMENSIONAL TOLERANCES ARE:
(.X) ± (.XXX) ±
(.XX) ± ANGLES ±

UNLESS OTHERWISE SPECIFIED,
ALL DIMENSIONS ARE GIVEN
IN INCHES, THIRD ANGLE PROJECTION.

DRAWN BY BAME	MAT'L: STEEL	SCALE NONE
DATE 3-31-09		DRAWING NO. V10679AR-DC
CHK'D DS1		SHEET 2 OF 3
		DWG A SIZE

REV	DATE	BY	CHK	DESCRIPTION	ECN	R	CUST	SUP	OTH
03A	3-3-11	BAME	SRK	SEE SHEET 1 OF 3 FOR REVISIONS	V10679AR-DC				
02B	3-30-10	PBS	DPN	SEE SHEET 1 OF 3 FOR REVISIONS	V10679AR-DC				
02A	10-9-09	BAME	DS1	SEE SHEET 1 OF 3 FOR REVISIONS	V10679AR-DC		CMK		
01A	3-31-09	BAME	DS1	SEE SHEET 1 OF 3 FOR REVISIONS	V10679AR-DC		CMK		

THIS COPY IS PROVIDED ON A RESTRICTED BASIS AND IS NOT TO BE USED IN ANY WAY DETRIMENTAL TO THE INTERESTS OF PANDUIT CORP.

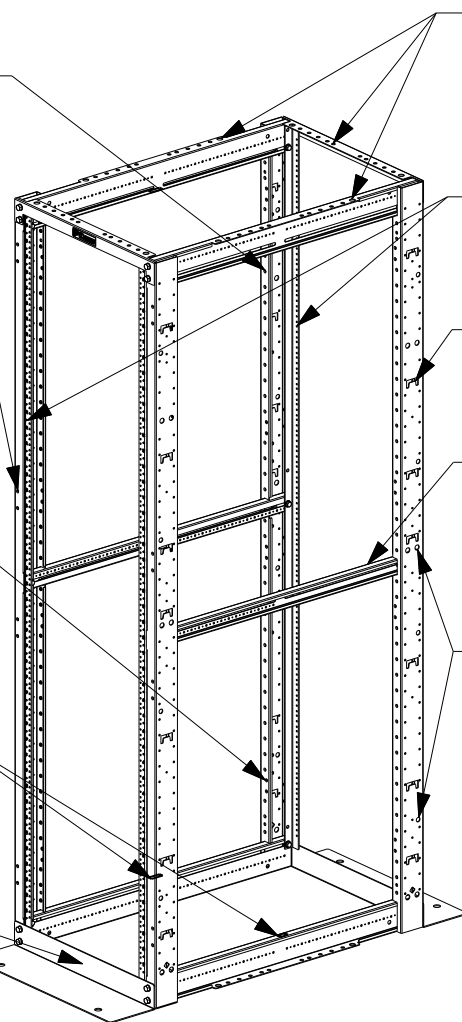
BONUS HOLES ARE FOR MOUNTING PANDUIT ACCESSORIES, SEE NOTE 1.

MOUNTING HOLES FOR OPTIONAL POWER STRIP BRACKET. BRACKETS CAN BE MOUNTED ON ANY OF THE 4 POSTS OR ADJUSTABLE RAILS.

OPTIONAL POST HOLES FOR BRACKET MOUNTING NETRUNNER

MASKED AREA FOR GROUNDING, TOP & BOTTOM OF RACK. 4 PLACES

BASE ANGLES (SEE SHEET 2 FOR MOUNTING POSITIONS)



"J" BOLT MOUNTING HOLES FOR SECURING LADDER RACK PERPENDICULAR AND PARALLEL TO 4 POST RACK.

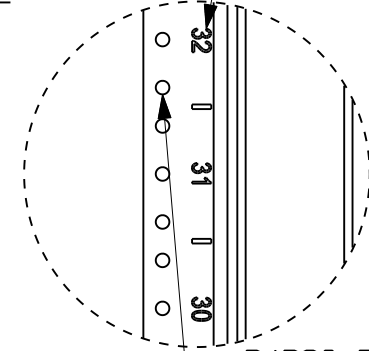
MOUNTING RAILS (ADJUSTABLE FROM 3.25" TO 36")

CUTOUTS FOR MOUNTING PANDUIT ACCESSORIES SEE NOTE 1.

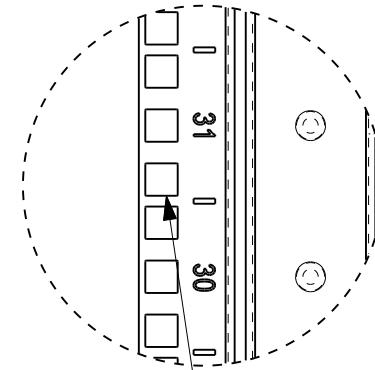
CROSS BEAMS ARE MARKED EVERY 1/2" FOR MOUNTING RAIL ALIGNMENT

MOUNTING HOLES FOR VERTICAL MANAGERS. DOUBLE HOLES ARE FOR MOUNTING PATCHRUNNER. SINGLE HOLES ARE FOR SIDE MOUNTING NETRUNNER.

RU SPACINGS ARE PRINTED ON MOUNTING RAILS



R4P36 RAILS HAVE TAPPED HOLES



R4P36CN RAILS HAVE CAGE NUT HOLES

MODEL FILENAME V10679AR/03

CAD FILENAME/LAYERS V10679AR_DC/03A

PANDUIT CORP. TINLEY PARK, ILLINOIS

36" DEEP 4 POST RACK (R4P36/R4P36CN) CUSTOMER DRAWING

REV	DATE	BY	CHK	DESCRIPTION	ECN	R	CUST	SUP	OTH
03A	3-3-11	BAME	SRK	SEE SHEET 1 OF 3 FOR REVISIONS	V10679AR-DC				
02B	3-30-10	PBS	DPN	SEE SHEET 1 OF 3 FOR REVISIONS	V10679AR-DC				
02A	10-9-09	BAME	DS1	SEE SHEET 1 OF 3 FOR REVISIONS	V10679AR-DC		CMK		
01A	3-31-09	BAME	DS1	SEE SHEET 1 OF 3 FOR REVISIONS	V10679AR-DC		CMK		

UNLESS OTHERWISE SPECIFIED, DIMENSIONAL TOLERANCES ARE:
 (.X) ± (.XXX) ±
 (.XX) ± ANGLES ±

UNLESS OTHERWISE SPECIFIED, ALL DIMENSIONS ARE GIVEN IN INCHES, THIRD ANGLE PROJECTION.

DRAWN BY BAME

MAT'L:

SCALE NONE

DATE 3-31-09

STEEL

DRAWING NO. V10679AR-DC SHEET 3 OF 3

DWG SIZE A

CHK'D DS1