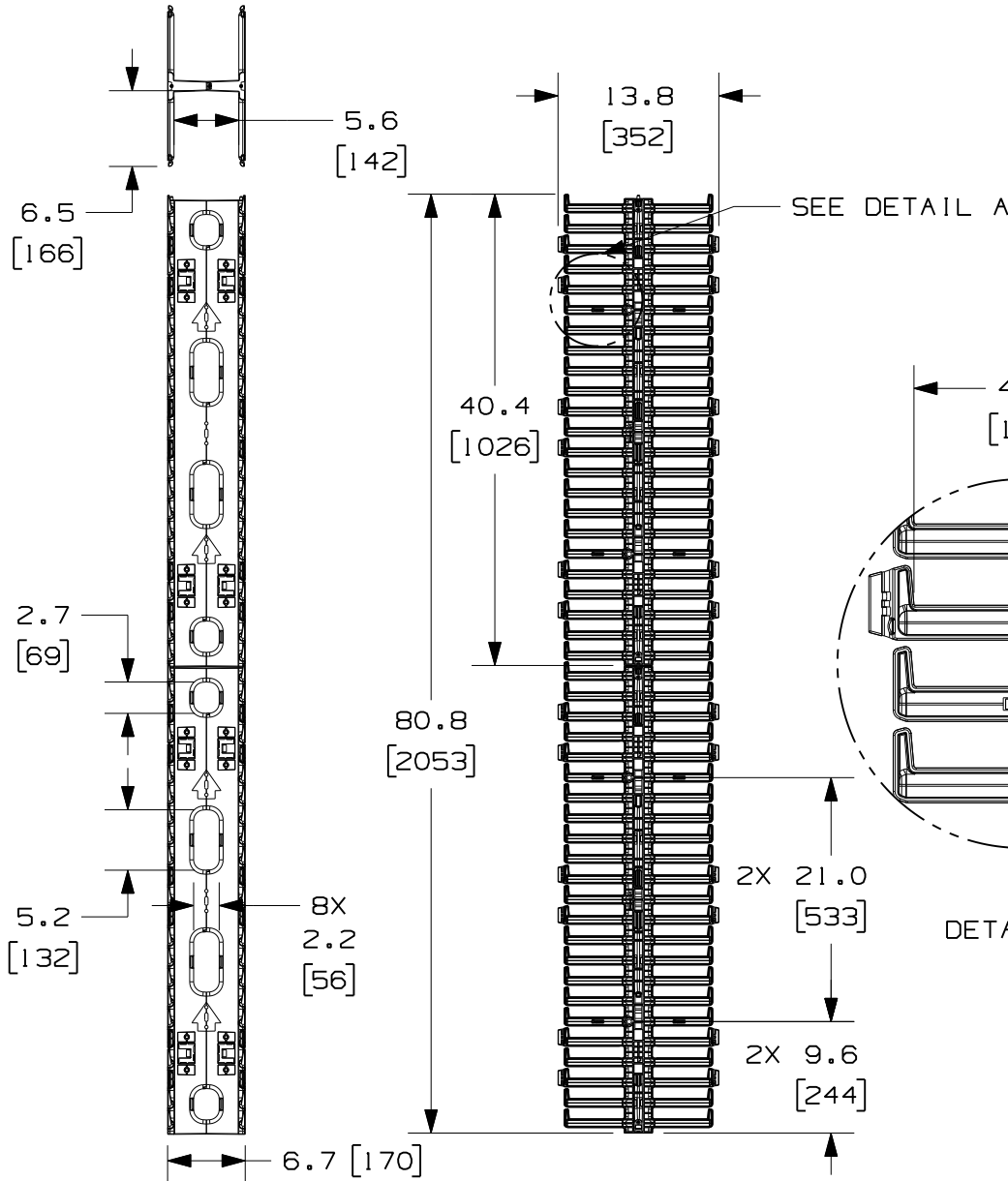


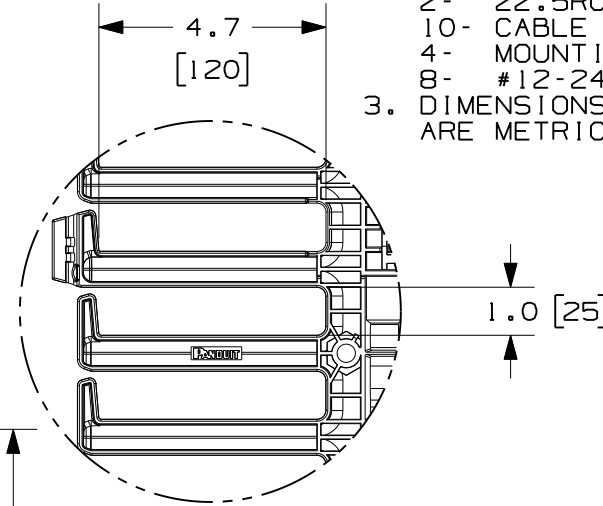
THIS COPY IS PROVIDED ON A RESTRICTED BASIS AND IS NOT TO BE USED IN ANY WAY DETRIMENTAL TO THE INTERESTS OF PANDUIT CORP.



PANDUIT P/N	WEIGHT
NRV6	17.7 LBS/EACH 8.1 Kg/EACH

NOTES:

- VISIT OUR ON-LINE CATALOG AT [WWW.PANDUIT.COM](http://WWW.PANDUIT.COM) FOR A CURRENT LIST OF PRODUCTS APPLICABLE FOR USE WITH THIS PART.
- COMPONENTS:  
2- 22.5RU CABLE MANAGEMENT SECTIONS  
10- CABLE RETAINERS  
4- MOUNTING BRACKETS  
8- #12-24 X 1/2" SCREWS
- DIMENSIONS IN PARENTHESIS ARE METRIC.



DETAIL A

MODEL FILENAME	V10661AB/01
CAD FILENAME/LAYERS	V10661AB_DC/01A
<b>PANDUIT</b> CORP. TINLEY PARK, ILLINOIS	
NETRUNNER HIGH CAPACITY VERTICAL MANAGER, FRONT AND BACK, 6" WIDE (NRV6) CUSTOMER DRAWING	

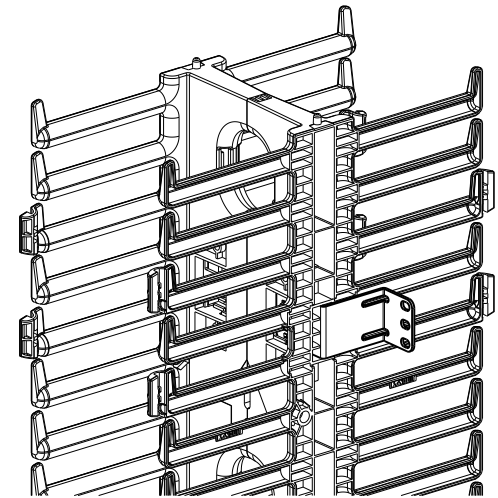
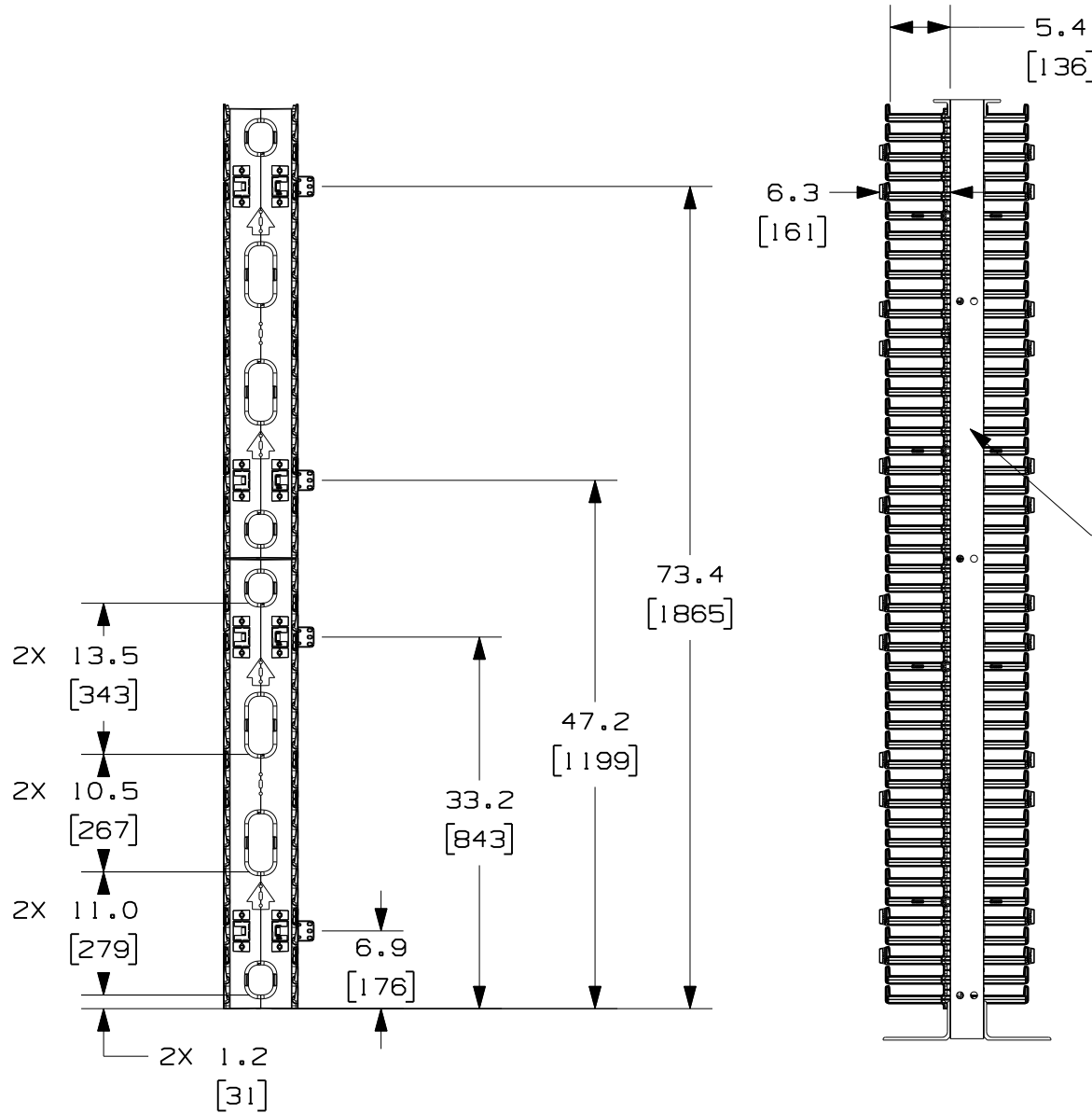
UNLESS OTHERWISE SPECIFIED, DIMENSIONAL TOLERANCES ARE:  
(.X) ± (.XXX) ±  
(.XX) ± ANGLES ±

UNLESS OTHERWISE SPECIFIED, ALL DIMENSIONS ARE GIVEN IN INCHES, THIRD ANGLE PROJECTION.

REV	DATE	BY	CHK	DESCRIPTION	ECN	R	CUST	SUP	OTH
O1A	12-14-10	BAME	NAGL	PROJECTION UPDATED			V10661AB-DC		
O0A	3-6-09	BAME	NAGL	RELEASED			V10661AB-DC		

DRAWN BY BAME	MAT'L: CABLE MANAGER- ABS CABLE RETAINER- POLYCARBONATE	SCALE NONE
DATE 3-6-09		DRAWING NO. V10661AB-DC
CHK'D NAGL		SHEET 1 OF 2
		DWG A SIZE

THIS COPY IS PROVIDED ON A RESTRICTED BASIS AND IS NOT TO BE USED IN ANY WAY DETRIMENTAL TO THE INTERESTS OF PANDUIT CORP.



CMR19X84 RACK

MODEL FILENAME	V10661AB/01
CAD FILENAME/LAYERS	V10661AB_DC/01A
<h1>PANDUIT</h1> CORP. TINLEY PARK, ILLINOIS	
NETRUNNER HIGH CAPACITY VERTICAL MANAGER, FRONT AND BACK, 6" WIDE (NRV6) CUSTOMER DRAWING	
UNLESS OTHERWISE SPECIFIED, DIMENSIONAL TOLERANCES ARE: (.X) ± (.XXX) ± (.XX) ± ANGLES ±	UNLESS OTHERWISE SPECIFIED, ALL DIMENSIONS ARE GIVEN IN INCHES, THIRD ANGLE PROJECTION.

REV	DATE	BY	CHK	DESCRIPTION	ECN	R	CUST	SUP	OTH
O1A	12-14-10	BAME	NAGL	SEE SHEET 1 OF 2 FOR REVISIONS	V10661AB-DC				
OOA	3-6-09	BAME	NAGL	SEE SHEET 1 OF 2 FOR REVISIONS	V10661AB-DC				

DRAWN BY BAME	MAT'L: CABLE MANAGER- ABS CABLE RETAINER- POLYCARBONATE	SCALE NONE
DATE 3-6-09	CHK'D NAGL	DRAWING NO. V10661AB-DC SHEET 2 OF 2
		DWG A SIZE