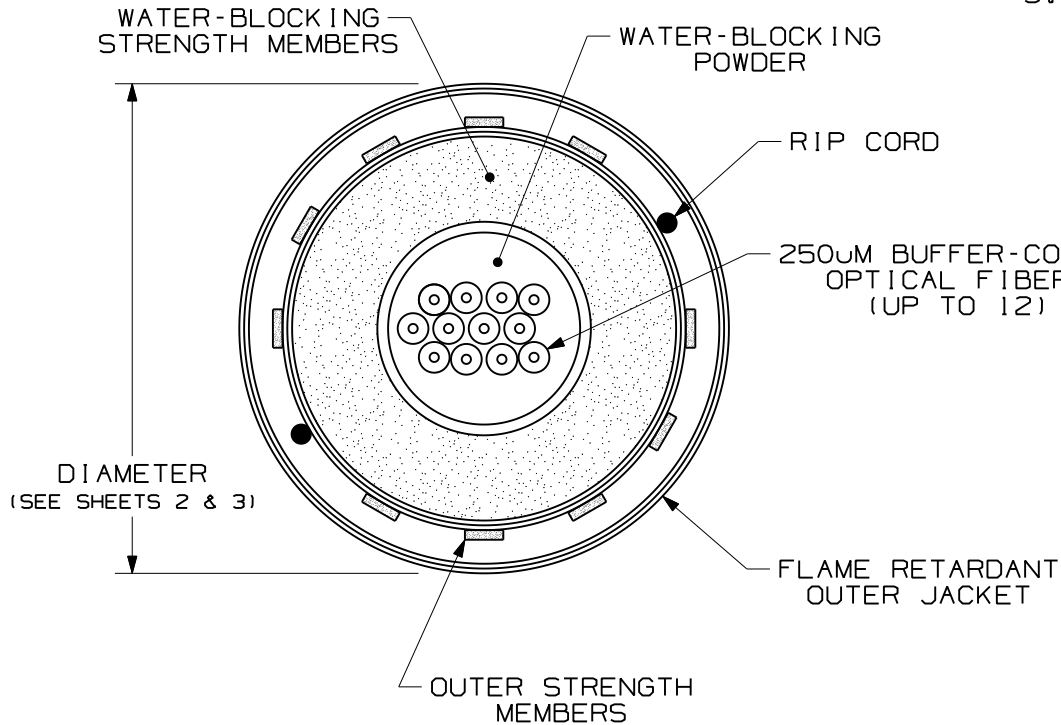


THIS COPY IS PROVIDED ON A RESTRICTED BASIS AND IS NOT TO BE USED IN ANY WAY DETRIMENTAL TO THE INTERESTS OF PANDUIT CORP.

NOTES:

1. DIAMETER DIMENSION, SHOWN FOR REFERENCE ONLY.
2. DIMENSIONS IN BRACKETS [] ARE ENGLISH.
3. ALL MATERIALS AND COMPONENTS USED MUST MEET THE MATERIAL RESTRICTIONS OF RoHS (EUROPEAN DIRECTIVE 2002/95/EC ON THE RESTRICTION OF HAZARDOUS SUBSTANCES) AS PROPOSED BY THE RoHS TECHNICAL ADAPTATION COMMITTEE.



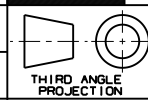
TECHNICAL SPECIFICATIONS		
MAXIMUM LOSS		SINGLEMODE MAXIMUM LOSS
3.5 dB/KM @ 850nm 1.5 dB/KM @ 1300nm		.40 dB/KM @ 1310nm .30 dB/KM @ 1500nm
TENSILE LOAD - RISER RATED		
INSTALLATION		LONG TERM
1335 N (300 lbf)		400 N (90 lbf)
TEMPERATURE		
INSTALLATION	OPERATION	STORAGE
-20° C TO +60° C -4° F TO +140° F	-40° C TO +75° C -40° F TO +167° F	-40° C TO +85° C -40° F TO +185° F

06	04-28-11	EFK		RELEASED TO PRODUCTION	02055-144					
REV	DATE	BY	CHK	DESCRIPTION	ECN	R	CUST	SUP	OTH	

OPTI-CORE INDOOR/OUTDOOR CABLE WITH UP TO 12 FIBERS IN A CENTRAL TUBE
CUSTOMER DRAWING



PANDUIT™
CORP.
TINLEY PARK, ILL 60477



ALL DIMENSIONS ARE GIVEN IN INCHES, UNLESS OTHERWISE SPECIFIED.
DIMENSIONAL TOLERANCES ARE:
(.X) (.XXX)±0.3 (.010)
(.XX)±0.8 (.03) ANGLES

DRAWING FILENAME
MO2055CB_DC_/00G

SCALE
NONE

DRAWN BY
EFK

REVIEW DRAWING NUMBERS

PART NO.
FSC****Y
FOC****Y

DATE
02-12-07

CHK'D
WMA


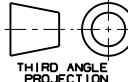
DRAWING NO.
02055-144

SIZE
A

SHEET 1 OF 3

THIS COPY IS PROVIDED ON A RESTRICTED BASIS AND IS NOT TO BE USED IN ANY WAY DETRIMENTAL TO THE INTERESTS OF PANDUIT CORP.

PANDUIT PART NUMBER	FIBER TYPE	JACKET RATING	JACKET COLOR	FIBER COUNT	DIMENSION "A"	BEND RADIUS	
						INSTALLED	LONG TERM
FSCR906Y	SINGLEMODE 9/125	OFNR	BLACK	6	6.5mm [0.256"]	9.9cm [3.9"]	6.6cm [2.6"]
FSCR912Y				12			
FSCP906Y		OFNP	YELLOW	6			
FSCP912Y				12			
FSCL906Y		OFNR-LS	YELLOW	6			
FSCL912Y				12			
FSCR606Y	MULTIMODE 62.5/125	OFNR	BLACK	6	6.5mm [0.256"]	9.9cm [3.9"]	6.6cm [2.6"]
FSCR612Y				12			
FSCP606Y		OFNP	ORANGE	6			
FSCP612Y				12			
FSCL606Y		OFNR-LS	ORANGE	6			
FSCL612Y				12			


										OPTI-CORE INDOOR/OUTDOOR CABLE WITH UP TO 12 FIBERS IN A CENTRAL TUBE CUSTOMER DRAWING		
												
										PANDUIT ™ CORP. TINLEY PARK, ILL 60477		
										 ALL DIMENSIONS ARE GIVEN IN INCHES, UNLESS OTHERWISE SPECIFIED, DIMENSIONAL TOLERANCES ARE: (.X) (.XXX) ±0.3 (.010) (.XX) ±0.8 (.03) ANGLES		
										DRAWING FILENAME M02055CB_DC/00G		
										SCALE NONE		
										PART NO. FSC****Y FOC****Y		
06	04-28-11	EFK		RELEASED TO PRODUCTION	02055-144					DATE 02-12-07	DRAWING NO. 02055-144	SIZE A
REV	DATE	BY	CHK	DESCRIPTION	ECN	R	CUST	SUP	OTH	CHK'D WMA	SHEET 2 OF 3	

THIS COPY IS PROVIDED ON A RESTRICTED BASIS AND IS NOT TO BE USED IN ANY WAY DETRIMENTAL TO THE INTERESTS OF PANDUIT CORP.

PANDUIT PART NUMBER	FIBER TYPE	JACKET RATING	JACKET COLOR	FIBER COUNT	DIMENSION "A"	BEND RADIUS	
						INSTALLED	LONG TERM
FSCR506Y	MULTIMODE 50/125	OFNR	BLACK	6	6.5mm [0.256"]	9.9cm [3.9"]	6.6cm [2.6"]
FSCR512Y				12			
FSCP506Y		OFNP	ORANGE	6			
FSCP512Y				12			
FSCL506Y		OFNR-LS	AQUA	6			
FSCL512Y				12			
FOCRX06Y	MULTIMODE 50/125 OM3	OFNR	BLACK	6	6.5mm [0.256"]	9.9cm [3.9"]	6.6cm [2.6"]
FOCRX12Y				12			
FOCPX06Y		OFNP	AQUA	6			
FOCPX12Y				12			
FOCLX06Y		OFNR-LS	AQUA	6			
FOCLX12Y				12			
FOCRZ06Y	MULTIMODE 50/125 OM4	OFNR	BLACK	6	6.5mm [0.256"]	9.9cm [3.9"]	6.6cm [2.6"]
FOCRZ12Y				12			
FOCPZ06Y		OFNP	AQUA	6			
FOCPZ12Y				12			
FOCLZ12Y		OFNR-LS	AQUA	12			

REV	DATE	BY	CHK	DESCRIPTION	ECN	R	CUST	SUP	OTH
06	04-28-11	EFK		RELEASED TO PRODUCTION	02055-144				

OPTI-CORE INDOOR/OUTDOOR CABLE WITH UP TO 12 FIBERS IN A CENTRAL TUBE
CUSTOMER DRAWING



PANDUIT™
CORP.
TINLEY PARK, ILL 60477

ALL DIMENSIONS ARE GIVEN IN INCHES, UNLESS OTHERWISE SPECIFIED.
DIMENSIONAL TOLERANCES ARE:
(.X) (.XXX)±0.3 (.010)
(.XX)±0.8 (.03) ANGLES

DRAWING FILENAME: M02055CB_DC/00G
SCALE: NONE
PART NO.: FSC****Y FOC****Y
DRAWING NO.: 02055-144
SHEET 3 OF 3
SIZE: A

THIRD ANGLE PROJECTION

DRAWN BY: EFK
DATE: 02-12-07
CHK'D: WMA

REVIEW DRAWING NUMBERS