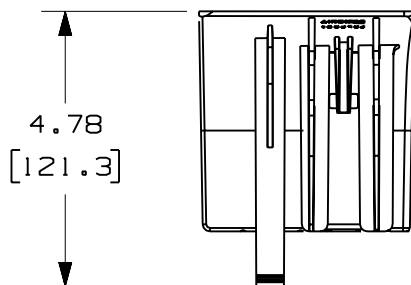
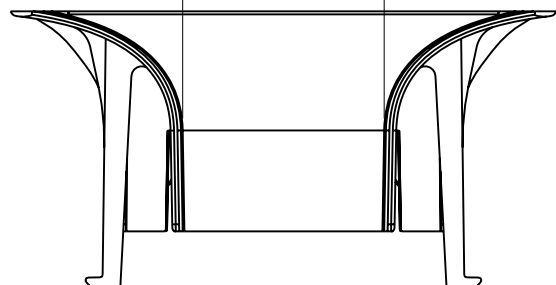
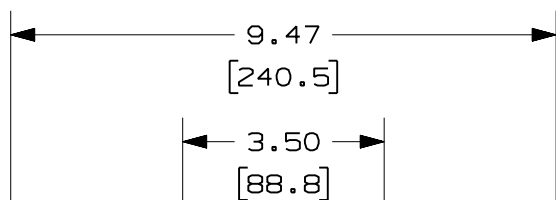
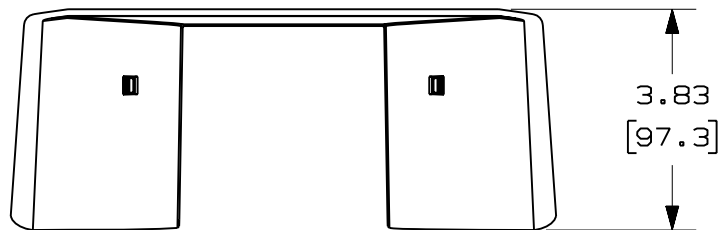


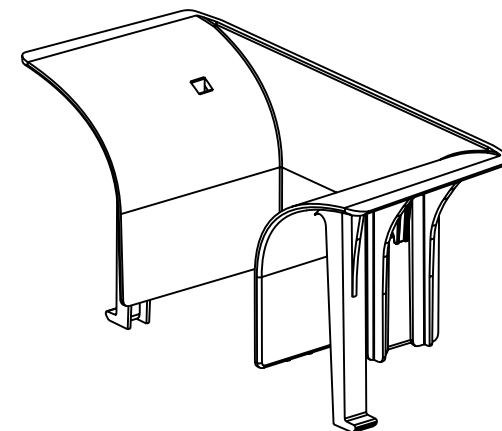


PANDUIT PART NUMBER	WEIGHT
FRLPR64BL	0.45 LB/EACH (206g/EACH)



NOTES:

1. SEE CURRENT CATALOG FOR ADDITIONAL PART SUFFIXES TO INDICATE PACKAGE QUANTITY.
2. THE FIBERRUNNER 6-4 LOW PROFILE REDUCER IS DESIGNED WITH A MINIMUM 2" (50.8) BEND RADIUS TO PROTECT FIBER OPTIC CABLES.
3. THE FIBERRUNNER 6-4 LOW PROFILE REDUCER ALLOWS FOR FIBER-DUCT 4x4 SOLID OR SLOTTED WALL CHANNEL TO BE INSERTED INTO THE VERTICAL EXIT END OF THE FIBERRUNNER 12x4 VERTICAL TEE FITTING.
4. DIMENSIONS IN PARENTHESES ARE IN METRIC.



ENG. REF.: D38671BC_DC_FRLPR64BL_01.prt

CAD FILENAME/LAYERS



FRLPR64BL.pdf

PANDUIT CORP TINLEY PARK, ILLINOIS
FIBERRUNNER 6-4 LOW PROFILE REDUCER (FRLPR64BL)
 CUSTOMER DRAWING



UNLESS OTHERWISE SPECIFIED, DIMENSIONAL TOLERANCES ARE:

(.X) ± (.XXX) ±
 (.XX) ± .03 (.8) ANGLES ±

UNLESS OTHERWISE SPECIFIED, ALL DIMENSIONS ARE GIVEN IN INCHES, THIRD ANGLE PROJECTION.

DRAWN BY: JHNU
 DATE: 10-9-03
 CHK'D: RPA

MAT'L: ABS AND STEEL

SCALE: NONE
 DRAWING NO.: 38671-03
 DWG SIZE: A

REV	DATE	BY	CHK	DESCRIPTION	ECN	R	CUST	SUP	GMBH
-	-----	---	---	F. REVISED PART WEIGHT	-----	--	--		
-	-----	---	---	E. REVISED GENERAL NOTES D. REVISED CAD FILENAME	-----	--	--		
2	7-6-06	DTP	RN	C. REVISED DRAWING TITLE B. REVISED AND REDRAWN	38671-03	RN	RN		