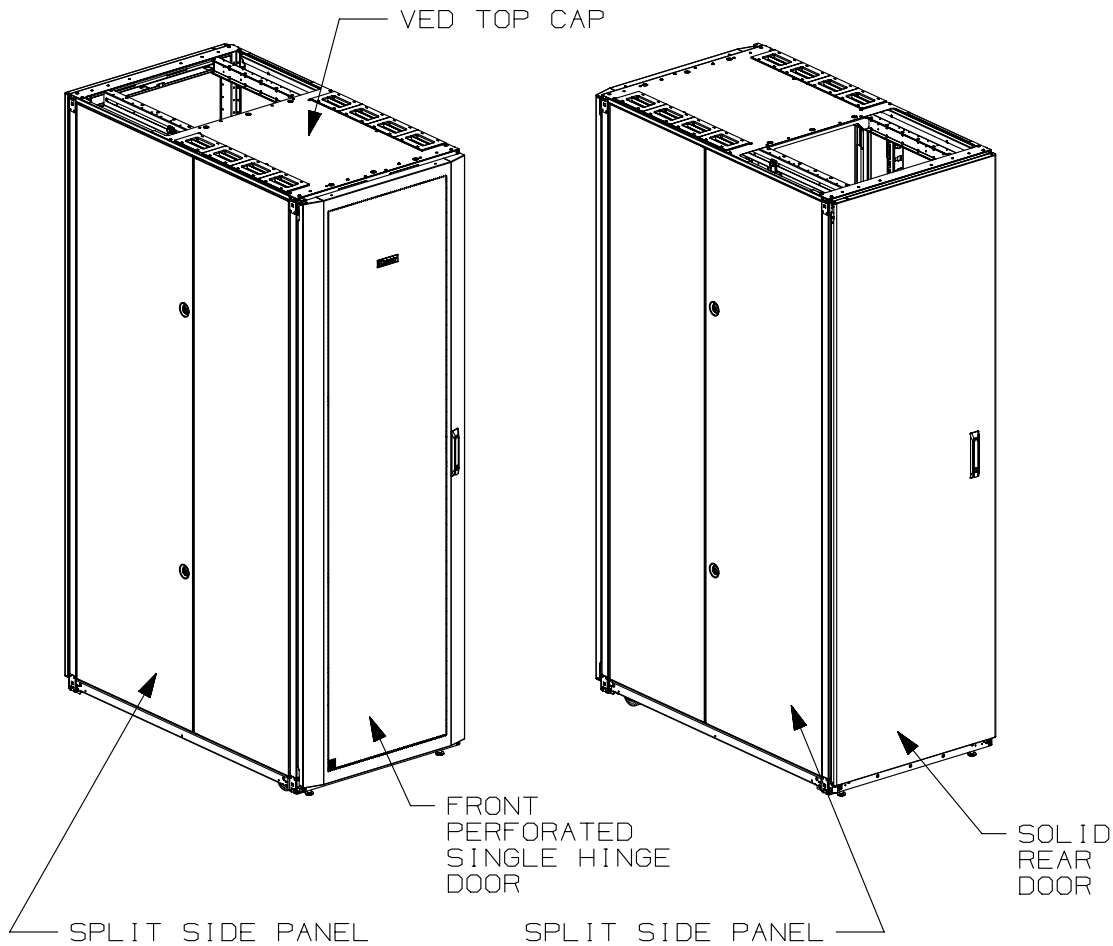


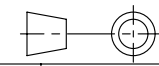
THIS COPY IS PROVIDED ON A RESTRICTED BASIS AND IS NOT TO BE USED IN ANY WAY DETRIMENTAL TO THE INTERESTS OF PANDUIT CORP.

1. VISIT OUR ON-LINE CATALOG AT WWW.PANDUIT.COM FOR A LIST OF CURRENT PARTS APPLICABLE FOR USE WITH THIS PRODUCT.
2. PRIMARY DIMENSIONS ARE IN MILLIMETERS.
3. RAIL ADJUSTMENT MEASUREMENTS ARE TAKEN FROM THE FRONT FACE OF EACH EQUIPMENT RAIL. INDEPENDENT ADJUSTABLE REAR EQUIPMENT MOUNTING RAILS (EIA) ADJUST FROM 141mm [5.5in] TO 532mm [20.9in] AND FROM 583mm [22.9in] TO 1085mm [42.7in] WITH PDU BRACKETS AND CABLE MANAGEMENT FINGERS IN PLACE.
4. CAN BE USED WITH ANY 19" EIA STANDARD COMPONENT IN ADDITION TO ALL PANDUIT HORIZONTAL CABLE MANAGEMENT AND PATCH PANEL PRODUCTS.
5. EIA UNIVERSAL STANDARD HOLE PROGRESSION ON EQUIPMENT RAILS 15.88mm [.625in], 15.88mm [.625in], 12.70mm [.5in], 15.88mm [.625in], 15.88mm [.625in], 12.7mm [.5in]...ETC.
6. PARTS SUPPLIED:
 - BASE CABINET
 - FRONT PERFORATED SINGLE HINGE DOOR (SEE CHART ON SHEET 2)
 - SOLID REAR DOOR (SEE CHART ON SHEET 2)
 - SPLIT SIDE PANELS (SEE CHART ON SHEET 2)
 - CAGE NUT EQUIPMENT RAILS FRONT & REAR (SEE CHART ON SHEET 2)
 - PDU BRACKETS (SEE CHART ON SHEET 2)
 - CASTERS (SEE CHART ON SHEET 2)
 - (8) BEZELS AND BLANKS
 - CABINET HARDWARE KIT
 - INSTRUCTION SHEET
7. RACK UNIT SPACING NUMERALS ARE CLEARLY PRINTED ON EQUIPMENT MOUNTING RAILS.
8. FULLY BONDED STRUCTURE WHEN ASSEMBLED PER INSTRUCTIONS.
9. STATIC LOAD RATING. 1360 Kg (3000 LBS)
10. ROLLING LOAD RATING. 1133 Kg (2500 LBS)
11. SINGLE POINT GROUND LOCATIONS AT TOP AND BOTTOM OF CABINET.
12. ALL CABINET RAILS ARE INSTALLED NUMBERS UP.
13. MAXIMUM EQUIPMENT DEPTH, 1111mm [43.75].



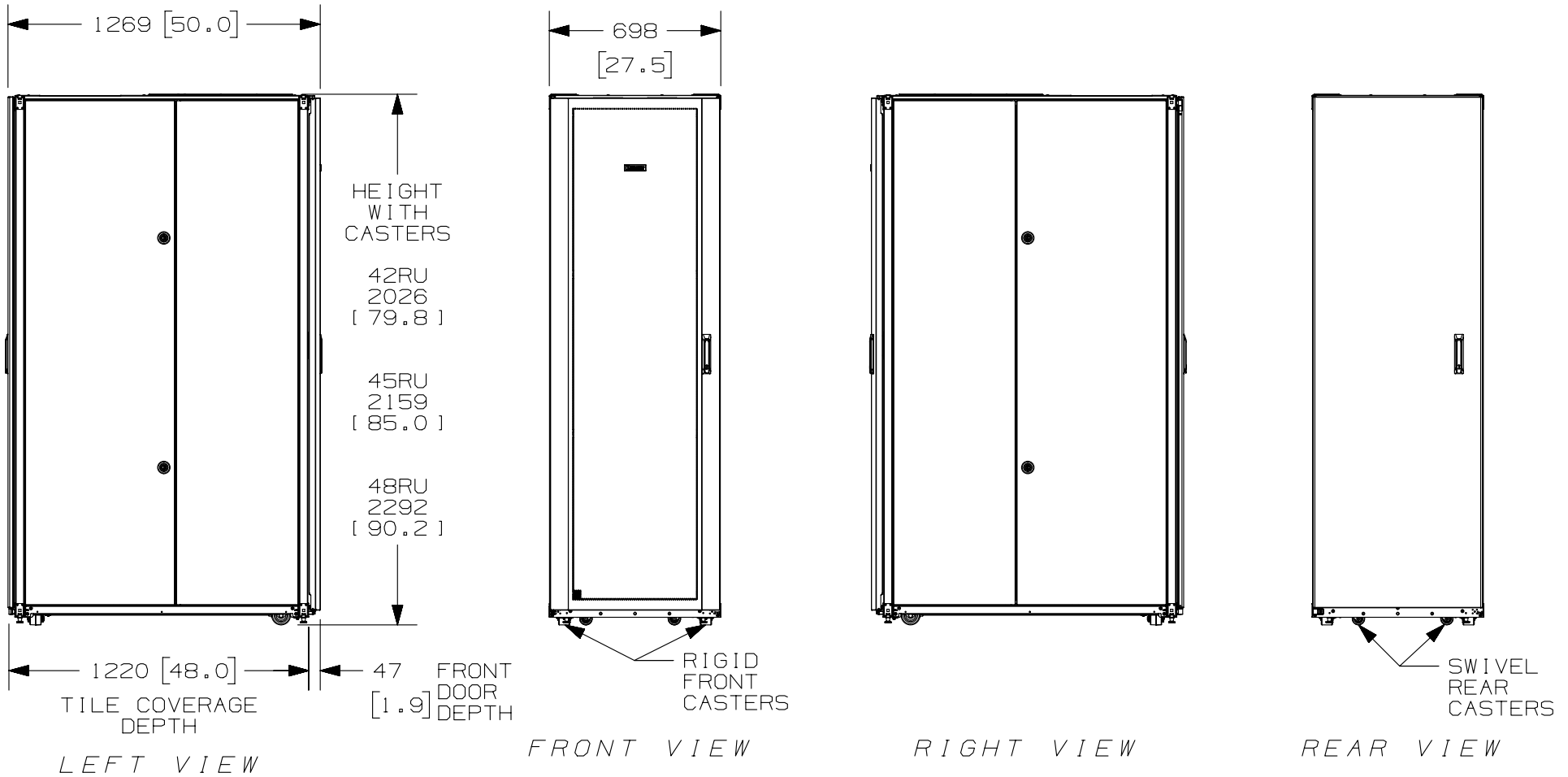
REV	DATE	BY	CHK	APR	DESCRIPTION	ECN
01A	12-05-14	PBS	ADP	TCN	FLOOR MOUNT DIMENSIONS UPDATED	V09000BX
00A	5-24-13	MDCA	JDW	JDWE	RELEASED TO PRODUCTION	12V343SR-DC

TITLE		NET-ACCESS S TYPE VED READY CABINET 700mm WIDE X 1200mm DEEP FAMILY		
		CUSTOMER DRAWING		
ITEM REVISION NAME		12V343SR/01.PRT		
DATASET FILE NAME		12V343SR_DC/01A.PRT		
		MATERIAL: N/A		
		DRAWING NUMBER: 12V343SR-DC		
DRAWN BY	DATE	CHK	SCALE	SIZE
MDCA	5-24-13		NONE	A



THIRD ANGLE PROJECTION

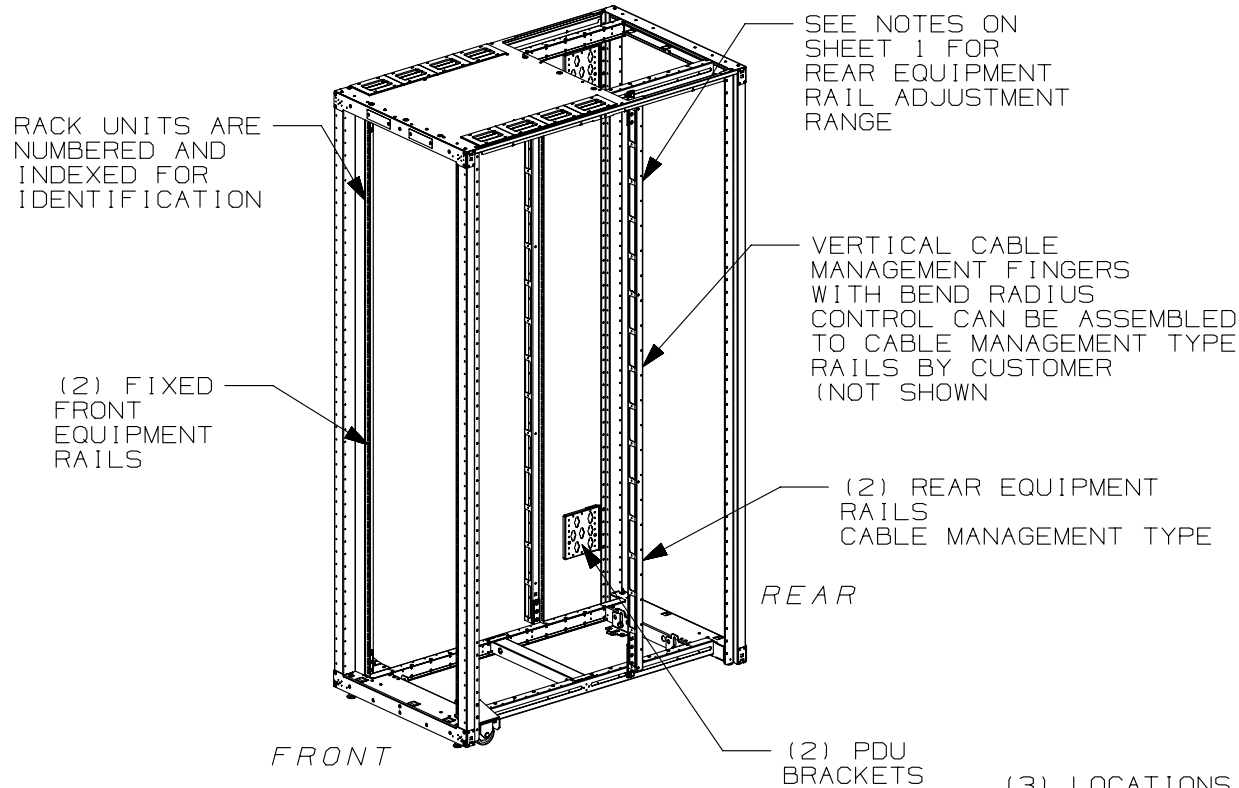
THIS COPY IS PROVIDED ON A RESTRICTED BASIS AND IS NOT TO BE USED IN ANY WAY DETRIMENTAL TO THE INTERESTS OF PANDUIT CORP.



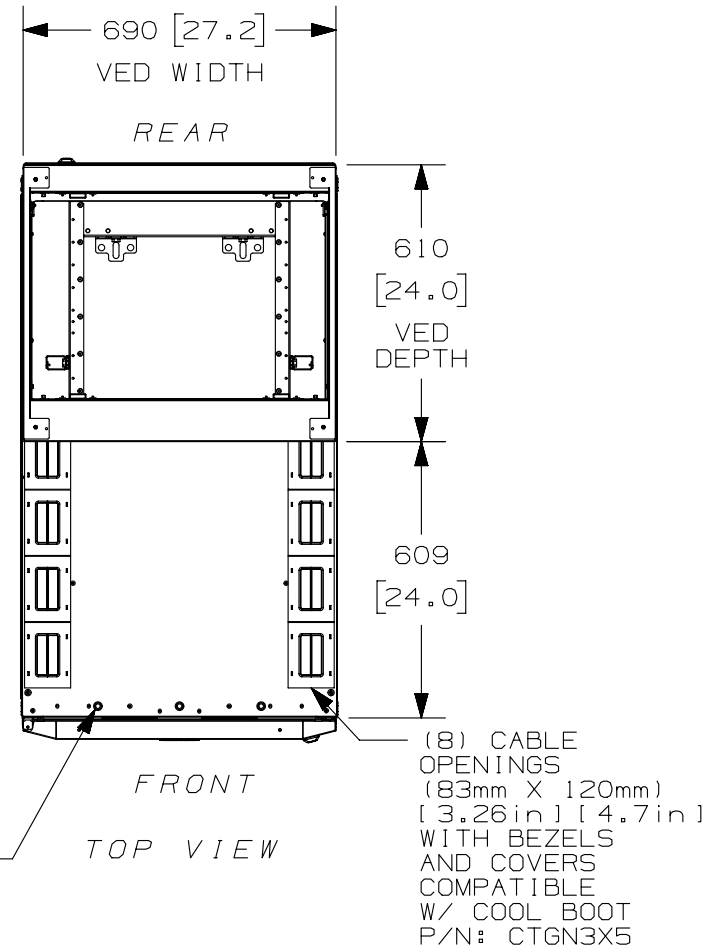
REV	DATE	BY	CHK	APR	DESCRIPTION	ECN
01A	12-05-14	PBS	ADP	TCN	SEE SHEET 1 OF 5 FOR REVISIONS	V09000BX
00A	5-24-13	MDCA	JDW	JDWE	SEE SHEET 1 OF 5 FOR REVISIONS	12V343SR-DC

TITLE NET-ACCESS S TYPE VED READY CABINET 700mm WIDE X 1200mm DEEP FAMILY CUSTOMER DRAWING		PANDUIT
ITEM REVISION NAME 12V343SR/01.PRT		
DATASET FILE NAME 12V343SR_DC/01A.PRT		
MATERIAL: N/A		DRAWING NUMBER: 12V343SR-DC
THIRD ANGLE PROJECTION	DRAWN BY MDCA	DATE 5-24-13
CHK	SCALE NONE	SHT 3 OF 5
SIZE A		

THIS COPY IS PROVIDED ON A RESTRICTED BASIS AND IS NOT TO BE USED IN ANY WAY DETRIMENTAL TO THE INTERESTS OF PANDUIT CORP.



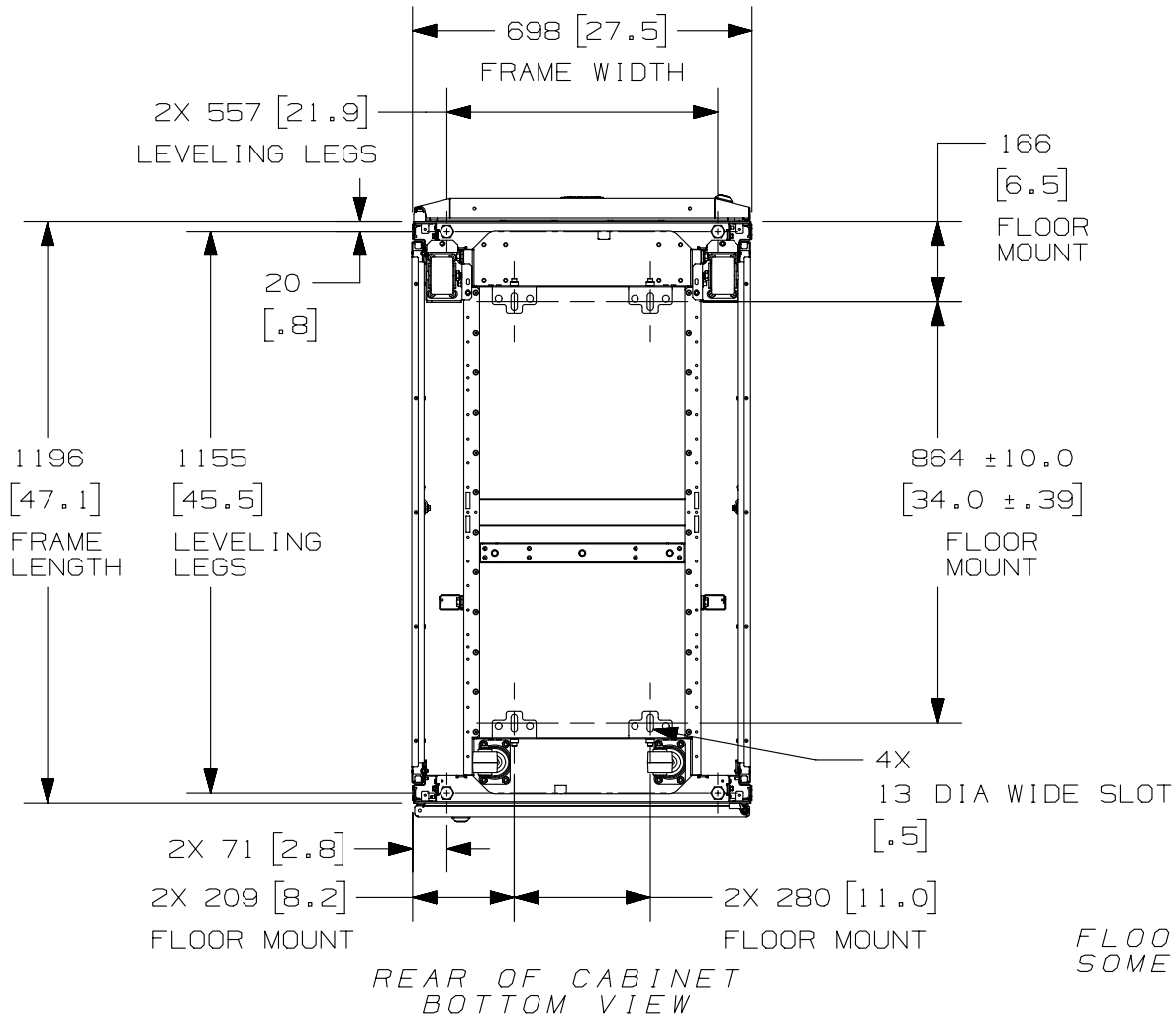
FRONT DOOR, REAR DOOR, AND SIDE PANELS NOT SHOWN



REV	DATE	BY	CHK	APR	DESCRIPTION	ECN
01A	12-05-14	PBS	ADP	TCN	SEE SHEET 1 OF 5 FOR REVISIONS	V09000BX
00A	5-24-13	MDCA	JDW	JDWE	SEE SHEET 1 OF 5 FOR REVISIONS	12V343SR-DC

TITLE		NET-ACCESS S TYPE VED READY CABINET 700mm WIDE X 1200mm DEEP FAMILY		
		CUSTOMER DRAWING		
ITEM REVISION NAME		12V343SR/01.PRT		
DATASET FILE NAME		12V343SR_DC/01A.PRT		
MATERIAL:		N/A		
DRAWING NUMBER:		12V343SR-DC		
THIRD ANGLE PROJECTION				
DRAWN BY	DATE	CHK	SCALE	SIZE
MDCA	5-24-13		NONE	A

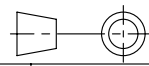
THIS COPY IS PROVIDED ON A RESTRICTED BASIS AND IS NOT TO BE USED IN ANY WAY DETRIMENTAL TO THE INTERESTS OF PANDUIT CORP.



FLOOR MOUNTING HOLE LOCATIONS - SOME PARTS REMOVED FOR CLARITY

REV	DATE	BY	CHK	APR	DESCRIPTION	ECN
01A	12-05-14	PBS	ADP	TCN	SEE SHEET 1 OF 5 FOR REVISIONS	V09000BX
00A	5-24-13	MDCA	JDW	JDWE	SEE SHEET 1 OF 5 FOR REVISIONS	12V343SR-DC

TITLE		NET-ACCESS S TYPE VED READY CABINET 700mm WIDE X 1200mm DEEP FAMILY		
		CUSTOMER DRAWING		
ITEM REVISION NAME		12V343SR/01.PRT		
DATASET FILE NAME		12V343SR_DC/01A.PRT		
UNLESS OTHERWISE SPECIFIED, DIMENSIONAL TOLERANCES ARE:		MATERIAL:		
		N/A		
		DRAWING NUMBER:		12V343SR-DC
DRAWN BY	DATE	CHK	SCALE	SIZE
MDCA	5-24-13		NONE	A



THIRD ANGLE PROJECTION