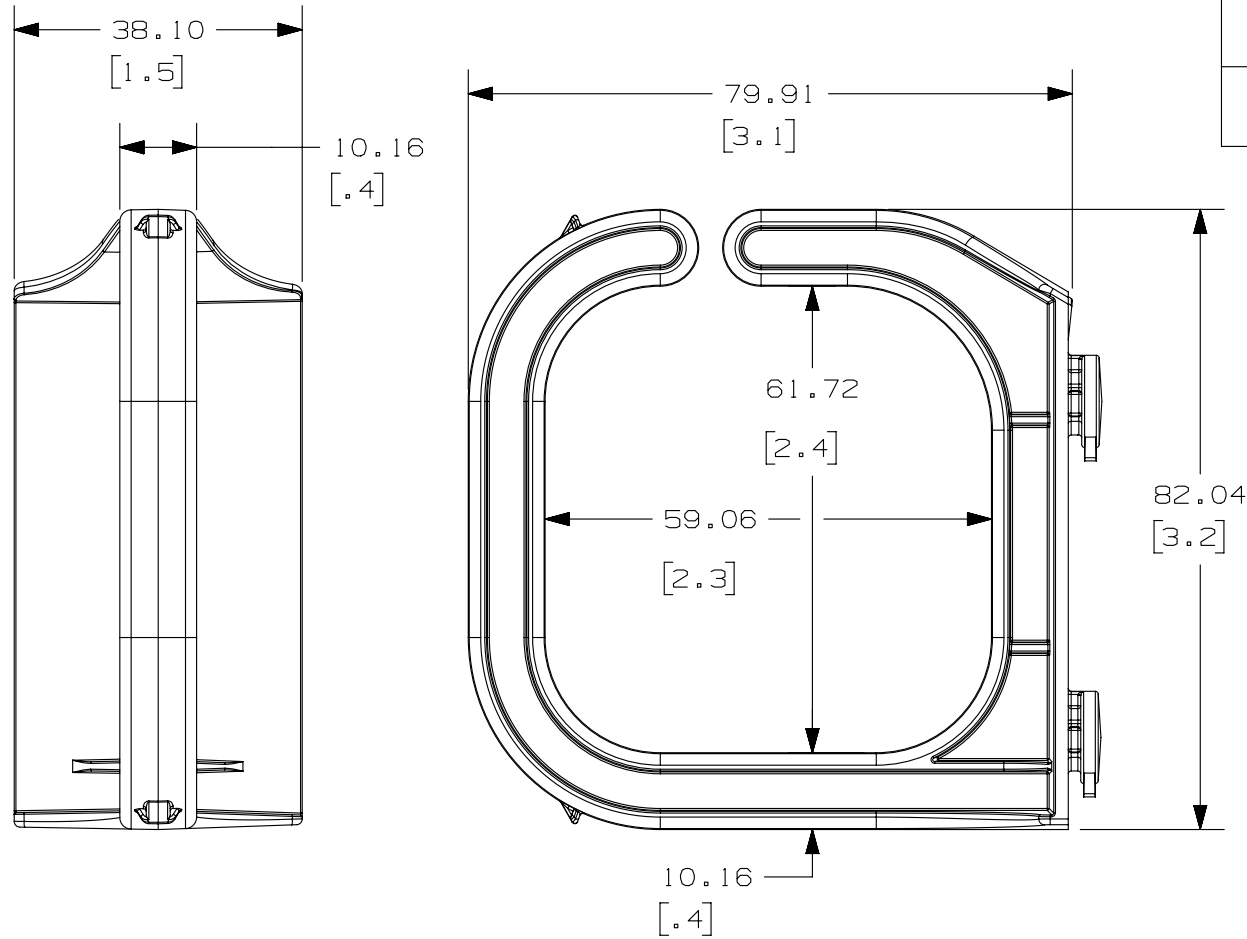


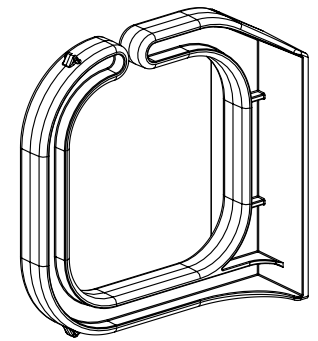
THIS COPY IS PROVIDED ON A RESTRICTED BASIS AND IS NOT TO BE USED IN ANY WAY DETRIMENTAL TO THE INTERESTS OF PANDUIT CORP.



PANDUIT P/N	WEIGHT
S2DR	181.44 Kg/EACH 0.40 LBS/EACH

NOTES:

- VISIT OUR ON-LINE CATALOG AT [WWW.PANDUIT.COM](http://WWW.PANDUIT.COM) FOR A LIST OF CURRENT PARTS APPLICABLE FOR USE WITH THIS PRODUCT.
- PRIMARY DIMENSIONS ARE IN MILLIMETERS (mm).
- PARTS SUPPLIED:  
(8) - CMDRH2 D-RING  
(1) - INSTRUCTION SHEET
- COMPATIBLE WITH S2BRK12 AND S2BRK6.



REV	DATE	BY	CHK	APR	DESCRIPTION	ECN
OOA	7-11-13	PBS	RCHA	JDWE	RELEASED TO PRODUCTION	12V343ZK-DC

TITLE S2DR D-RING KIT			
CUSTOMER DRAWING			
ITEM REVISION NAME 12V343ZK/00.PRT		MATERIAL/COLOR:	
DATASET FILE NAME 12V343ZK_DC/00A.PRT		DRAWING NUMBER: 12V343ZK-DC	
UNLESS OTHERWISE SPECIFIED, DIMENSIONAL TOLERANCES ARE:			<p>THIRD ANGLE PROJECTION</p>
INCHES	METRIC - MILLIMETER	ANGLE	
X.X +/- 0.03	X +/- 0.8	+/- 1°	
X.XX +/- 0.018	X.X +/- 0.46		
X.XXX +/- 0.007	X.XX +/- 0.18		
DRAWN BY PBS	DATE 7-11-13	CHK RCHA	SCALE NONE
SHT 1 OF 1		SIZE A	