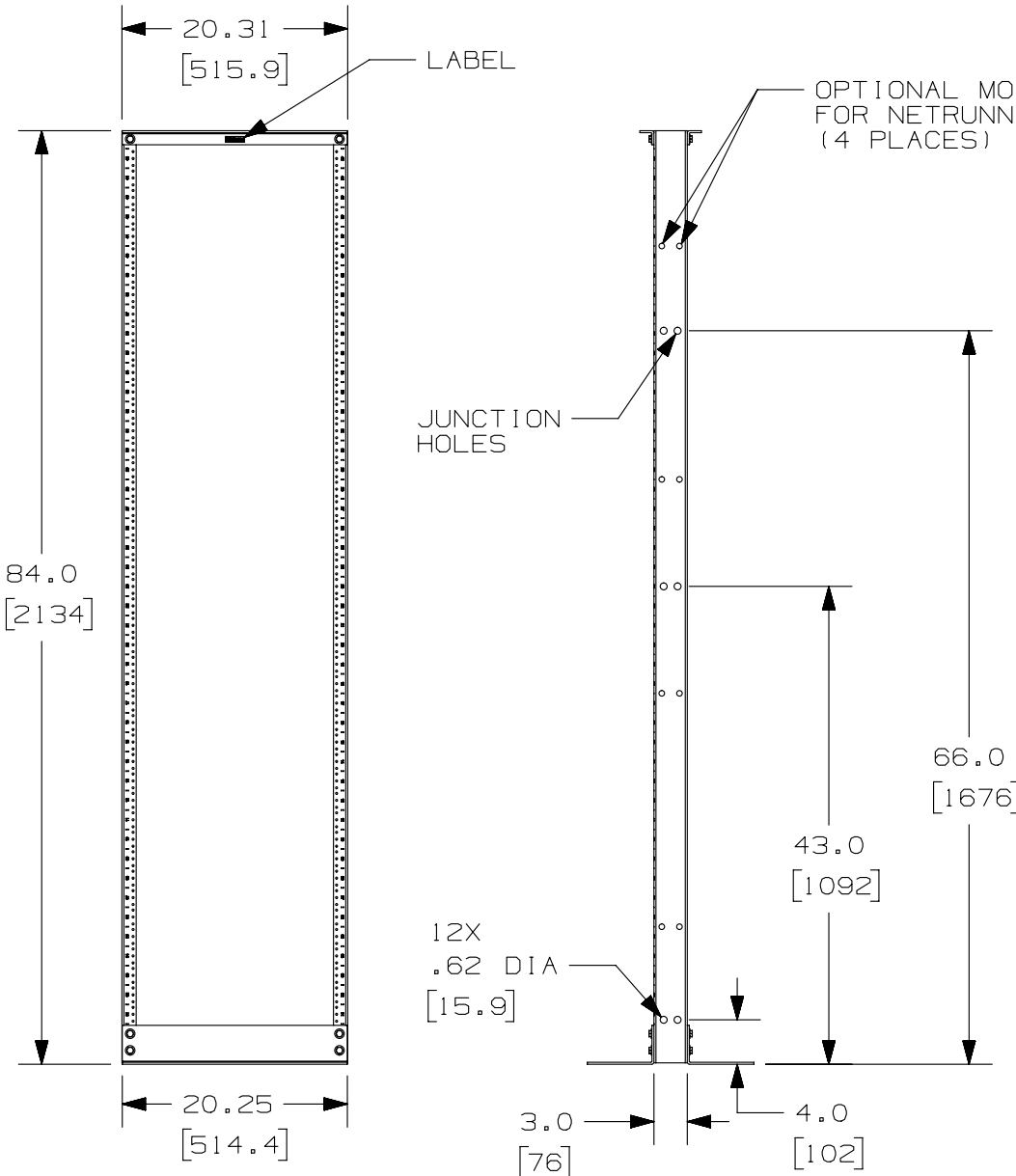


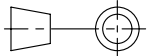
THIS COPY IS PROVIDED ON A RESTRICTED BASIS AND IS NOT TO BE USED IN ANY WAY DETRIMENTAL TO THE INTERESTS OF PANDUIT CORP.



PANDUIT P/N	WEIGHT
R2PS	53 LBS/EACH 24.0 Kg/EACH

NOTES:

- CAN BE USED WITH ANY INDUSTRY STANDARD 19" COMPONENT IN ADDITION TO ALL PANDUIT CABLE MANAGEMENT AND PATCH PANEL PRODUCTS.
- WILL HOLD UP TO 45 SINGLE RACK SPACINGS.
- EIA HOLE SPACING ON UPRIGHT CHANNELS: .625, .625, .500, .625, .625, .500, ETC.
- ASSEMBLY IS REQUIRED.
- RACK PART THICKNESSES:
 - UPRIGHT CHANNELS (11 GA): WEB- .125±.03
 FLANGE .125±.03
 - TOP BRACKET (7 GA): .179±.03
 - BASE BRACKET (7 GA): .179±.03
- DIMENSIONS IN PARENTHESES ARE METRIC.
- ALL ASSEMBLY HARDWARE INCLUDED:
 - (12) 3/8-16 X 1" BLACK HEX HEAD CAP SCREW
 - (24) 3/8" PAINT PIERCING GROUNDING WASHER
 - (1) TUBE OF ANTI-OXIDIZING PASTE
 - (12) 3/8-16 BLACK HEX NUT
 - (24) 12-24 X .5" SLOTTED PAN HEAD STEEL SCREW
- LOAD RATING-1000 LBS.
- RU SPACING NUMBERS ARE CLEARLY PRINTED ON MOUNTING RAILS. RU NUMBERING IS BOTTOM-UP, WITH RU #1 AT BOTTOM AND RU #45 AT TOP.

TITLE	
7 FOOT STEEL CABLE MANAGEMENT RACK (R2PS)	
CUSTOMER DRAWING	
ITEM REVISION NAME	09V064AE/01
DATASET FILE NAME	09V064AE_DC/01A
UNLESS OTHERWISE SPECIFIED, DIMENSIONAL TOLERANCES ARE: IN (mm)	MATERIAL:
.X ± .XX ±	STEEL
.XXX ± ANGLES ±	DRAWING NUMBER:
 THIRD ANGLE PROJECTION	09V064AE - DC
DRAWN BY	DATE
BAME	5-28-10
CHK	SCALE
DPN	NONE
SHT 1 OF 2	
A	

REV	DATE	BY	CHK	APR	DESCRIPTION	ECN
01A	11-14-13	BAME	PM	CMK	UPDATED VIEWS	09V054AE-DC
00A	5-28-10	BAME	DPN	CMK	DRAWING RELEASED	09V064AE-DC

D10100DA/16

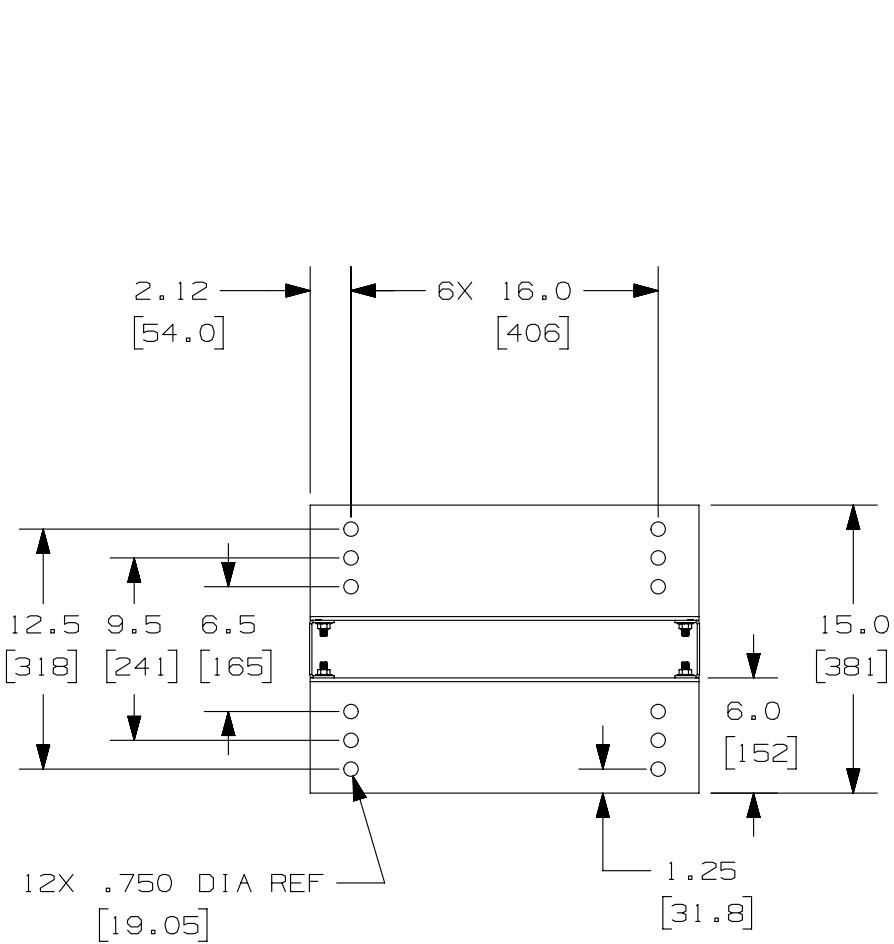
2

1

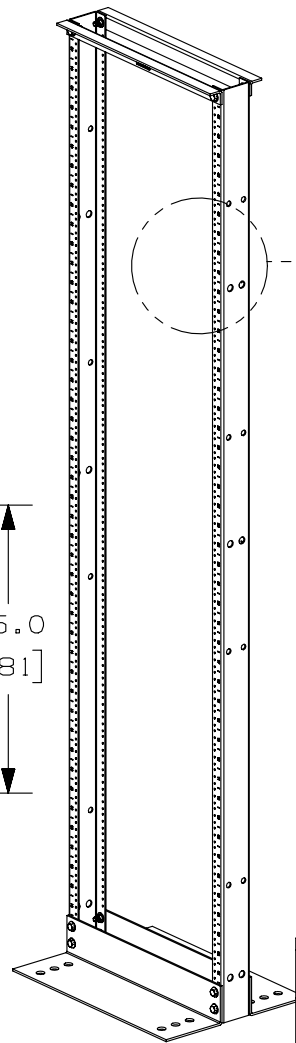
2

1

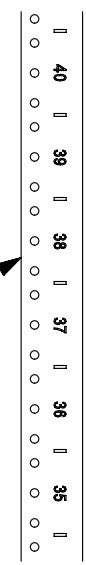
THIS COPY IS PROVIDED ON A RESTRICTED BASIS AND IS NOT TO BE USED IN ANY WAY DETRIMENTAL TO THE INTERESTS OF PANDUIT CORP.



12X .750 DIA REF [19.05]
 FLOOR MOUNTING HOLE
 (2 PLACES ON EACH
 BASE BRACKET)



CLOSE UP VIEW
 OF VERTICAL CHANNEL



TITLE		7 FOOT STEEL CABLE MANAGEMENT RACK (R2PS)	
		CUSTOMER DRAWING	
ITEM REVISION NAME		09V064AE/01	
DATASET FILE NAME		09V064AE_DC/01A	
UNLESS OTHERWISE SPECIFIED, DIMENSIONAL TOLERANCES ARE: IN (mm)		MATERIAL:	
.X ± .XX ±		STEEL	
.XXX ± ANGLES ±		DRAWING NUMBER:	
THIRD ANGLE PROJECTION		09V064AE - DC	
DRAWN BY	DATE	CHK	SCALE
BAME	5-28-10	DPN	NONE
SHT 2 OF 2			SIZE
			A

REV	DATE	BY	CHK	APR	DESCRIPTION	ECN
01A	11-14-13	BAME	PM	CMK	SEE SHEET 1 OF 2 FOR REVISIONS	09V064AE-DC
00A	5-28-10	BAME	DPN	CMK	SEE SHEET 1 OF 2 FOR REVISIONS	09V064AE-DC

D101000DA/16

2

1

2

1